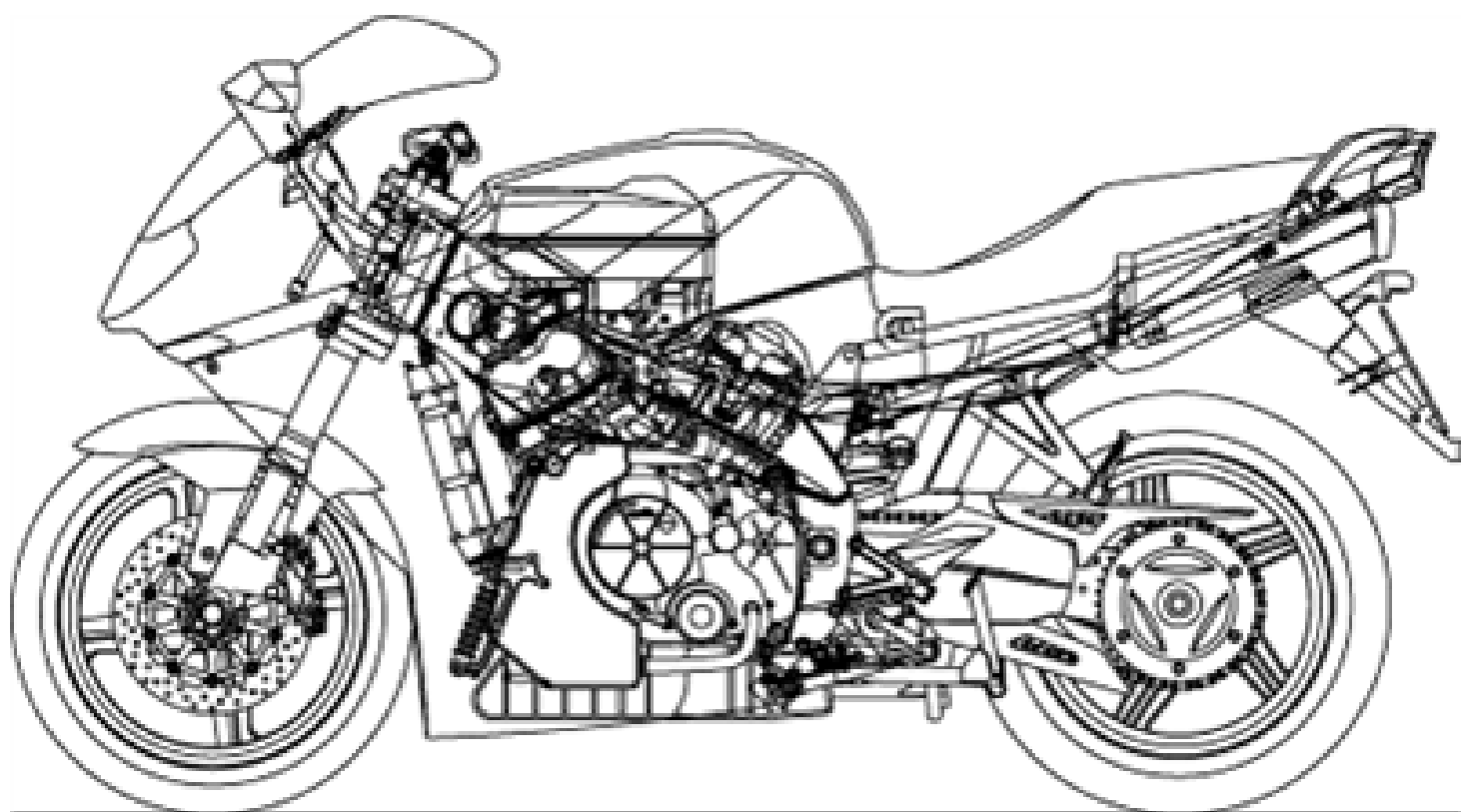




PIAGGIO & C.s.p.a.

aprilia

SPARE PARTS CATALOGUE



RST 1000 Futura 2001-2003

Chassis prefix: ZD4PW

Engine prefix:

RST FUTURA

3931

Index

Finished products.....	4
Alphanumeric index.....	7
FRAME.....	14
Table 28.01 - Frame I.....	14
Table 28.02 - Frame II.....	15
Table 28.03 - Foot rests.....	16
Table 28.04 - Central stand.....	17
Table 28.05 - Steering.....	18
Table 28.06 - Front fork I.....	19
Table 28.07 - Showa front fork - Hubs, sleeves.....	20
Table 28.08 - Marzocchi front fork - Hubs, sleeves.....	21
Table 28.09 - Swing arm.....	22
Table 28.10 - Connecting rod - rear shock abs.....	23
Table 28.11 - Front body - Front fairing.....	24
Table 28.12 - Front body -Lockups.....	27
Table 28.13 - Front body - Duct.....	29
Table 28.14 - Front body - Front mudguard.....	30
Table 28.15 - Central body - Upper fairings.....	32
Table 28.16 - Central body - Lower fairings.....	34
Table 28.17 - Fuel tank.....	37
Table 28.18 - Saddle.....	39
Table 28.19 - Undersaddle.....	42
Table 28.20 - Rear body.....	43
Table 28.21 - Side cases.....	45
Table 28.22 - Dashboard.....	47
Table 28.23 - Handlebar - Controls.....	49
Table 28.24 - Clutch pump.....	50
Table 28.25 - Front master cilinder.....	51
Table 28.26 - Front brake caliper.....	52
Table 28.27 - Rear master cylinder.....	53
Table 28.28 - Rear brake caliper.....	54
Table 28.29 - Cooling system.....	55
Table 28.30 - Water coolers.....	56
Table 28.31 - Expansion tank.....	57
Table 28.32 - Oil tank.....	58
Table 28.33 - Fuel vapour recover system.....	60
Table 28.34 - Air box.....	62
Table 28.35 - Fuel pump.....	64
Table 28.37 - Exhaust pipe.....	65
Table 28.38 - Front wheel.....	67
Table 28.39 - Rear wheel I.....	68
Table 28.40 - Rear wheel II.....	69
Table 28.41 - Headlight.....	71

Table 28.42 - Taillight.....	72
Table 28.43 - Front electrical system.....	73
Table 28.44 - Central electrical system.....	74
Table 28.45 - Rear electrical system.....	75
Table 28.46 - Lock hardware kit.....	76
Table 28.47 - Plate set-decal-op.handbooks.....	78
ENGINE.....	81
Table 29.36 - Engine.....	81
Table 29.48 - Crankcases I.....	83
Table 29.49 - Crankcases II.....	84
Table 29.50 - Oil pump.....	86
Table 29.51 - Drive shaft.....	87
Table 29.52 - Cylinder - Piston.....	88
Table 29.53 - Valves cover.....	89
Table 29.54 - Cylinder head and valves.....	90
Table 29.55 - Valves pads.....	91
Table 29.56 - Front cylinder timing system.....	93
Table 29.57 - Rear cylinder timing system.....	94
Table 29.58 - Gear box selector.....	96
Table 29.59 - Gear box.....	97
Table 29.60 - Clutch I.....	98
Table 29.61 - Clutch II.....	99
Table 29.62 - Water pump.....	100
Table 29.63 - Ignition unit.....	101
Table 29.64 - Throttle body.....	102
Table 29.65 - Sealing and lubricating agents.....	103
ACCESSORIES.....	104
Table 30.66 - Acc.-Top/cases,side cases var.....	104
Table 30.67 - Acc. - Mechanics anti-theft.....	106

Finished products

Code	Validity
667A0US01UNC	
667C0US01UNC	
667C0US04UNC	
AP60100ES09	
AP60100FR03	
AP66700AT01	
AP66700AT03	
AP66700AU01	
AP66700AU02	
AP66700AU03	
AP66700AU04	
AP66700AU05	
AP66700BE01	
AP66700BE02	
AP66700BE03	
AP66700BE04	
AP66700CH01	
AP66700CH03	
AP66700CZ01	
AP66700CZ02	
AP66700CZ03	
AP66700DE01	
AP66700DE02	
AP66700DE03	
AP66700DE04	
AP66700DE05	
AP66700DE06	
AP66700DK01	
AP66700DK02	
AP66700DK03	
AP66700DK04	
AP66700DK05	
AP66700DK06	
AP66700ES01	
AP66700ES02	
AP66700ES03	
AP66700ES04	
AP66700ES05	
AP66700ES06	
AP66700EU02	
AP66700EU05	
AP66700GB01	

Code	Validity
AP66700GB02	
AP66700GB03	
AP66700GB04	
AP66700GB05	
AP66700GB06	
AP66700IT01	
AP66700IT02	
AP66700IT03	
AP66700IT04	
AP66700IT05	
AP66700IT06	
AP66700JP02	
AP66700JP03	
AP66700JP04	
AP66700NL01	
AP66700NL02	
AP66700NL03	
AP66700NL04	
AP66700NL05	
AP66700PT01	
AP66700PT03	
AP66700US01	
AP66700US02	
AP66700US03	
AP66701BE01	
AP66701FR01	
AP66701FR02	
AP66701FR03	
AP66701FR05	
AP66701FR06	
AP667A0CZ01	
AP667A0CZ02	
AP667A0CZ03	
AP667A0CZ04	
AP667A0US01	
AP667A0US02	
AP667A0US03	
AP667A0US04	
AP667B0CZ01	
AP667B0CZ02	
AP667B0CZ04	
AP667B0US01	
AP667B0US02	
AP667B0US04	
AP667C0CZ01	

Code	Validity
AP667C0CZ02	
AP667C0CZ04	
AP667C0US01	
AP667C0US02	
AP667C0US04	
AP7999028	

Code	No. table	Pos.	Code	No. table	Pos.	Code	No. table	Pos.
0000000	28.38	1	AP0233780	29.62	11	AP0244211	29.58	10
0000000	28.39	1	AP0233790	29.62	10	AP0245330	29.50	15
0000000	29.65	10	AP0233791	29.62	10	AP0245436	29.52	6
0000000	29.65	9	AP0233793	29.62	10	AP0245440	29.58	18
AP0210415	29.49	4	AP0233820	29.48	9	AP0245815	29.59	4
AP0210416	29.49	4	AP0233822	29.48	9	AP0245830	29.60	2
AP0211620	29.50	5	AP0236252	29.52	9	AP0245840	29.51	13
AP0211631	29.50	8	AP0236300	29.56	5	AP0245860	29.51	10
AP0211655	29.63	8	AP0236300	29.57	5	AP0246055	29.57	17
AP0211662	29.53	5	AP0236310	29.56	6	AP0246570	29.51	5
AP0211663	29.53	5	AP0236310	29.57	6	AP0247614	29.61	16
AP0211667	29.53	3	AP0236320	29.56	3	AP0247940	29.58	17
AP0211668	29.53	3	AP0236365	29.58	22	AP0247970	29.61	9
AP0211681	29.57	4	AP0236370	29.49	26	AP0247972	29.61	21
AP0211756	29.57	25	AP0236380	29.57	9	AP0247974	29.61	20
AP0211766	29.56	4	AP0238130	29.61	18	AP0247980	29.56	17
AP0211778	29.62	24	AP0238135	29.61	19	AP0247980	29.57	27
AP0216222	29.52	5	AP0238140	29.61	22	AP0248375	29.58	12
AP0217346	29.51	2	AP0239247	29.58	13	AP0250130	29.57	3
AP0219340	29.57	20	AP0239370	29.61	8	AP0250140	29.63	21
AP0219350	29.51	21	AP0239390	29.61	6	AP0250311	29.53	6
AP0219360	29.51	12	AP0239420	29.58	16	AP0250450	29.49	24
AP0219365	29.51	8	AP0239430	29.58	15	AP0250640	29.53	10
AP0220372	29.51	15	AP0239447	29.50	10	AP0251100	29.53	11
AP0220380	29.56	13	AP0239450	29.58	23	AP0251160	29.63	13
AP0220380	29.57	13	AP0239480	29.60	9	AP0251830	29.53	8
AP0220385	29.56	12	AP0239510	29.54	11	AP0253645	29.54	12
AP0220385	29.57	12	AP0239520	29.54	19	AP0253921	29.54	3
AP0220390	29.59	1	AP0240036	29.60	11	AP0253926	29.54	2
AP0220400	29.59	10	AP0240081	29.53	7	AP0253956	29.54	14
AP0220410	29.62	4	AP0240170	29.53	16	AP0253965	29.54	17
AP0220423	29.50	1	AP0240181	29.62	25	AP0253974	29.55	1
AP0220435	29.58	26	AP0240275	29.57	29	AP0253975	29.55	1
AP0220437	29.58	1	AP0240331	29.54	10	AP0253976	29.55	1
AP0220440	29.57	1	AP0240331	29.62	21	AP0253977	29.55	1
AP0220455	29.60	6	AP0240385	29.63	24	AP0253978	29.55	1
AP0222500	29.62	18	AP0240400	29.56	1	AP0253979	29.55	1
AP0222512	29.62	19	AP0240960	29.56	18	AP0253980	29.55	1
AP0224090	29.53	17	AP0241081	29.49	9	AP0253981	29.55	1
AP0227180	29.60	12	AP0241261	29.49	29	AP0253982	29.55	1
AP0227442	29.58	20	AP0241501	29.49	15	AP0253983	29.55	1
AP0227685	29.62	6	AP0241531	29.49	12	AP0253984	29.55	1
AP0227714	29.58	27	AP0241541	29.63	6	AP0253985	29.55	1
AP0227716	29.58	11	AP0241560	29.53	14	AP0253986	29.55	1
AP0229301	29.48	4	AP0241580	29.49	1	AP0253987	29.55	1
AP0229301	29.63	16	AP0241601	29.53	13	AP0253988	29.55	1
AP0229385	29.48	6	AP0241625	29.53	1	AP0253990	29.54	13
AP0229385	29.58	14	AP0241631	29.63	9	AP0254011	29.54	16
AP0230415	29.49	8	AP0241650	29.50	11	AP0254021	29.54	15
AP0230415	29.62	23	AP0241782	29.49	7	AP0254030	29.55	1
AP0230510	29.54	18	AP0241811	29.62	14	AP0254031	29.55	1
AP0232210	29.54	5	AP0241811	29.63	15	AP0254032	29.55	1
AP0232430	29.50	13	AP0241816	29.63	11	AP0254033	29.55	1
AP0232430	29.62	5	AP0241821	28.24	15	AP0254034	29.55	1
AP0232625	29.49	14	AP0241821	29.49	28	AP0254035	29.55	1
AP0232730	29.50	2	AP0241821	29.50	12	AP0254036	29.55	1
AP0232970	29.50	4	AP0241821	29.54	4	AP0254037	29.55	1
AP0233711	29.48	9	AP0241854	29.49	6	AP0254038	29.55	1
AP0233721	29.51	23	AP0241932	29.49	2	AP0254039	29.55	1
AP0233722	29.51	23	AP0241932	29.58	9	AP0254040	29.55	1
AP0233723	29.51	23	AP0242091	29.53	4	AP0254041	29.55	1
AP0233740	29.48	8	AP0242206	29.61	15	AP0254042	29.55	1
AP0233741	29.48	8	AP0242851	29.53	18	AP0254043	29.55	1
AP0233743	29.48	8	AP0242874	29.51	16	AP0256187	29.49	5
AP0233745	29.48	7	AP0242940	29.51	14	AP0256497	29.49	20
AP0233746	29.48	7	AP0242950	29.60	3	AP0256510	29.50	9
AP0233748	29.48	7	AP0244211	29.57	8	AP0256526	29.49	21

Code	No. table	Pos.	Code	No. table	Pos.	Code	No. table	Pos.
AP0256680	29.50	3	AP0627270	29.63	7	AP0840882	29.63	22
AP0258310	29.58	6	AP0627280	29.60	15	AP0841841	29.62	16
AP0258325	29.58	8	AP0627530	29.60	10	AP0845030	29.56	10
AP0258351	29.58	4	AP0627910	29.61	27	AP0845030	29.57	30
AP0258361	29.58	3	AP0632010	29.48	2	AP0850050	29.49	23
AP0258375	29.58	5	AP0632010	29.62	7	AP0897651	29.65	1
AP0258380	29.58	2	AP0632070	29.59	7	AP0898011	29.65	7
AP0259500	29.49	27	AP0632124	29.49	17	AP0899784	29.65	3
AP0259517	29.60	7	AP0632130	29.60	8	AP0899788	29.65	2
AP0259520	29.60	1	AP0632161	29.56	8	AP0922245	29.53	15
AP0259530	29.61	3	AP0632161	29.57	23	AP0927863	29.54	9
AP0259535	29.61	26	AP0634470	29.50	6	AP0927945	29.54	7
AP0259580	29.61	10	AP0634470	29.61	2	AP0929500	29.48	3
AP0259582	29.61	17	AP0634475	29.61	14	AP0929500	29.57	26
AP0259587	29.61	25	AP0634483	29.50	14	AP0929650	29.48	10
AP0260890	29.60	14	AP0634490	29.62	3	AP0929650	29.52	8
AP0265040	29.63	23	AP0634500	29.51	19	AP0929930	29.48	5
AP0267150	29.53	9	AP0634500	29.62	2	AP0929930	29.51	20
AP0268740	29.49	10	AP0634595	29.63	1	AP0929930	29.62	1
AP0281222	29.59	19	AP0634600	29.63	17	AP0932335	29.49	19
AP0294352	29.63	20	AP0634610	29.51	18	AP0932335	29.58	7
AP0294356	29.63	19	AP0634620	29.59	17	AP0932428	29.49	18
AP0295662	29.51	1	AP0634640	29.59	9	AP0932585	29.49	11
AP0295662	29.52	1	AP0634655	29.59	11	AP0940560	29.57	7
AP0295760	29.51	22	AP0634660	29.59	5	AP0940580	29.61	11
AP0295760	29.57	24	AP0634670	29.59	13	AP0940590	29.56	2
AP0295765	29.51	7	AP0634680	29.59	14	AP0940631	29.56	11
AP0295765	29.56	9	AP0634695	29.59	2	AP0940631	29.57	28
AP0295770	29.51	9	AP0634700	29.59	15	AP0940637	29.52	12
AP0295775	29.57	18	AP0634710	29.59	8	AP0940741	29.58	25
AP0295780	29.51	11	AP0634720	29.59	12	AP0941121	29.57	10
AP0295780	29.61	4	AP0634730	29.56	14	AP0941835	29.61	23
AP0295782	29.61	24	AP0634730	29.57	14	AP0941935	29.63	12
AP0295790	29.61	5	AP0634735	29.56	19	AP0942570	29.57	21
AP0295792	29.61	13	AP0634740	29.63	18	AP0945665	29.58	21
AP0295835	29.63	2	AP0640400	29.51	4	AP0946015	29.51	6
AP0295858	29.52	3	AP0640450	29.52	10	AP0950141	29.62	17
AP0296170	29.65	8	AP0640581	29.53	20	AP0956169	29.62	26
AP0296961	29.48	1	AP0641505	29.63	5	AP0956275	29.50	7
AP0297386	29.65	6	AP0650210	29.53	19	AP8101372	28.02	9
AP0297433	29.65	5	AP0650240	29.62	20	AP8101372	28.30	6
AP0297434	29.65	4	AP0650310	29.62	12	AP8101595	28.27	14
AP0297942	28.45	9	AP0650320	29.49	25	AP8101595	28.33	9
AP0297955	29.56	15	AP0650330	29.62	8	AP8101595	28.34	28
AP0297955	29.57	19	AP0650335	29.49	22	AP8101595	29.36	30
AP0427106	29.59	16	AP0650340	29.63	14	AP8101744	28.38	3
AP0430622	29.52	11	AP0650345	29.53	2	AP8101744	28.39	3
AP0430782	29.63	10	AP0650370	29.62	13	AP8101861	28.03	14
AP0440260	29.51	3	AP0650390	29.52	7	AP8101927	28.29	17
AP0442130	29.60	16	AP0650500	29.49	3	AP8101927	28.31	13
AP0610151	29.62	9	AP0659110	29.63	3	AP8102349	28.32	18
AP0613405	29.54	1	AP0659125	29.63	4	AP8102375	28.33	16
AP0613406	29.54	1	AP0660010	29.53	21	AP8102376	28.33	18
AP0613407	29.54	8	AP0684310	29.52	2	AP8102377	28.33	14
AP0613408	29.54	8	AP0684311	29.52	2	AP8102377	29.36	31
AP0613417	29.52	4	AP0827110	29.59	18	AP8102378	28.31	10
AP0613418	29.52	4	AP0827305	29.57	11	AP8102378	28.33	7
AP0627120	29.59	3	AP0832144	29.49	13	AP8102431	28.29	3
AP0627132	29.59	6	AP0832144	29.58	19	AP8102503	28.17	3
AP0627140	29.61	7	AP0832360	29.57	2	AP8102504	28.11	7
AP0627190	29.56	7	AP0840371	29.56	16	AP8102520	28.33	8
AP0627190	29.57	15	AP0840371	29.57	16	AP8102524	28.04	3
AP0627200	29.51	17	AP0840391	29.57	22	AP8102535	28.17	6
AP0627210	29.58	24	AP0840681	29.62	15	AP8102544	28.01	6
AP0627220	29.61	12	AP0840861	29.49	16	AP8102610	28.34	2
AP0627230	29.60	13	AP0840861	29.62	22	AP8102615	28.31	4
AP0627260	29.61	1	AP0840880	29.54	6	AP8102618	28.32	4

Code	No. table	Pos.	Code	No. table	Pos.	Code	No. table	Pos.
AP8102671	28.12	8	AP8106812	28.34	7	AP8114393	28.23	4
AP8102677	28.29	7	AP8106813	28.34	9	AP8114441	28.46	7
AP8102678	28.33	1	AP8106865	28.35	1	AP8117004	28.18	15
AP8102688	28.33	21	AP8106884	29.64	5	AP8117004	28.42	10
AP8102719	28.33	20	AP8106888	28.35	8	AP8117033	28.31	8
AP8102727	28.33	6	AP8106889	29.64	3	AP8117033	28.41	13
AP8102731	28.32	15	AP8106915	29.60	17	AP8117033	28.42	11
AP8102732	28.29	10	AP8106919	29.36	1	AP8117127	28.17	8
AP8102732	28.31	14	AP8106935	28.24	16	AP8117129	28.14	4
AP8102763	28.34	32	AP8106959	29.60	4	AP8117155	28.15	6
AP8102765	28.29	16	AP8106960	29.60	5	AP8117156	28.15	7
AP8102766	28.34	27	AP8107118	28.40	29	AP8117157	28.16	5
AP8102786	28.32	26	AP8107136	28.40	28	AP8117158	28.16	6
AP8102787	28.23	6	AP8107138	28.40	13	AP8117163	28.19	16
AP8102829	28.35	21	AP8107148	28.40	29	AP8117178	28.19	15
AP8102880	28.46	2	AP8107150	28.40	28	AP8117179	28.17	2
AP8102902	28.01	22	AP8108821	28.39	4	AP8117180	28.19	19
AP8102913	28.46	4	AP8108864	28.39	5	AP8117181	28.19	21
AP8102951	28.30	2	AP8108939	28.38	8	AP8117183	28.19	20
AP8102952	28.30	1	AP8108965	28.39	4	AP8117184	28.19	22
AP8102971	28.35	13	AP8108966	28.39	5	AP8117200	28.41	16
AP8102985	28.33	4	AP8110053	29.36	6	AP8118526	28.23	2
AP8102993	28.47	2	AP8110065	28.10	5	AP8118527	28.23	3
AP8104046	28.46	12	AP8110068	28.10	6	AP8118584	28.03	21
AP8104046	28.46	12	AP8110074	28.23	12	AP8118619	28.23	1
AP8104097	28.29	13	AP8110077	28.05	8	AP8118659	28.24	5
AP8104097	28.30	4	AP8110078	28.09	8	AP8119414	28.37	3
AP8104100	28.32	2	AP8110079	28.09	9	AP8119529	28.37	2
AP8104124	28.31	2	AP8110091	28.40	2	AP8119530	28.37	1
AP8104154	28.46	5	AP8110092	28.40	3	AP8119537	28.37	9
AP8104162	28.47	2	AP8110102	28.40	10	AP8119538	28.37	10
AP8104163	28.47	2	AP8110103	28.10	13	AP8119575	28.37	6
AP8104180	28.47	1	AP8112176	28.43	9	AP8119576	28.37	7
AP8104250	28.34	21	AP8112599	28.22	4	AP8119617	28.03	9
AP8104251	29.36	27	AP8112600	28.30	7	AP8119647	28.37	2
AP8104275	28.46	12	AP8112811	28.44	9	AP8119656	28.37	1
AP8104303	28.47	2	AP8112916	28.19	5	AP8119664	28.37	18
AP8104322	28.47	2	AP8112996	28.27	20	AP8119665	28.37	17
AP8104359	28.11	4	AP8113003	28.24	14	AP8119666	28.37	19
AP8104360	28.11	5	AP8113003	28.25	9	AP8120030	28.02	10
AP8104368	28.11	4	AP8113003	28.26	11	AP8120030	28.02	21
AP8104369	28.11	5	AP8113003	28.27	12	AP8120030	28.30	8
AP8104370	28.11	4	AP8113003	28.28	8	AP8120030	28.32	7
AP8104371	28.11	5	AP8113004	28.32	19	AP8120116	28.33	5
AP8104373	28.35	12	AP8113063	28.25	4	AP8120178	28.23	13
AP8104374	28.35	7	AP8113070	28.26	5	AP8120179	28.33	10
AP8104375	28.35	6	AP8113230	28.24	10	AP8120190	28.23	14
AP8104378	28.11	9	AP8113288	28.27	9	AP8120190	28.32	3
AP8104379	28.11	10	AP8113499	28.27	17	AP8120196	28.32	10
AP8104430	28.47	2	AP8113548	28.28	7	AP8120218	28.44	20
AP8104430	28.47	2	AP8113719	28.24	2	AP8120253	28.34	35
AP8104470	28.11	4	AP8113721	28.26	6	AP8120355	28.31	3
AP8104471	28.11	5	AP8113722	28.26	7	AP8120405	29.36	11
AP8104528	28.46	1	AP8113723	28.26	8	AP8120446	28.32	31
AP8104993	28.35	26	AP8113754	28.26	3	AP8120446	28.34	30
AP8106375	29.36	4	AP8113756	28.28	5	AP8120446	29.36	28
AP8106381	28.24	8	AP8113761	28.24	11	AP8120531	28.19	25
AP8106387	28.32	11	AP8113762	28.24	12	AP8120531	28.31	16
AP8106388	28.32	9	AP8113803	28.25	1	AP8120531	28.44	22
AP8106389	28.32	21	AP8113835	28.39	2	AP8120591	28.12	9
AP8106395	28.34	12	AP8113887	28.38	2	AP8120615	28.34	4
AP8106443	28.35	23	AP8113993	28.25	5	AP8120750	28.44	17
AP8106444	28.35	22	AP8113994	28.25	6	AP8120876	28.34	16
AP8106713	28.24	1	AP8113995	28.25	3	AP8120876	29.36	32
AP8106747	29.36	5	AP8113996	28.24	3	AP8120893	28.17	7
AP8106764	28.33	2	AP8113997	28.24	7	AP8120894	28.17	5
AP8106771	29.64	4	AP8114392	28.23	5	AP8120894	28.17	5

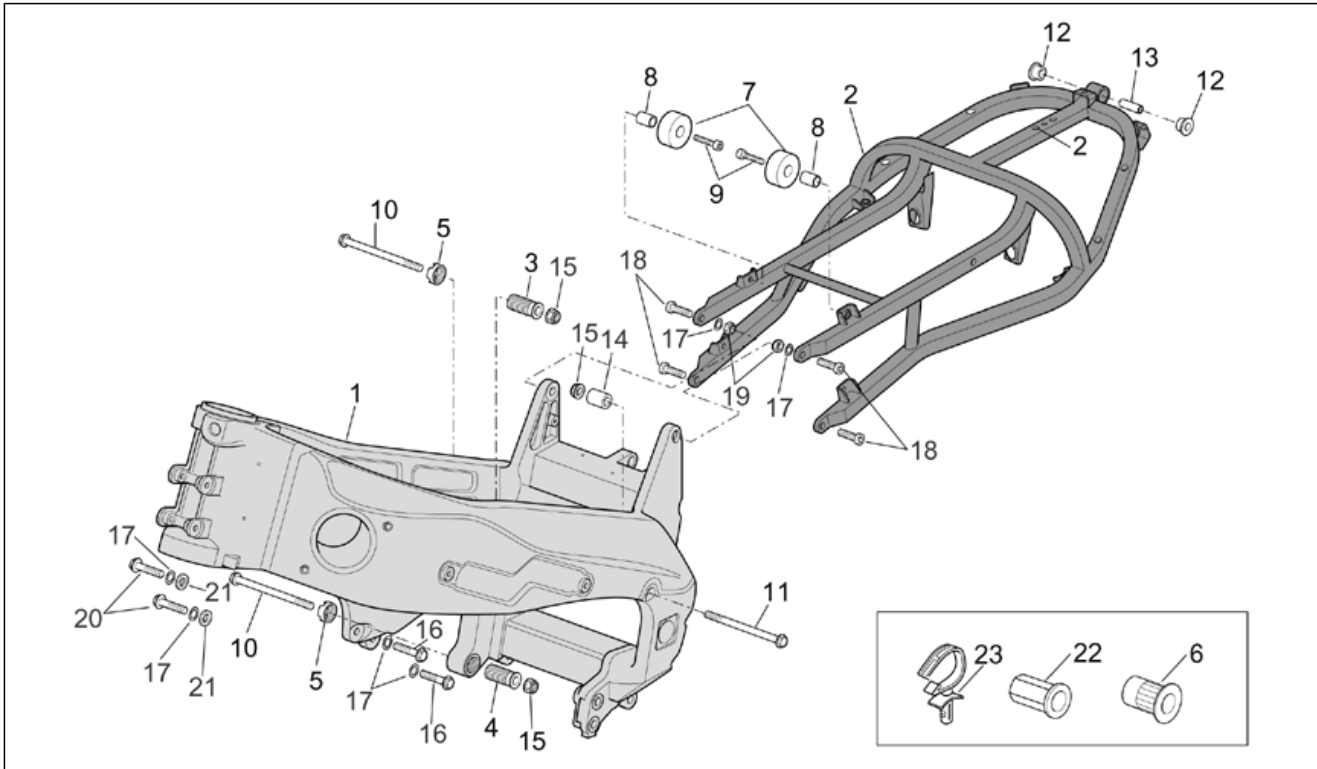
Code	No. table	Pos.	Code	No. table	Pos.	Code	No. table	Pos.
AP8120912	28.27	1	AP8121508	28.09	16	AP8124697	28.41	1
AP8120912	29.36	8	AP8121535	28.40	21	AP8124719	28.14	8
AP8120952	28.31	7	AP8121536	28.35	9	AP8124748	28.44	4
AP8120952	28.33	13	AP8121537	28.35	15	AP8124763	28.43	3
AP8120955	28.34	34	AP8121538	28.35	19	AP8124831	28.44	2
AP8120965	28.17	4	AP8121540	28.35	18	AP8124855	28.30	5
AP8120965	29.64	2	AP8121548	28.27	5	AP8124864	28.45	3
AP8120978	28.29	8	AP8121566	28.03	13	AP8124865	29.63	25
AP8120979	28.29	2	AP8121574	28.22	10	AP8124866	29.64	1
AP8120980	28.29	1	AP8121582	28.08	23	AP8124867	28.13	7
AP8120981	28.29	14	AP8121678	28.46	11	AP8124867	28.45	8
AP8120981	28.30	3	AP8121716	28.18	10	AP8124868	29.53	12
AP8120987	28.34	26	AP8121725	28.20	6	AP8124869	28.45	10
AP8120988	28.31	5	AP8121731	28.02	13	AP8124895	28.46	3
AP8121020	29.36	14	AP8121731	28.34	17	AP8124899	28.19	10
AP8121041	28.16	10	AP8121764	28.01	13	AP8124906	28.41	15
AP8121133	28.03	16	AP8121790	28.22	3	AP8124916	28.23	11
AP8121155	28.10	11	AP8121795	29.36	12	AP8124917	28.23	11
AP8121200	28.09	4	AP8121811	28.02	14	AP8124917	28.23	11
AP8121201	28.09	5	AP8121837	28.29	18	AP8124918	28.23	10
AP8121202	28.09	6	AP8121862	28.32	29	AP8124920	28.44	8
AP8121203	28.09	7	AP8121882	28.09	21	AP8124926	28.41	1
AP8121204	28.09	12	AP8121915	28.24	13	AP8124929	28.29	4
AP8121205	28.05	9	AP8121915	28.25	10	AP8124936	28.11	15
AP8121207	28.05	4	AP8121915	28.26	12	AP8124954	28.43	5
AP8121223	28.27	3	AP8121915	28.27	13	AP8124977	28.04	8
AP8121223	29.36	19	AP8121915	28.28	9	AP8124981	28.34	25
AP8121224	28.03	10	AP8121994	28.04	10	AP8124999	28.45	4
AP8121250	28.12	11	AP8121995	28.01	5	AP8125687	28.09	15
AP8121254	28.01	21	AP8121996	28.01	3	AP8125727	28.38	5
AP8121261	28.23	7	AP8121997	28.01	4	AP8125763	28.09	14
AP8121262	28.23	9	AP8121998	28.01	14	AP8125773	28.38	10
AP8121267	28.33	3	AP8123206	28.08	7	AP8125777	28.38	11
AP8121302	28.05	12	AP8123216	28.08	6	AP8125778	28.38	12
AP8121354	29.36	2	AP8123641	28.05	7	AP8125779	28.38	9
AP8121355	28.37	11	AP8123642	28.05	5	AP8125806	28.39	15
AP8121377	28.40	1	AP8123643	28.05	3	AP8125807	28.40	12
AP8121409	28.32	20	AP8123644	28.05	6	AP8125808	28.40	17
AP8121420	28.46	6	AP8123806	28.07	9	AP8125809	28.40	23
AP8121421	28.17	10	AP8123810	28.06	12	AP8125835	28.39	10
AP8121433	28.28	13	AP8123815	28.06	11	AP8125836	28.40	25
AP8121434	28.27	2	AP8123816	28.06	10	AP8125853	28.28	14
AP8121434	29.36	15	AP8123819	28.06	5	AP8125854	28.40	27
AP8121435	29.36	3	AP8123820	28.06	6	AP8125855	28.20	8
AP8121441	28.40	5	AP8123825	28.07	8	AP8125856	28.29	19
AP8121442	28.40	4	AP8123826	28.07	7	AP8125882	28.20	10
AP8121443	28.40	8	AP8123827	28.07	6	AP8125884	28.38	13
AP8121444	28.28	12	AP8123828	28.07	3	AP8125885	28.38	14
AP8121446	28.40	6	AP8123834	28.06	4	AP8125895	28.08	24
AP8121448	28.40	7	AP8123836	28.06	9	AP8125898	28.39	10
AP8121449	28.39	14	AP8123893	28.10	1	AP8126757	28.19	4
AP8121450	28.39	6	AP8123897	28.07	1	AP8126780	28.19	2
AP8121451	28.39	12	AP8123898	28.07	2	AP8126876	28.19	3
AP8121452	28.39	7	AP8123899	28.05	1	AP8126923	28.14	1
AP8121455	28.01	8	AP8123964	28.05	2	AP8126932	28.14	1
AP8121457	28.39	8	AP8124235	28.43	2	AP8126933	28.14	1
AP8121466	28.04	19	AP8124273	28.44	11	AP8126946	28.14	1
AP8121467	28.04	2	AP8124289	28.45	5	AP8126955	28.14	1
AP8121476	28.10	7	AP8124588	28.35	10	AP8126956	28.14	1
AP8121482	28.04	5	AP8124636	28.44	7	AP8127063	28.19	14
AP8121486	28.09	26	AP8124664	28.35	4	AP8127063	28.44	21
AP8121498	28.40	20	AP8124690	28.45	1	AP8127075	28.22	1
AP8121499	28.40	19	AP8124691	28.43	1	AP8127106	28.41	1
AP8121501	28.40	24	AP8124691	28.44	1	AP8127107	28.44	14
AP8121502	28.40	18	AP8124692	28.44	10	AP8127109	28.41	10
AP8121506	28.16	7	AP8124693	28.42	1	AP8127155	28.22	5
AP8121506	28.19	17	AP8124696	28.22	1	AP8127156	28.22	6

Code	No. table	Pos.	Code	No. table	Pos.	Code	No. table	Pos.
AP8127157	28.22	7	AP8134688	28.02	7	AP8144423	28.01	12
AP8127158	28.22	8	AP8134717	28.18	2	AP8144423	28.37	13
AP8127159	28.22	9	AP8134718	28.18	3	AP8144424	28.39	9
AP8127181	28.41	2	AP8134719	28.02	2	AP8144437	28.19	18
AP8127182	28.41	3	AP8134722	28.09	19	AP8144474	28.40	22
AP8127184	28.41	4	AP8134737	28.04	7	AP8144475	28.35	5
AP8127185	28.41	5	AP8134739	28.34	3	AP8144476	28.35	16
AP8127186	28.41	6	AP8134742	28.03	17	AP8144477	28.35	3
AP8127187	28.41	7	AP8134743	28.34	3	AP8144483	29.64	6
AP8127188	28.41	8	AP8134748	28.37	14	AP8144485	29.64	7
AP8127189	28.41	9	AP8134750	28.35	2	AP8144504	28.37	20
AP8127190	28.42	2	AP8134755	28.04	7	AP8144550	28.02	22
AP8127191	28.42	3	AP8134798	29.36	22	AP8144566	28.18	19
AP8127192	28.42	4	AP8134802	28.35	14	AP8144567	28.18	18
AP8127193	28.42	5	AP8134804	28.05	10	AP8144568	28.18	17
AP8127194	28.42	6	AP8134808	28.33	11	AP8144569	28.18	16
AP8127195	28.42	7	AP8134809	28.33	19	AP8146246	28.02	1
AP8127196	28.42	8	AP8134863	28.08	18	AP8146247	28.01	2
AP8127217	28.11	11	AP8135923	28.09	3	AP8146248	28.03	3
AP8127218	28.11	12	AP8135924	28.10	4	AP8146249	28.03	4
AP8127221	28.11	14	AP8138556	28.31	1	AP8146250	28.09	1
AP8127222	28.11	13	AP8144005	28.09	11	AP8146251	28.10	2
AP8127224	28.24	4	AP8144006	28.09	10	AP8146253	28.27	4
AP8127275	28.45	12	AP8144007	28.27	6	AP8146273	28.01	1
AP8127279	28.22	1	AP8144008	28.32	27	AP8146278	28.04	1
AP8127326	28.22	1	AP8144012	28.32	24	AP8146296	28.03	5
AP8127327	28.22	1	AP8144015	28.32	32	AP8146297	28.03	6
AP8127328	28.22	1	AP8144015	29.36	25	AP8146298	28.04	6
AP8127336	28.44	3	AP8144030	28.37	4	AP8146340	28.10	3
AP8128005	28.38	8	AP8144032	28.31	6	AP8146467	28.03	2
AP8129258	28.18	1	AP8144033	28.29	6	AP8146473	28.37	12
AP8129395	28.18	1	AP8144034	28.29	5	AP8146477	28.04	6
AP8129396	28.18	1	AP8144038	28.34	31	AP8146524	28.03	1
AP8133504	28.24	9	AP8144038	29.36	26	AP8148021	28.09	23
AP8133505	28.25	11	AP8144045	28.44	6	AP8148024	28.14	3
AP8133506	28.27	15	AP8144048	28.09	13	AP8148027	28.13	3
AP8133507	28.27	16	AP8144059	28.32	6	AP8148028	28.13	4
AP8133508	28.28	11	AP8144061	28.02	8	AP8148037	28.13	1
AP8133510	28.25	2	AP8144061	28.32	13	AP8148038	28.13	2
AP8133511	28.26	1	AP8144063	28.34	13	AP8148045	28.19	1
AP8133512	28.26	2	AP8144069	28.35	25	AP8148275	28.20	3
AP8133513	28.27	8	AP8144083	28.23	8	AP8148551	28.14	2
AP8133514	28.27	11	AP8144092	28.29	9	AP8148997	28.32	1
AP8133515	28.28	1	AP8144093	28.29	11	AP8149034	28.20	14
AP8133516	28.28	2	AP8144094	28.29	12	AP8149048	28.34	1
AP8133517	28.28	3	AP8144109	28.11	6	AP8149049	28.34	14
AP8133518	28.28	4	AP8144226	28.35	11	AP8149049	28.34	14
AP8133519	28.28	6	AP8144227	28.35	17	AP8149050	28.16	3
AP8133520	28.28	10	AP8144242	28.09	2	AP8149051	28.16	4
AP8134380	28.02	6	AP8144303	28.33	17	AP8149165	28.34	20
AP8134396	28.18	9	AP8144303	29.36	29	AP8149304	28.18	8
AP8134438	28.05	15	AP8144314	28.10	12	AP8149312	28.09	24
AP8134451	28.03	12	AP8144316	28.41	14	AP8149313	28.43	4
AP8134451	28.03	15	AP8144328	28.17	9	AP8149487	28.09	25
AP8134478	28.34	15	AP8144351	28.17	5	AP8149761	28.20	3
AP8134573	28.19	11	AP8144356	28.12	5	AP8149772	28.11	1
AP8134600	28.03	18	AP8144364	28.35	24	AP8149963	28.17	12
AP8134618	28.46	8	AP8144381	28.34	6	AP8149964	28.11	3
AP8134638	28.02	5	AP8144382	28.34	11	AP8149965	28.12	1
AP8134646	28.02	3	AP8144383	28.34	8	AP8149967	28.12	6
AP8134650	28.33	15	AP8144401	28.43	8	AP8149968	28.12	7
AP8134653	28.45	2	AP8144405	28.32	23	AP8149969	28.11	2
AP8134683	28.44	5	AP8144406	28.32	5	AP8149970	28.15	1
AP8134684	28.31	9	AP8144414	28.34	5	AP8149971	28.15	2
AP8134685	28.02	4	AP8144416	28.40	9	AP8149972	28.16	1
AP8134686	28.16	8	AP8144417	28.40	11	AP8149972	28.16	1
AP8134687	29.36	9	AP8144420	28.32	25	AP8149973	28.16	2

Code	No. table	Pos.	Code	No. table	Pos.	Code	No. table	Pos.
AP8149974	28.20	1	AP8152184	28.30	12	AP8152338	28.41	12
AP8149975	28.20	2	AP8152246	28.13	9	AP8152339	28.09	22
AP8149976	28.15	3	AP8152246	28.34	36	AP8152342	28.37	15
AP8149977	28.15	4	AP8152267	28.09	18	AP8152384	28.05	11
AP8150011	28.19	6	AP8152272	28.02	18	AP8152394	28.40	26
AP8150015	28.02	19	AP8152272	28.05	16	AP8152404	28.40	15
AP8150015	28.32	16	AP8152272	28.35	27	AP8152409	28.03	11
AP8150020	28.27	7	AP8152273	28.21	14	AP8156073	28.14	1
AP8150020	29.36	20	AP8152273	28.35	20	AP8156074	28.14	1
AP8150026	28.27	18	AP8152275	28.19	8	AP8157650	28.47	5
AP8150026	28.30	10	AP8152277	28.14	6	AP8157812	28.47	4
AP8150026	28.44	15	AP8152277	28.30	13	AP8158012	28.34	14
AP8150026	29.36	16	AP8152277	28.32	30	AP8158012	28.34	14
AP8150045	29.36	21	AP8152278	28.02	20	AP8158031	28.17	1
AP8150050	28.19	12	AP8152278	28.14	7	AP8158055	28.17	1
AP8150073	28.27	19	AP8152278	28.30	16	AP8158056	28.11	2
AP8150114	28.19	13	AP8152278	28.31	15	AP8158057	28.11	3
AP8150137	28.23	16	AP8152278	28.32	17	AP8158058	28.15	1
AP8150137	28.32	12	AP8152278	28.34	19	AP8158059	28.15	2
AP8150158	28.14	10	AP8152278	28.44	18	AP8158060	28.16	1
AP8150170	28.20	5	AP8152279	28.02	15	AP8158060	28.16	1
AP8150179	28.04	17	AP8152279	28.30	14	AP8158061	28.16	2
AP8150196	28.04	12	AP8152279	28.31	12	AP8158062	28.12	2
AP8150202	28.02	12	AP8152279	28.32	22	AP8158063	28.18	2
AP8150204	28.14	9	AP8152280	28.20	11	AP8158064	28.18	3
AP8150204	28.19	7	AP8152280	28.22	2	AP8158069	28.17	1
AP8150211	28.05	14	AP8152280	28.46	13	AP8158070	28.11	2
AP8150236	28.01	9	AP8152281	28.17	11	AP8158071	28.11	3
AP8150272	28.21	15	AP8152285	28.32	28	AP8158072	28.15	1
AP8150272	28.34	29	AP8152285	28.39	13	AP8158073	28.15	2
AP8150292	28.01	17	AP8152285	28.44	19	AP8158074	28.16	1
AP8150292	28.04	13	AP8152286	28.03	19	AP8158074	28.16	1
AP8150292	28.26	10	AP8152286	28.20	9	AP8158075	28.16	2
AP8150314	28.02	16	AP8152286	28.38	7	AP8158077	28.18	2
AP8150334	28.37	8	AP8152287	28.03	20	AP8158078	28.18	3
AP8150340	28.30	11	AP8152287	28.40	14	AP8158159	28.11	1
AP8150349	28.46	9	AP8152288	28.46	10	AP8158160	28.12	3
AP8150400	28.04	15	AP8152289	28.05	13	AP8158161	28.12	4
AP8150406	28.34	24	AP8152290	28.07	13	AP8158164	28.46	1
AP8150413	28.13	5	AP8152290	28.23	17	AP8158164	28.46	1
AP8150413	28.34	33	AP8152298	28.12	10	AP8158188	28.18	4
AP8150429	28.44	16	AP8152298	28.15	5	AP8158189	28.18	5
AP8150430	28.30	15	AP8152298	28.19	23	AP8158190	28.18	6
AP8150430	29.36	18	AP8152298	28.44	12	AP8158191	28.18	7
AP8150436	28.01	19	AP8152299	28.02	17	AP8158213	28.18	4
AP8150450	28.11	8	AP8152299	28.11	16	AP8158214	28.18	5
AP8150453	28.16	9	AP8152299	28.32	14	AP8158215	28.18	6
AP8150453	28.17	14	AP8152299	28.37	5	AP8158216	28.18	7
AP8150453	28.46	14	AP8152300	28.20	4	AP8158219	28.18	4
AP8150454	28.17	15	AP8152300	28.40	16	AP8158220	28.18	5
AP8150454	28.46	15	AP8152301	28.01	15	AP8158221	28.18	6
AP8150458	28.10	10	AP8152301	28.04	16	AP8158222	28.18	7
AP8150469	28.01	18	AP8152301	28.10	9	AP8158225	28.03	7
AP8150492	28.04	9	AP8152302	28.13	8	AP8158226	28.03	8
AP8150497	28.08	26	AP8152302	28.14	5	AP8158338	28.16	1
AP8150498	28.08	20	AP8152302	28.15	8	AP8158339	28.16	1
AP8152001	28.04	11	AP8152306	28.19	9	AP8158340	28.16	1
AP8152040	28.23	15	AP8152306	28.20	15	AP8158842	28.17	1
AP8152043	28.25	8	AP8152315	28.01	11	AP8158843	28.11	2
AP8152056	28.18	11	AP8152317	28.01	10	AP8158844	28.11	3
AP8152128	28.39	11	AP8152318	28.01	16	AP8158847	28.16	1
AP8152137	28.04	18	AP8152322	28.10	8	AP8158847	28.16	1
AP8152137	28.18	14	AP8152323	28.38	6	AP8158848	28.16	2
AP8152138	29.36	17	AP8152325	28.01	20	AP8158849	28.16	1
AP8152171	28.17	13	AP8152325	28.09	20	AP8158850	28.12	2
AP8152181	28.18	13	AP8152335	28.38	4	AP8158851	28.12	6
AP8152181	29.36	10	AP8152336	28.26	9	AP8158852	28.12	7

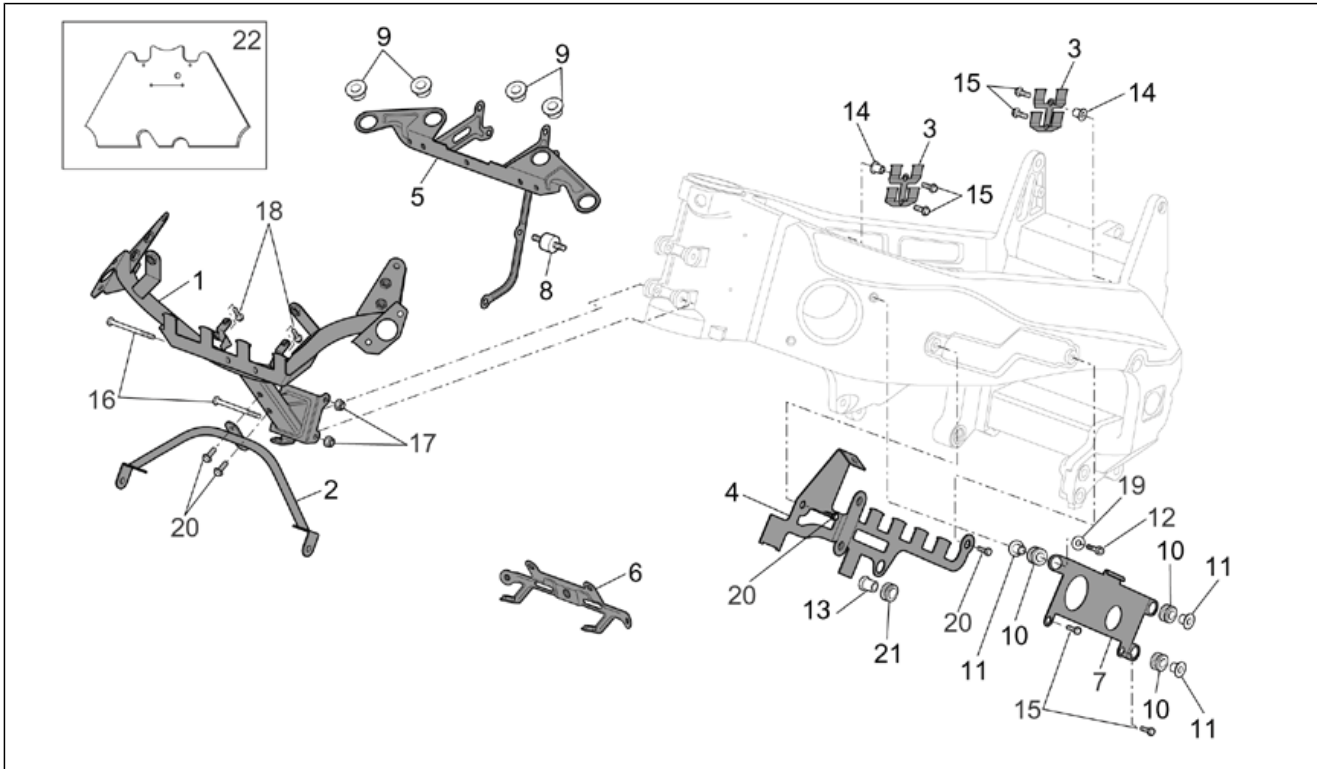
Code	No. table	Pos.	Code	No. table	Pos.	Code	No. table	Pos.
AP8158853	28.12	1	AP8167960	28.47	3	AP8700792	30.66	12
AP8158854	28.12	3	AP8168849	28.17	1	AP8700793	30.66	12
AP8158855	28.12	4	AP8168850	28.11	2	AP8700794	30.66	12
AP8158856	28.14	1	AP8168851	28.11	3	AP8706314	28.21	10
AP8158857	28.14	1	AP8168852	28.15	1	AP8706337	28.21	11
AP8158858	28.17	12	AP8168853	28.15	2	AP8706338	28.21	12
AP8158859	28.18	2	AP8168854	28.16	1	AP8706348	28.21	3
AP8158860	28.18	3	AP8168855	28.16	2	AP8706349	28.21	13
AP8158861	28.18	4	AP8168856	28.20	3	AP8720115	30.67	1
AP8158862	28.18	5	AP8168857	28.20	1	AP8720116	30.67	2
AP8158865	28.43	4	AP8168858	28.20	2	AP8720117	30.67	3
AP8158866	28.15	1	AP8168859	28.11	1	AP8720118	30.67	4
AP8158867	28.15	2	AP8168861	28.18	4	AP8790257	30.66	1
AP8158868	28.18	6	AP8168862	28.18	5	AP8790258	28.21	1
AP8158869	28.18	7	AP8168863	28.18	6	AP8790258	30.66	2
AP8163047	28.07	4	AP8168864	28.18	7	AP8790259	28.21	2
AP8163048	28.07	5	AP8168865	28.17	1	AP8790259	30.66	3
AP8163049	28.07	10	AP8168866	28.11	2	AP8792152	30.66	10
AP8163050	28.06	1	AP8168867	28.11	3	AP8792156	28.21	4
AP8163051	28.06	2	AP8168868	28.15	1	AP8792156	30.66	11
AP8163052	28.06	3	AP8168869	28.15	2	AP8792176	30.66	1
AP8163053	28.06	7	AP8168870	28.18	6	AP8792177	30.66	1
AP8163054	28.06	8	AP8168871	28.18	7	AP8792178	28.21	1
AP8163055	28.06	13	AP8177665	28.47	3	AP8792178	30.66	2
AP8163108	28.10	14	AP8177666	28.47	3	AP8792179	28.21	2
AP8163109	28.07	12	AP8177797	28.47	4	AP8792179	30.66	3
AP8163126	28.08	4	AP8177798	28.47	8	AP8792180	28.21	1
AP8163127	28.08	3	AP8201124	28.01	7	AP8792180	30.66	2
AP8163128	28.08	5	AP8201169	28.29	15	AP8792181	28.21	2
AP8163129	28.08	8	AP8201539	28.13	6	AP8792181	30.66	3
AP8163130	28.08	11	AP8201727	28.19	24	AP8792182	28.21	1
AP8163131	28.08	12	AP8201808	29.36	24	AP8792182	30.66	2
AP8163132	28.08	13	AP8202154	28.34	22	AP8792183	28.21	2
AP8163133	28.08	14	AP8203794	28.07	11	AP8792183	30.66	3
AP8163134	28.08	15	AP8210007	29.36	7	AP8792184	28.21	5
AP8163135	28.08	16	AP8212382	28.45	13	AP8792184	30.66	8
AP8163136	28.08	10	AP8212469	28.45	6	AP8792185	28.21	6
AP8163137	28.08	17	AP8213057	28.27	10	AP8792185	30.66	4
AP8163138	28.08	22	AP8213193	28.26	4	AP8792186	28.21	7
AP8163139	28.08	1	AP8213243	28.24	6	AP8792186	30.66	5
AP8163140	28.08	2	AP8220095	28.34	23	AP8792187	28.21	3
AP8163141	28.08	27	AP8220263	28.33	12	AP8792187	30.66	6
AP8163142	28.08	21	AP8220283	28.45	7	AP8792188	28.21	9
AP8163143	28.08	19	AP8220299	28.04	14	AP8792188	30.66	9
AP8163144	28.08	9	AP8220370	28.20	7	AP8792230	28.21	8
AP8163145	28.08	25	AP8220370	28.34	18	AP8792233	28.21	1
AP8167213	28.15	10	AP8220546	28.43	7	AP8792233	30.66	2
AP8167214	28.15	9	AP8220546	28.45	11	AP8792234	28.21	2
AP8167404	28.47	3	AP8221023	28.02	11	AP8792234	30.66	3
AP8167405	28.47	3	AP8221023	28.30	9	AP8792381	30.66	1
AP8167406	28.47	3	AP8221023	28.32	8	AP8792382	30.66	2
AP8167407	28.47	4	AP8221046	29.36	13	AP8792383	30.66	3
AP8167407	28.47	4	AP8221128	28.18	12	AP8792391	30.66	8
AP8167408	28.47	4	AP8221145	28.31	11	AP8792392	30.66	4
AP8167409	28.47	4	AP8221172	29.36	23	AP8792393	30.66	5
AP8167409	28.47	4	AP8221197	28.04	4	AP8792394	30.66	6
AP8167410	28.47	7	AP8221242	28.34	10			
AP8167453	28.47	4	AP8221297	28.37	16			
AP8167454	28.47	8	AP8221310	28.01	23			
AP8167513	28.47	4	AP8224057	28.43	6			
AP8167514	28.47	3	AP8224164	28.20	12			
AP8167598	28.47	6	AP8224192	28.25	7			
AP8167604	28.47	6	AP8224389	28.42	9			
AP8167656	28.19	26	AP8224393	28.41	11			
AP8167926	28.47	3	AP8224393	28.44	13			
AP8167927	28.47	3	AP8234020	28.09	17			
AP8167959	28.47	3	AP8258253	28.20	13			

Group	FRAME
Code	28.01
Description	Frame I
Service	1



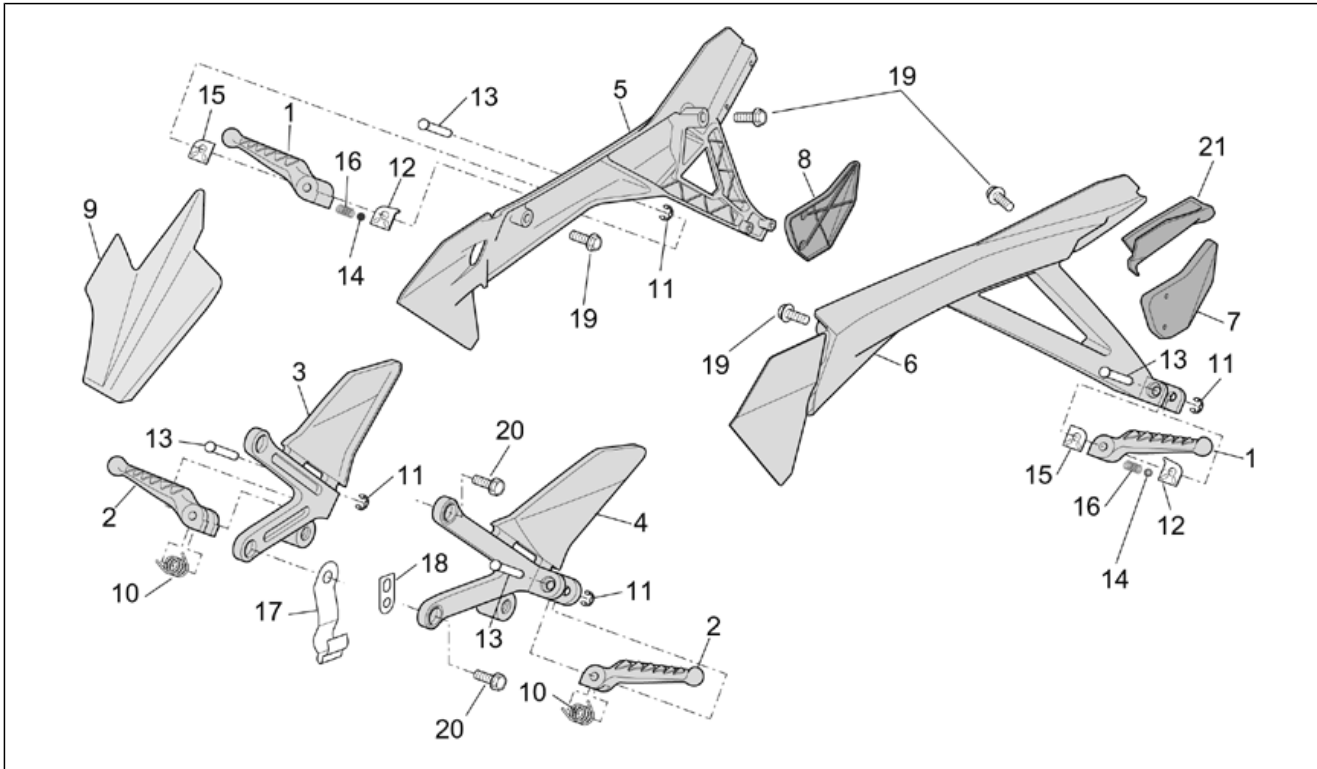
Pos.	Code	Description	Qty	Variants
1	AP8146273	Frame	1	
2	AP8146247	Saddle support	1	
3	AP8121996	Upper adjustment bush	1	
4	AP8121997	Lower adjustment bush	1	
5	AP8121995	Eng.connect.elem.ring nut	2	
6	AP8102544	Threaded rivet M6	19	
7	AP8201124	Rubber spacer *	2	
8	AP8121455	Spacer bush	2	
9	AP8150236	Hex socket screw M8x35	2	
10	AP8152317	Screw w/ flange M10x100	2	
11	AP8152315	Screw w/ flange M10x110	1	
12	AP8144423	Rubber spacer	2	
13	AP8121764	Spacer *	1	
14	AP8121998	Upper engine spacer	1	
15	AP8152301	Self-locking nut	4	
16	AP8152318	Screw w/ flange M10x35	2	
17	AP8150292	Curved spring washer *	4	
18	AP8150469	Hex socket screw M10x30	4	
19	AP8150436	Low self-locking nut	2	
20	AP8152325	Screw w/ flange	2	
21	AP8121254	LH front engine spacer	2	
22	AP8102902	Hex threaded insert	2	
23	AP8221310	Cable-guide	1	

Group	FRAME
Code	28.02
Description	Frame II
Service	1



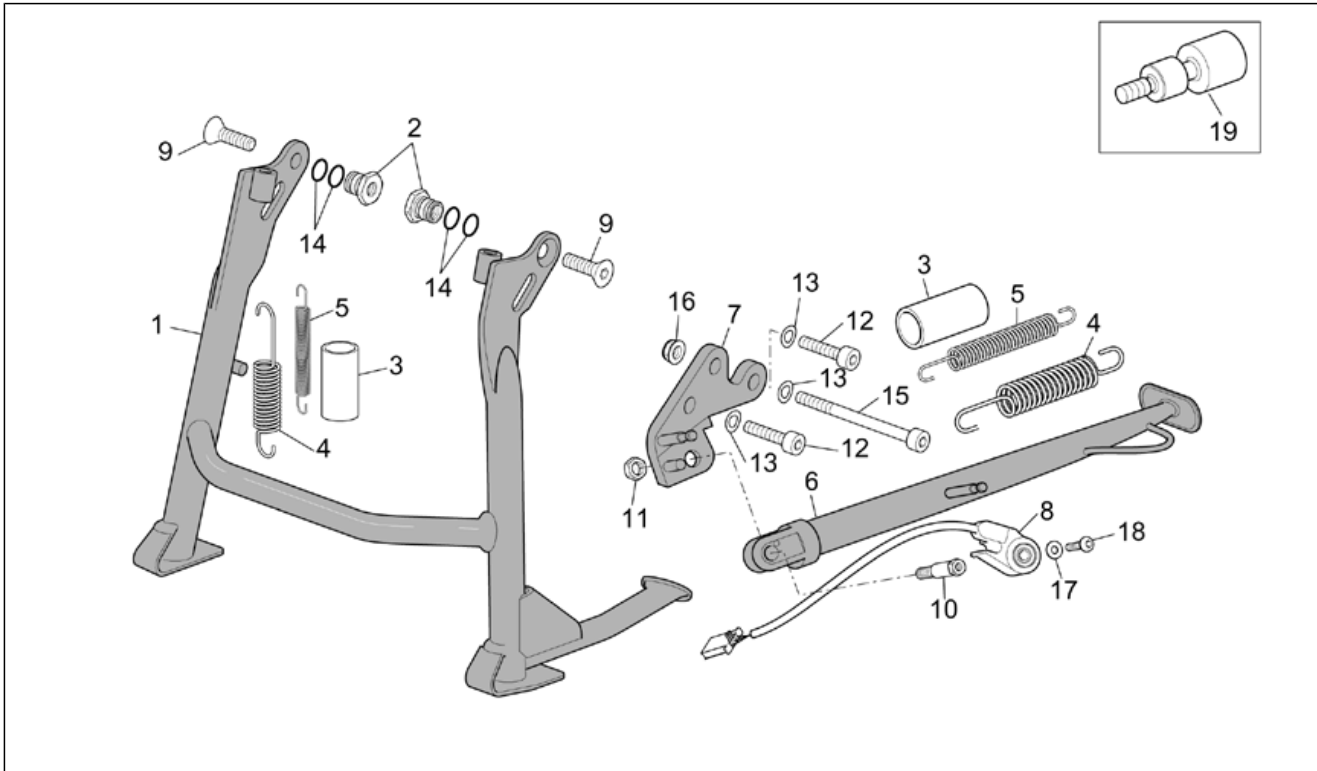
Pos.	Code	Description	Qty	Variants
1	AP8146246	Instrum.holder frame	1	
2	AP8134719	Fairing connecting plate	1	
3	AP8134646	Coil unit fixing plate	2	
4	AP8134685	Oil tank support	1	
5	AP8134638	Lower water cooler support	1	
6	AP8134380	Water cooler upper support	1	
7	AP8134688	Control unit fixing plate	1	
8	AP8144061	Silent-block	1	
9	AP8101372	Silent-block	4	
10	AP8120030	Rubber spacer	3	
11	AP8221023	T bush	3	
12	AP8150202	Hex socket screw M6x50	1	
13	AP8121731	T bush *	1	
14	AP8121811	T bush	2	
15	AP8152279	Screw w/ flange M6x20	4	
16	AP8150314	Screw	2	
17	AP8152299	Self-locking nut M6	2	
18	AP8152272	Screw w/ flange M5x12	2	
19	AP8150015	Washer 6,6x18x1,6*	1	
20	AP8152278	Screw w/ flange M6x16	4	
21	AP8120030	Rubber spacer	1	
22	AP8144550	Rubber protection	1	

Group	FRAME
Code	28.03
Description	Foot rests
Service	1



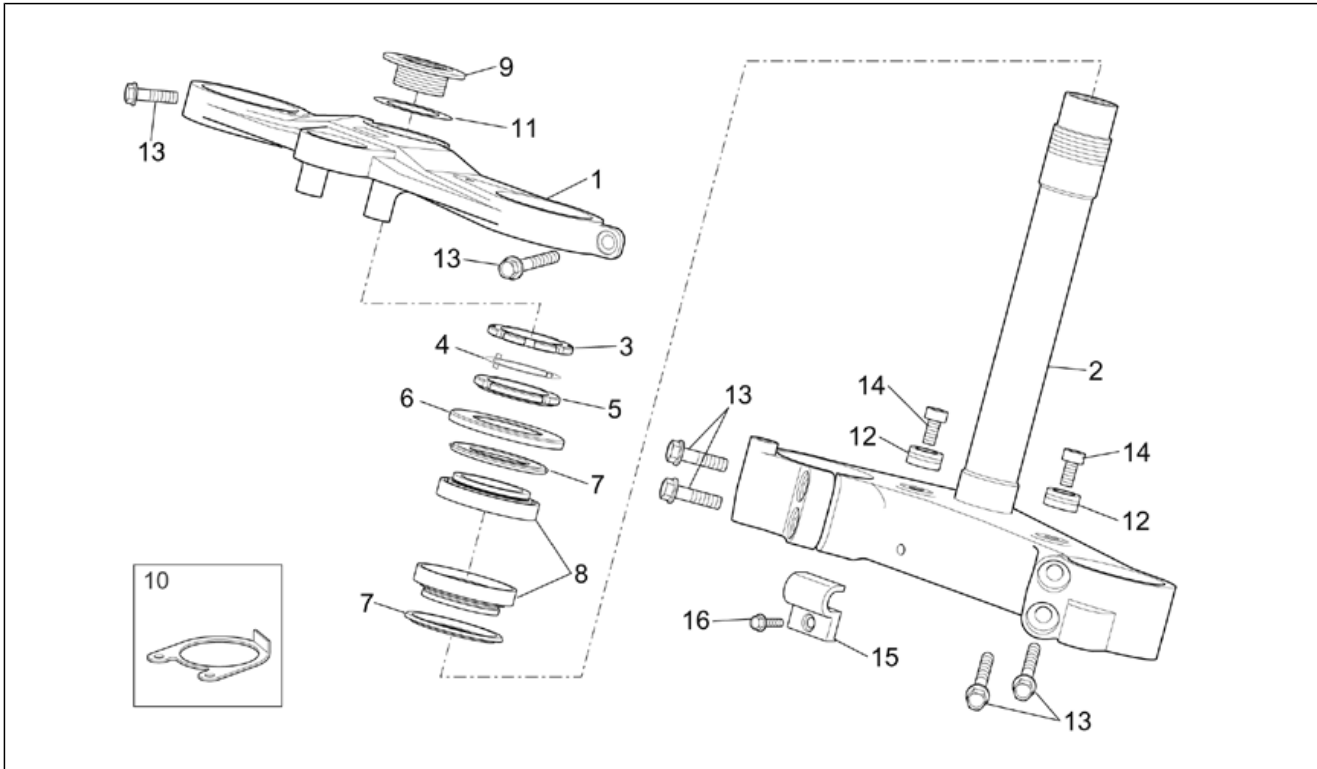
Pos.	Code	Description	Qty	Variants
1	AP8146524	Rear footrests, pair	1	
2	AP8146467	Front footrest, pair	1	
3	AP8146248	RH front footrest bracket	1	
4	AP8146249	LH front footrest bracket	1	
5	AP8146296	RH footrest support	1	
6	AP8146297	LH footrest support	1	
7	AP8158225	LH rear footrest guard	1	
8	AP8158226	RH rear footrest guard	1	
9	AP8119617	Exhaust pipes cover	1	
10	AP8121224	Footrest return spring	2	
11	AP8152409	Stop ring	4	
12	AP8134451	Footrest plate	2	
13	AP8121566	Footrest pin	4	
14	AP8101861	Ball D6,35	2	
15	AP8134451	Footrest plate	2	
16	AP8121133	Coil compress. spring	2	
17	AP8134742	Brake hose hanger	1	
18	AP8134600	Oil tank low.support clamp	1	
19	AP8152286	Screw w/ flange M8x20	4	
20	AP8152287	Screw w/ flange M8x25	4	
21	AP8118584	left handle	1	

Group	FRAME
Code	28.04
Description	Central stand
Service	1



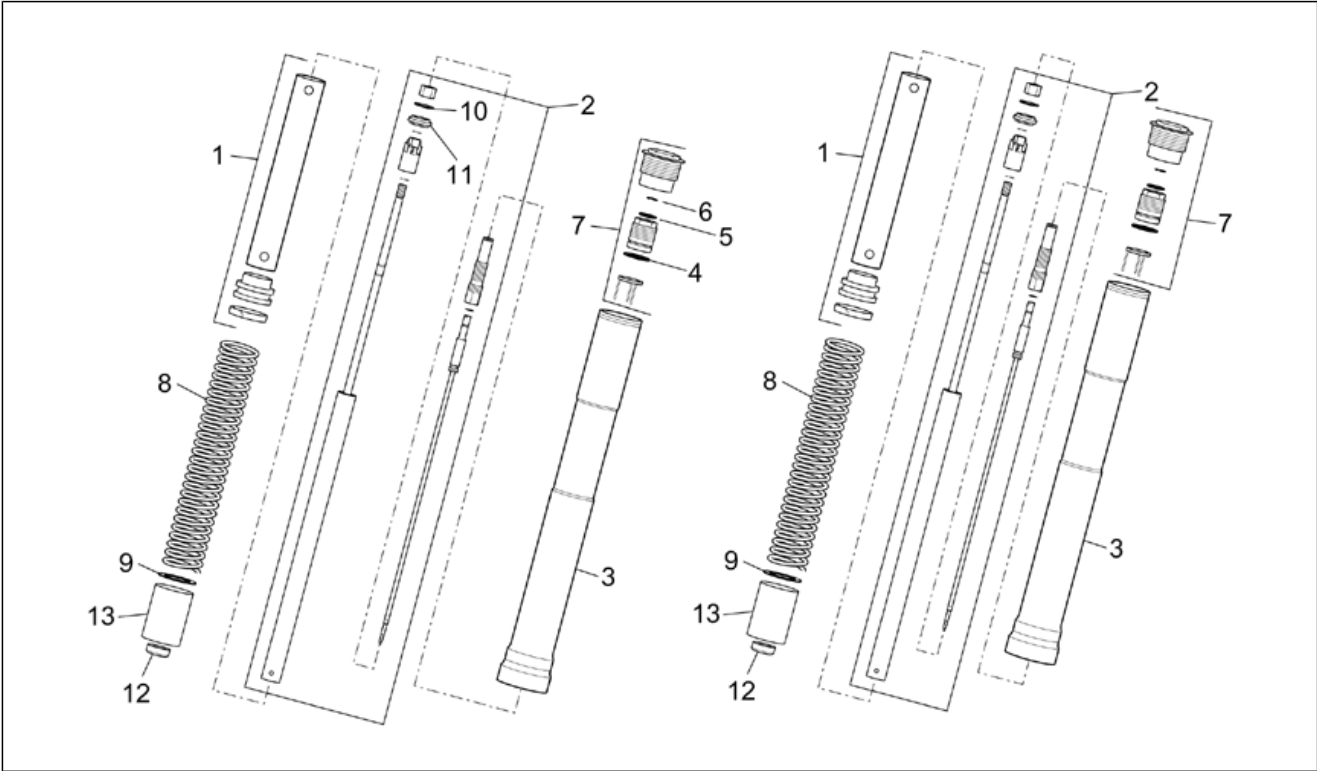
Pos.	Code	Description	Qty	Variants
1	AP8146278	Central stand	1	
2	AP8121467	Maintenance	2	
3	AP8102524	Stand spring protection	2	
4	AP8221197	Lateral stand spring	2	
5	AP8121482	Internal lateral stand spring	2	
6	AP8146298	Lateral stand	1	Country: Austria[A], Australia[AA], Australia[AUS], Belgium[B], Belgium[BB], Switzerland[CH], Germany[D], Denmark[DK], Spain[E], A, B, CH, D, DK, E, F, I, NL, P[EU], France[F], France[FF], Italy[I], Japan[J], Japan[JJ], Holland[NL], Portugal[P], Great Britain[UK]
6	AP8146477	Lateral stand	1	Country: USA (49 Countries Approval)[AM], USA (California Approval)[CF], United States of America[USA]
7	AP8134737	Stand plate	1	Country: Austria[A], Australia[AA], Australia[AUS], Belgium[B], Belgium[BB], Switzerland[CH], Germany[D], Denmark[DK], Spain[E], A, B, CH, D, DK, E, F, I, NL, P[EU], France[F], France[FF], Italy[I], Japan[J], Japan[JJ], Holland[NL], Portugal[P], Great Britain[UK]
7	AP8134755	Stand plate	1	Country: USA (49 Countries Approval)[AM], USA (California Approval)[CF], United States of America[USA]
8	AP8124977	Rotary switch	1	
9	AP8150492	Screw	2	
10	AP8121994	Central stand fixing screw	1	
11	AP8152001	Low nut M10x1,25	1	
12	AP8150196	Hex socket screw	2	
13	AP8150292	Curved spring washer *	3	
14	AP8220299	O-ring 2050	4	
15	AP8150400	Hex socket screw	1	
16	AP8152301	Self-locking nut	1	
17	AP8150179	Washer 6,6x18*	1	
18	AP8152137	Hex socket screw M6x20	1	
19	AP8121466	Pin	1	

Group	FRAME
Code	28.05
Description	Steering
Service	1



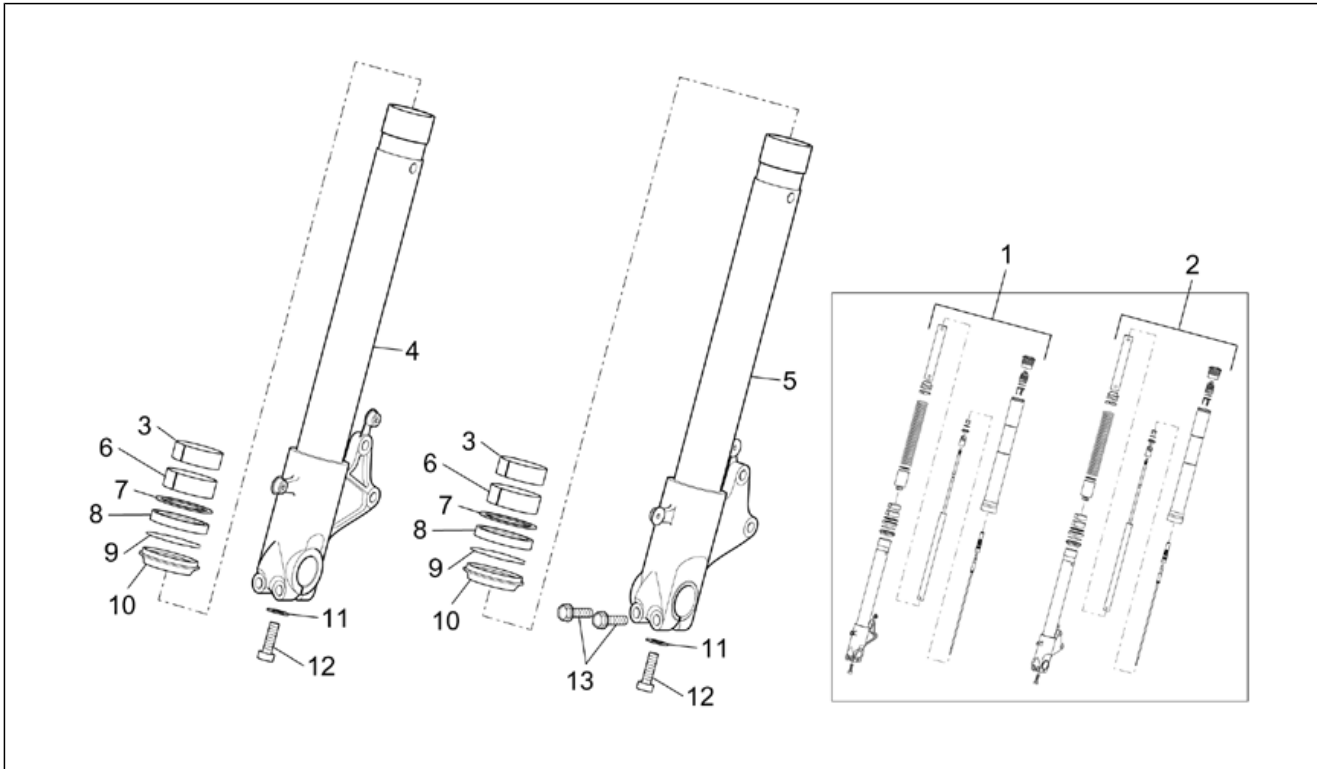
Pos.	Code	Description	Qty	Variants
1	AP8123899	Fork upper plate	1	
2	AP8123964	Stem base	1	
3	AP8123643	Return ring nut	1	
4	AP8121207	Steering security plate	1	
5	AP8123642	Ring nut	1	
6	AP8123644	Dust cover ring	1	
7	AP8123641	Dust cover ring	2	
8	AP8110077	Axial ball bearing	2	
9	AP8121205	Upper plate fixing bush	1	
10	AP8134804	plate	1	
11	AP8152384	Stem plug washer	1	
12	AP8121302	Steering lock bush	2	
13	AP8152289	Screw w/ flange	6	
14	AP8150211	Hex socket screw M8x16	2	
15	AP8134438	Brake hose hanger	1	
16	AP8152272	Screw w/ flange M5x12	1	

Group	FRAME
Code	28.06
Description	Front fork I
Service	1



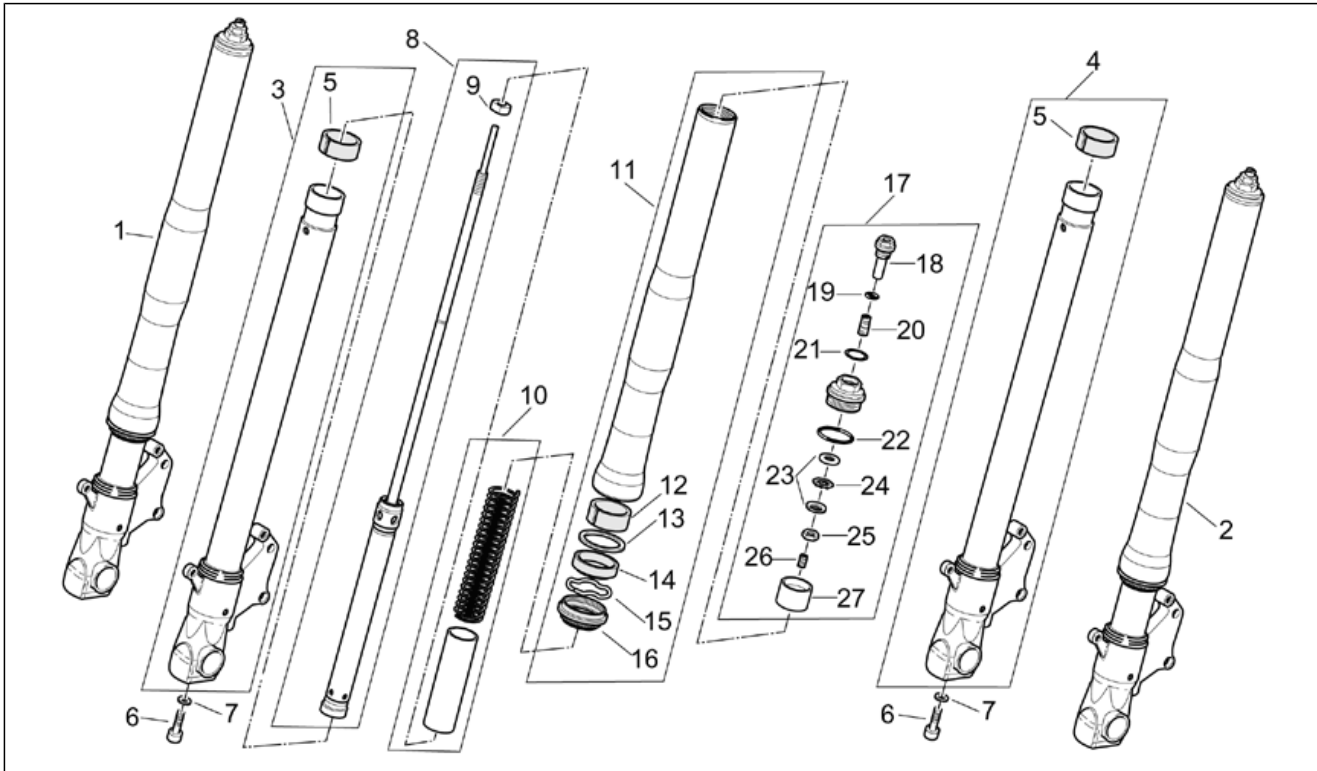
Pos.	Code	Description	Qty	Variants
1	AP8163050	Preload tube cpl.	2	Technical Specifications: Fork with letter S on hub[S]
2	AP8163051	Plunger, complete	2	Technical Specifications: Fork with letter S on hub[S]
3	AP8163052	Sleeve	2	Technical Specifications: Fork with letter S on hub[S]
4	AP8123834	O-ring	2	Technical Specifications: Fork with letter S on hub[S]
5	AP8123819	O-ring	2	Technical Specifications: Fork with letter S on hub[S]
6	AP8123820	O-ring	2	Technical Specifications: Fork with letter S on hub[S]
7	AP8163053	Sleeve plug cpl.	2	Technical Specifications: Fork with letter S on hub[S]
8	AP8163054	Spring	2	Technical Specifications: Fork with letter S on hub[S]
9	AP8123836	Washer	2	Technical Specifications: Fork with letter S on hub[S]
10	AP8123816	Washer	2	Technical Specifications: Fork with letter S on hub[S]
11	AP8123815	Ring	2	Technical Specifications: Fork with letter S on hub[S]
12	AP8123810	Plunger attachment bush	2	Technical Specifications: Fork with letter S on hub[S]
13	AP8163055	Spacer	2	Technical Specifications: Fork with letter S on hub[S]

Group	FRAME
Code	28.07
Description	Showa front fork - Hubs, sleeves
Service	1



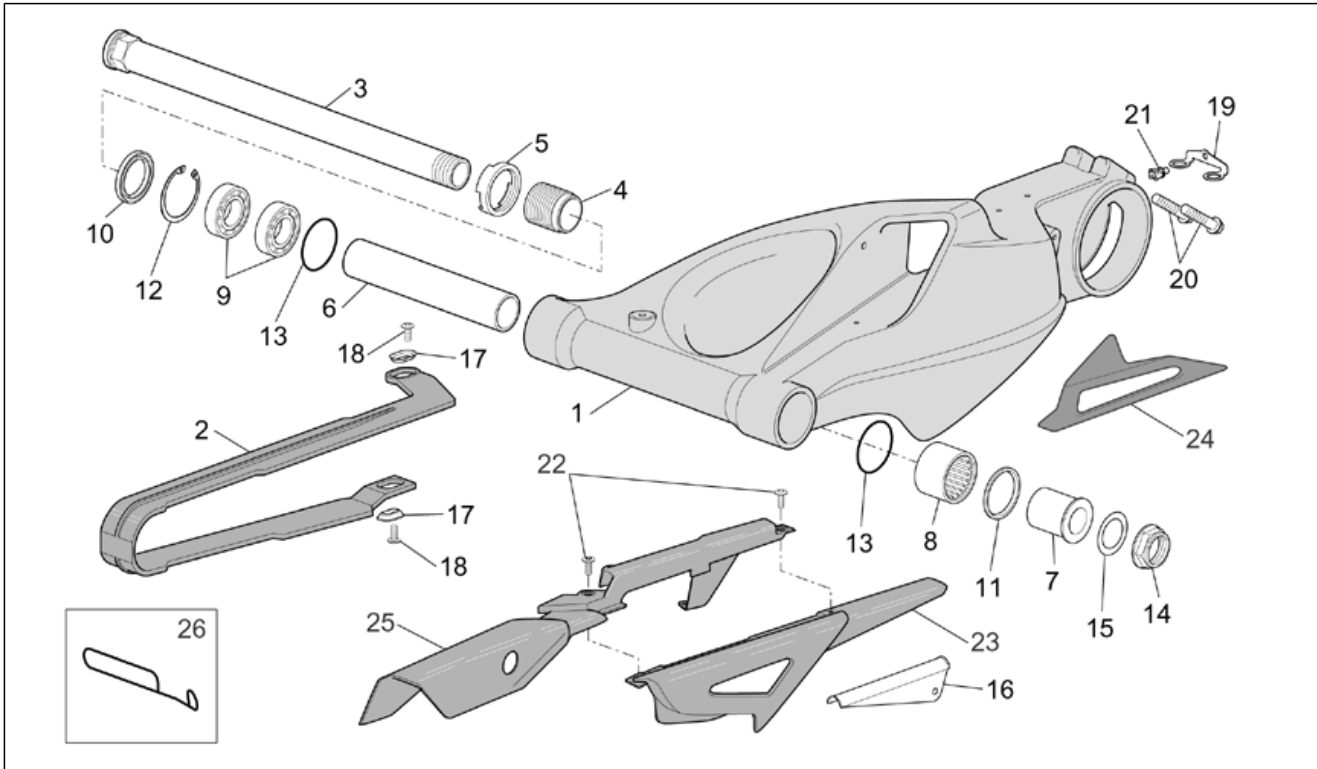
Pos.	Code	Description	Qty	Variants
1	AP8123897	RH hub	1	Technical Specifications: Fork with letter S on hub[S]
2	AP8123898	LH hub	1	Technical Specifications: Fork with letter S on hub[S]
3	AP8123828	Bush D.44,5xd.41,1xh.20	2	Technical Specifications: Fork with letter S on hub[S]
4	AP8163047	Hub+RH fork leg	1	Technical Specifications: Fork with letter S on hub[S]
5	AP8163048	Hub+LH fork leg	1	Technical Specifications: Fork with letter S on hub[S]
6	AP8123827	Bush D.47,1xd.43xh.20	2	Technical Specifications: Fork with letter S on hub[S]
7	AP8123826	Ring	2	Technical Specifications: Fork with letter S on hub[S]
8	AP8123825	Oil seal	2	Technical Specifications: Fork with letter S on hub[S]
9	AP8123806	Circlip	2	Technical Specifications: Fork with letter S on hub[S]
10	AP8163049	Dust cover	2	Technical Specifications: Fork with letter S on hub[S]
11	AP8203794	Washer	2	Technical Specifications: Fork with letter S on hub[S]
12	AP8163109	screw	2	Technical Specifications: Fork with letter S on hub[S]
13	AP8152290	Screw w/ flange M8x40	4	Technical Specifications: Fork with letter S on hub[S]

Group	FRAME
Code	28.08
Description	Marzocchi front fork - Hubs, sleeves
Service	1



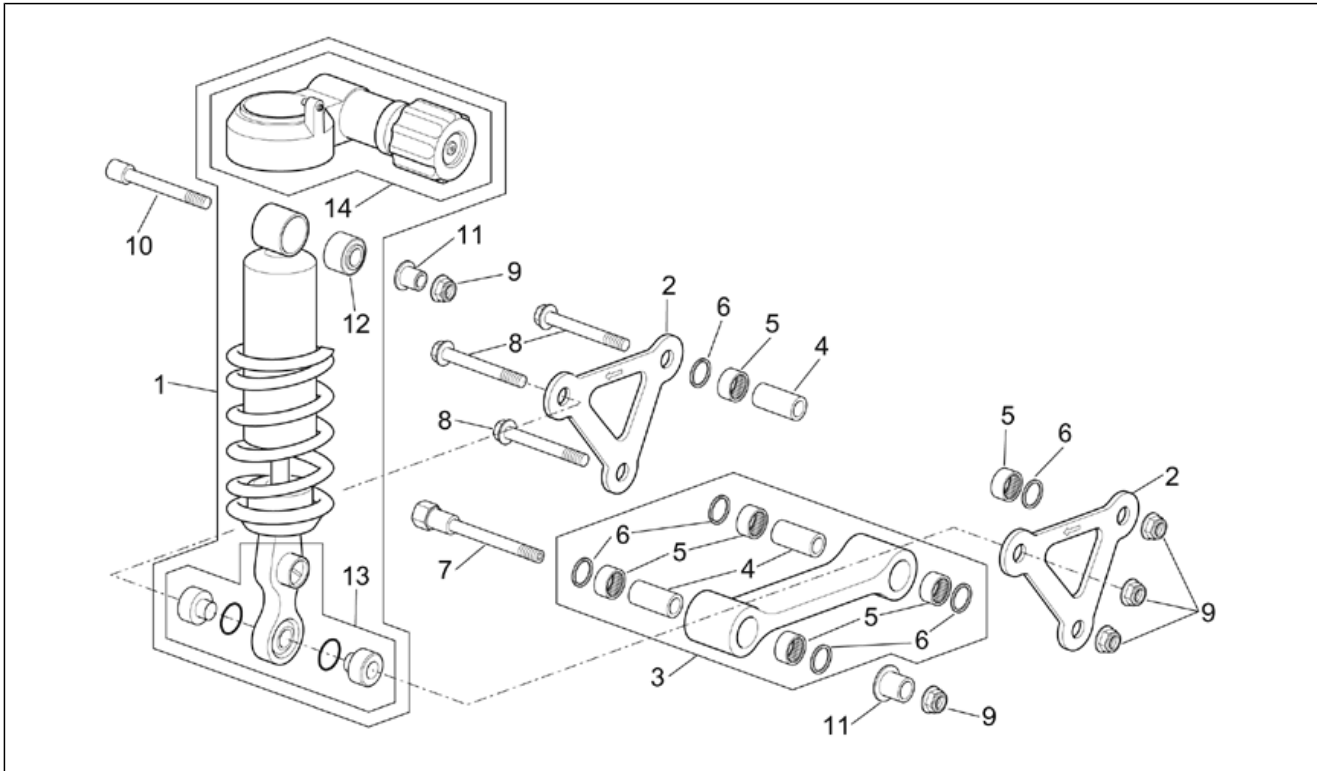
Pos.	Code	Description	Qty	Variants
1	AP8163139	RH hub cpl.	1	Technical Specifications: Fork with letter M on hub[M]
2	AP8163140	LH hub cpl.	1	Technical Specifications: Fork with letter M on hub[M]
3	AP8163127	Hub+RH fork leg	2	Technical Specifications: Fork with letter M on hub[M]
4	AP8163126	Hub+LH fork leg	2	Technical Specifications: Fork with letter M on hub[M]
5	AP8163128	Bush	2	Technical Specifications: Fork with letter M on hub[M]
6	AP8123216	Screw M10x30	2	Technical Specifications: Fork with letter M on hub[M]
7	AP8123206	Seal washer	2	Technical Specifications: Fork with letter M on hub[M]
8	AP8163129	Plunger, complete	2	Technical Specifications: Fork with letter M on hub[M]
9	AP8163144	Nut M12x1,25	2	Technical Specifications: Fork with letter M on hub[M]
10	AP8163136	Springs+tube	1	Technical Specifications: Fork with letter M on hub[M]
11	AP8163130	Sleeve cpl.	2	Technical Specifications: Fork with letter M on hub[M]
12	AP8163131	Bush	2	Technical Specifications: Fork with letter M on hub[M]
13	AP8163132	Ring	2	Technical Specifications: Fork with letter M on hub[M]
14	AP8163133	Oil seal	2	Technical Specifications: Fork with letter M on hub[M]
15	AP8163134	Circlip	2	Technical Specifications: Fork with letter M on hub[M]
16	AP8163135	Dust cover	2	Technical Specifications: Fork with letter M on hub[M]
17	AP8163137	Sleeve plug cpl.	2	Technical Specifications: Fork with letter M on hub[M]
18	AP8134863	Pin	2	Technical Specifications: Fork with letter M on hub[M]
19	AP8163143	O-ring	2	Technical Specifications: Fork with letter M on hub[M]
20	AP8150498	Dowel	2	Technical Specifications: Fork with letter M on hub[M]
21	AP8163142	O-ring	2	Technical Specifications: Fork with letter M on hub[M]
22	AP8163138	O-ring	2	Technical Specifications: Fork with letter M on hub[M]
23	AP8121582	Fifth wheel	4	Technical Specifications: Fork with letter M on hub[M]
24	AP8125895	Bearing	2	Technical Specifications: Fork with letter M on hub[M]
25	AP8163145	Nut M17x1	2	Technical Specifications: Fork with letter M on hub[M]
26	AP8150497	Dowel	2	Technical Specifications: Fork with letter M on hub[M]
27	AP8163141	Washer	2	Technical Specifications: Fork with letter M on hub[M]

Group	FRAME
Code	28.09
Description	Swing arm
Service	1



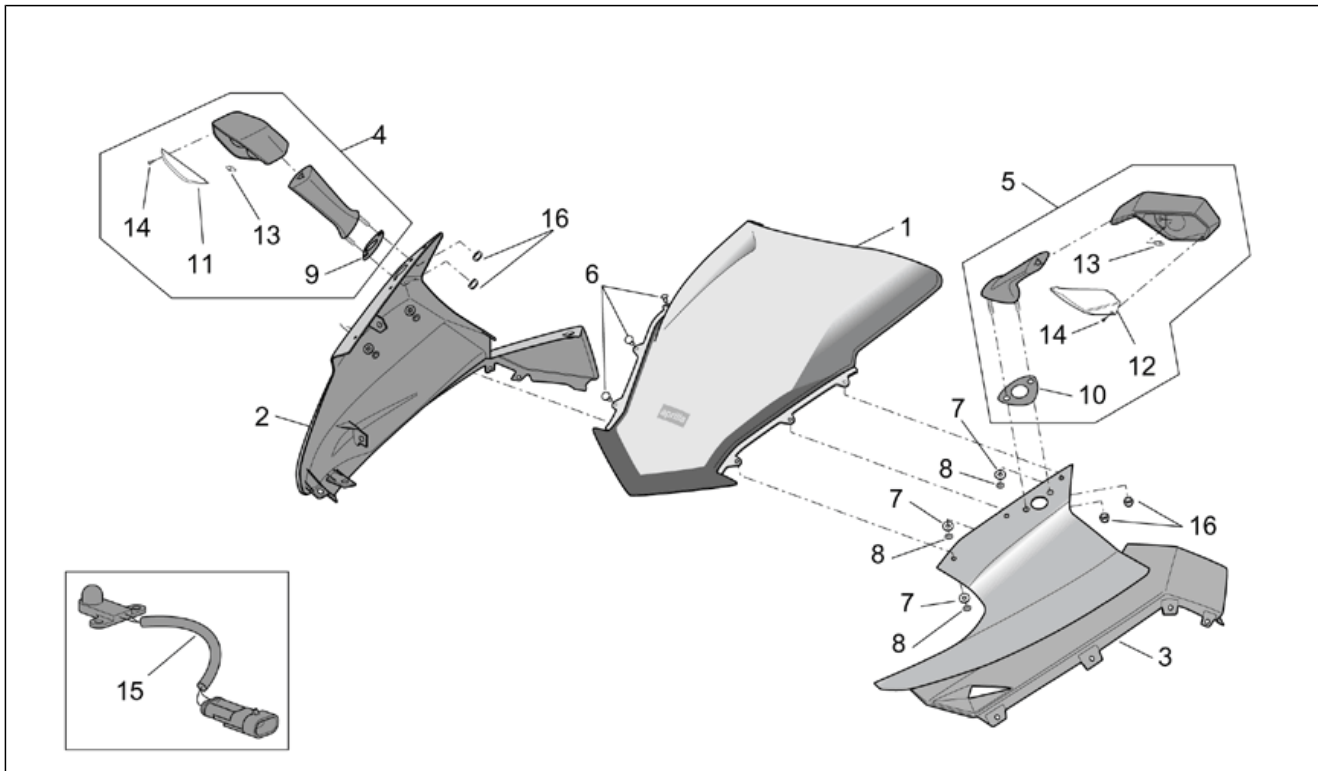
Pos.	Code	Description	Qty	Variants
1	AP8146250	Swing arm	1	
2	AP8144242	Chain guide plate	1	
3	AP8135923	Rear swing arm pin	1	
4	AP8121200	Adjustment bush	1	
5	AP8121201	Swing arm ring nut	1	
6	AP8121202	Internal spacer	1	
7	AP8121203	Rear int.sw.arm piv.bush	1	
8	AP8110078	Cage à rouleaux	1	
9	AP8110079	Ball bearing	2	
10	AP8144006	Gasket ring	1	
11	AP8144005	Gasket ring	1	
12	AP8121204	Inside circlip d37	1	
13	AP8144048	O-ring 134	2	
14	AP8125763	Rear wheel spindle nut	1	
15	AP8125687	Wheel pin washer	1	
16	AP8121508	Brake hose fixing plate	1	
17	AP8234020	Cup for shoe	2	
18	AP8152267	Hex socket screw M5x12	2	
19	AP8134722	Plate	1	
20	AP8152325	Screw w/ flange	2	
21	AP8121882	Cable-guide	1	
22	AP8152339	Screw w/ flange M5x9	2	
23	AP8148021	Upper chain guard, black	1	
24	AP8149312	Lower chain guard, black	1	
25	AP8149487	Internal chain guard	1	
26	AP8121486	Fairlead	1	

Group	FRAME
Code	28.10
Description	Connecting rod - rear shock abs.
Service	1



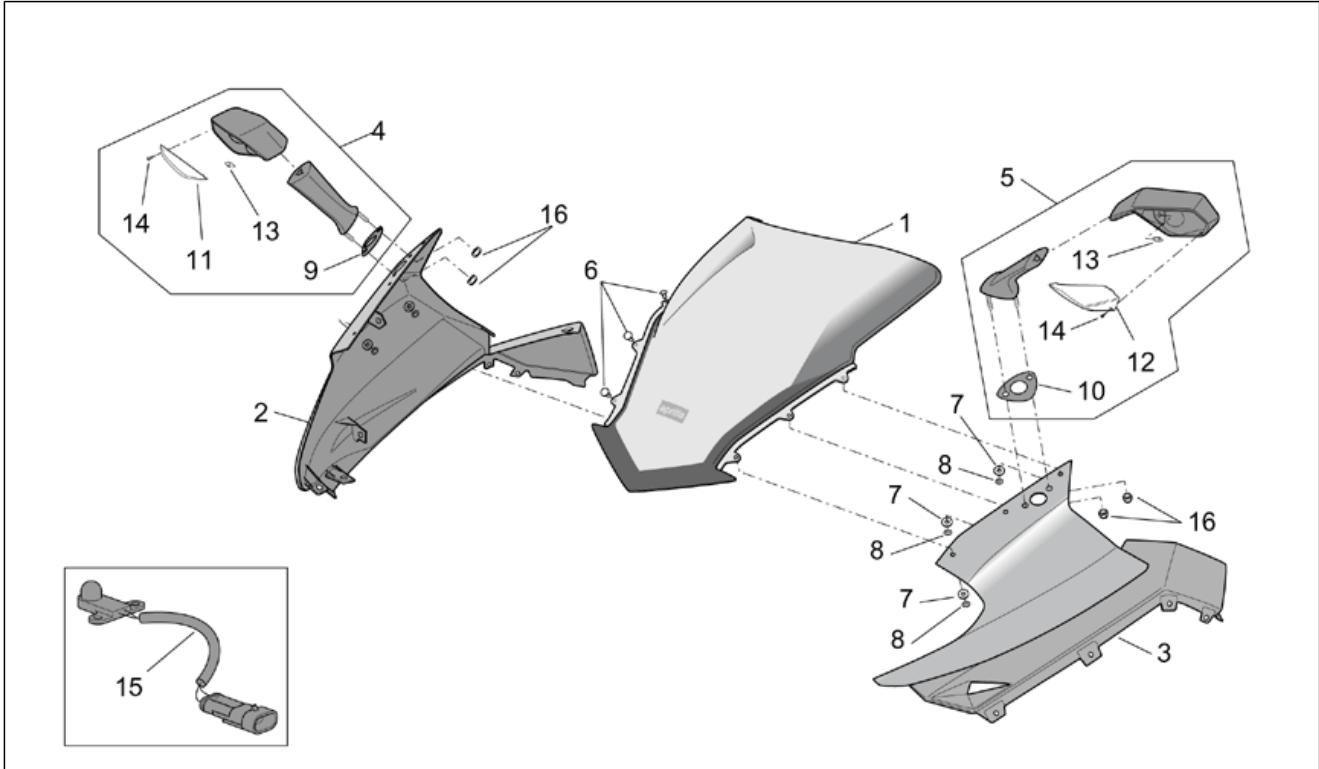
Pos.	Code	Description	Qty	Variants
1	AP8123893	Shock absorber	1	
2	AP8146251	Double conrod	2	
3	AP8146340	Single conrod comp.	1	
4	AP8135924	Double connecting rod pin L40	3	
5	AP8110065	Cage à rouleaux	6	
6	AP8110068	Oil seal D18x24x3	6	
7	AP8121476	Pin	1	
8	AP8152322	Screw w/ flange M10x65	3	
9	AP8152301	Self-locking nut	5	
10	AP8150458	Hex socket screw M10x63	1	
11	AP8121155	T bush *	2	
12	AP8144314	Silent-block	1	
13	AP8110103	Ball joint	1	
14	AP8163108	Preload	1	

Group	FRAME
Code	28.11
Description	Front body - Front fairing
Service	1



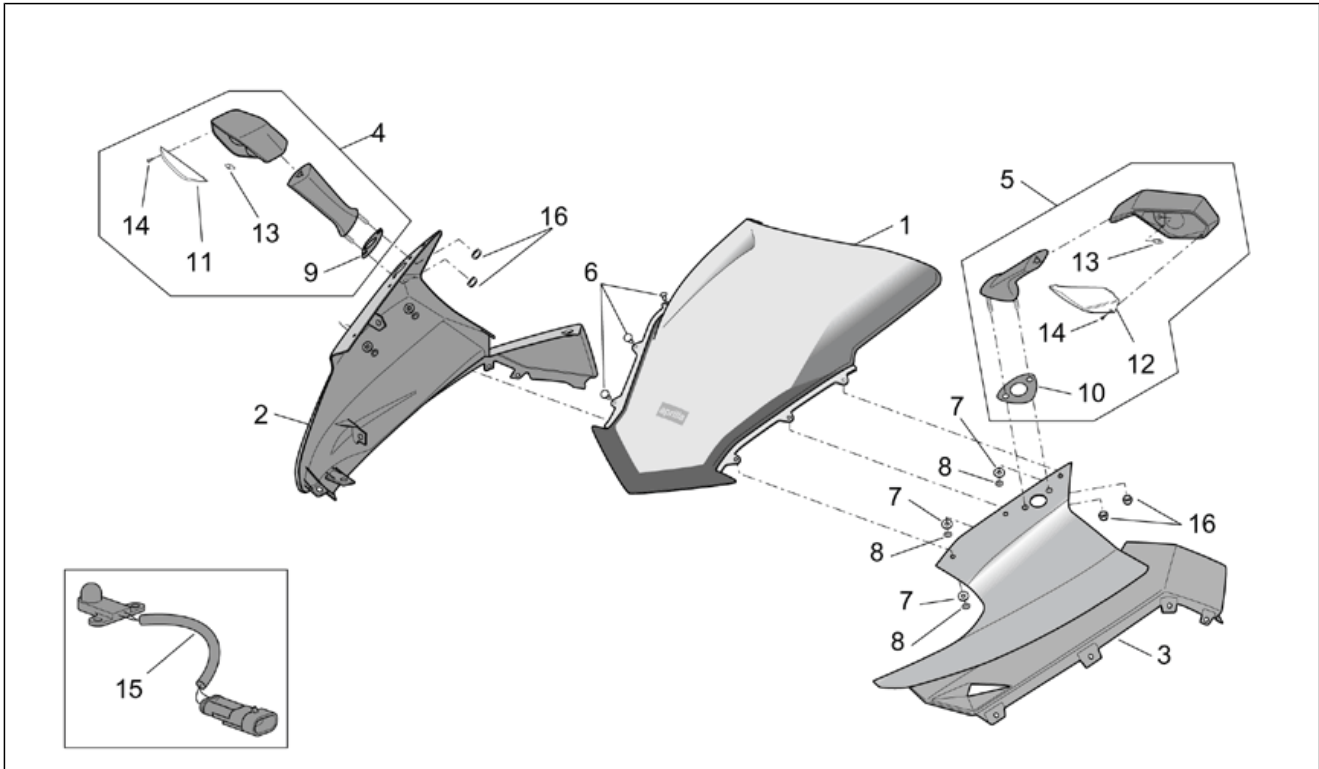
Pos.	Code	Description	Qty	Variants
1	AP8149772	Windshield	1	Country:Australia[AA], USA (49 Countries Approval)[AM], Australia[AUS], USA (California Approval)[CF], United States of America[USA]
1	AP8158159	Windshield	1	Year:2001[1], 2002[2] Country:Austria[A], Belgium[B], Belgium[BB], Switzerland[CH], Germany[D], Denmark[DK], Spain[E], A, B, CH, D, DK, E, F, I, NL, P[EU], France[F], France[FF], Italy[I], Japan[J], Japan[JJ], Holland[NL], Portugal[P], Great Britain[UK]
1	AP8168859	Windshield	1	Year:2003[3] Vehicle colour:Darkness Black 2003[d.black], Hilton Blue 2003[h.blu]
2	AP8149969	RH front fairing,silver	1	Year:2001[1], 2002[2] Vehicle colour:Stream silver 2001-2002[s.sil]
2	AP8158056	RH front fairing, red	1	Year:2001[1], 2002[2] Vehicle colour:Flame Red 2001-2002[f.red]
2	AP8158070	RH front fairing, blue	1	Year:2001[1], 2002[2] Vehicle colour:Infinity Blue 2001-2002[i.blu]
2	AP8158843	RH front fairing, grey	1	Year:2002[2] Vehicle colour:Ash greu 2002[ash.g]
2	AP8168850	RH front fairing, black	1	Year:2003[3] Vehicle colour:Darkness Black 2003[d.black]
2	AP8168866	RH front fairing, blue	1	Year:2003[3] Vehicle colour:Hilton Blue 2003[h.blu]
3	AP8149964	LH front fairing,silver	1	Year:2001[1], 2002[2] Vehicle colour:Stream silver 2001-2002[s.sil]
3	AP8158057	LH front fairing, red	1	Year:2001[1], 2002[2] Vehicle colour:Flame Red 2001-2002[f.red]
3	AP8158071	LH front fairing, blue	1	Year:2001[1], 2002[2] Vehicle colour:Infinity Blue 2001-2002[i.blu]
3	AP8158844	LH front fairing, grey	1	Year:2002[2] Vehicle colour:Ash greu 2002[ash.g]
3	AP8168851	LH front fairing, black	1	Year:2003[3]

Group	FRAME
Code	28.11
Description	Front body - Front fairing
Service	1



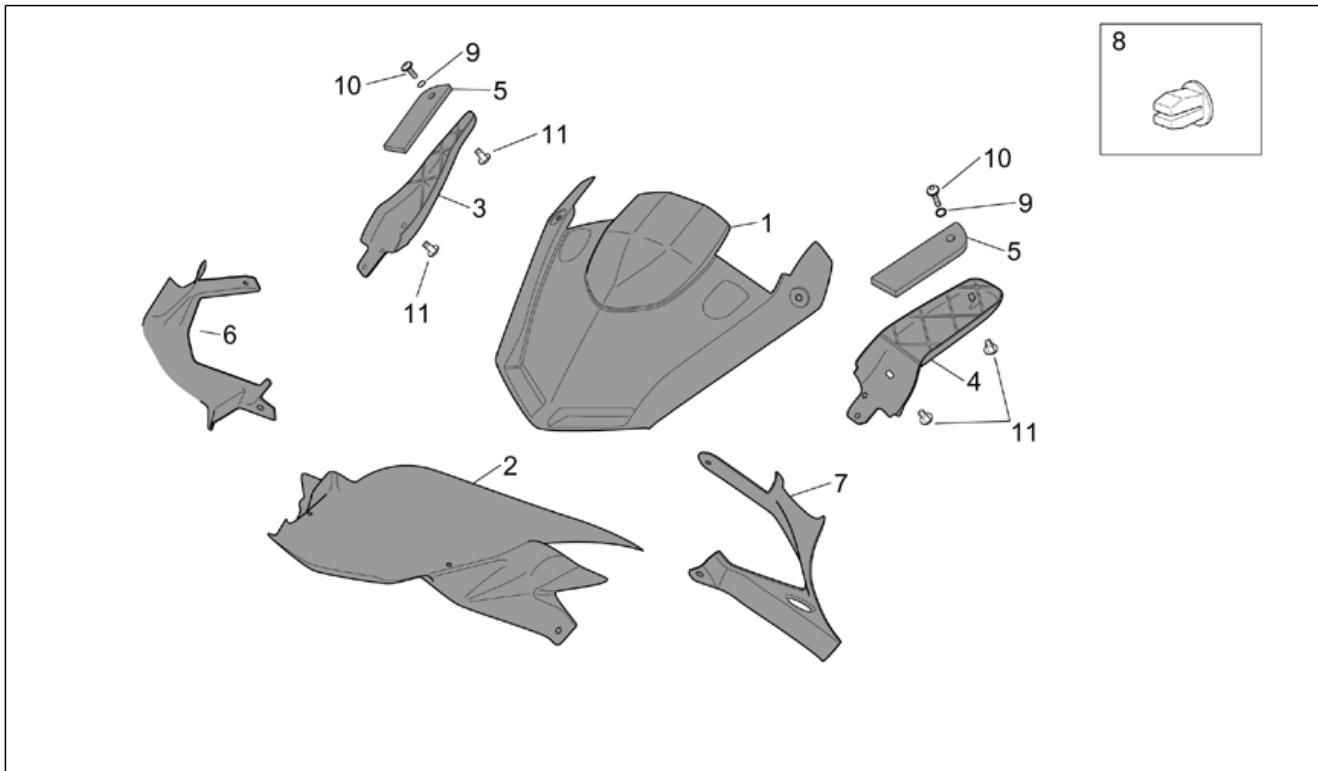
Pos.	Code	Description	Qty	Variants
				Vehicle colour:Darkness Black 2003[d.black]
3	AP8168867	LH front fairing, blue	1	Year:2003[3] Vehicle colour:Hilton Blue 2003[h.blu]
4	AP8104359	RH rearview mirror, silver	1	Year:2001[1], 2002[2] Vehicle colour:Stream silver 2001-2002[s.sil]
4	AP8104368	RH rearview mirror, red	1	Year:2001[1], 2002[2] Vehicle colour:Flame Red 2001-2002[f.red]
4	AP8104370	RH rearview mirror, blue	1	Year:2001[1], 2002[2] Vehicle colour:Infinity Blue 2001-2002[l.blu]
4	AP8104470	RH rearview mirror, black	1	Year:2002[2], 2003[3] Vehicle colour:Ash greu 2002[ash.g], Darkness Black 2003[d.black], Hilton Blue 2003[h.blu]
5	AP8104360	LH rearview mirror, silver	1	Year:2001[1], 2002[2] Vehicle colour:Stream silver 2001-2002[s.sil]
5	AP8104369	LH rearview mirror, red	1	Year:2001[1], 2002[2] Vehicle colour:Flame Red 2001-2002[f.red]
5	AP8104371	LH rearview mirror, blue	1	Year:2001[1], 2002[2] Vehicle colour:Infinity Blue 2001-2002[l.blu]
5	AP8104471	LH rearview mirror, black	1	Year:2002[2], 2003[3] Vehicle colour:Ash greu 2002[ash.g], Darkness Black 2003[d.black], Hilton Blue 2003[h.blu]
6	AP8144109	Fixing pin	6	
7	AP8102504	Rubber spacer	6	
8	AP8150450	Washer for shafts D5	6	
9	AP8104378	RH mirror gasket	1	
10	AP8104379	LH mirror gasket	1	
11	AP8127217	RH Turn indicator f.lens	1	
12	AP8127218	LH front turn indicator lens	1	
13	AP8127222	Lamp	2	
14	AP8127221	screw	2	
15	AP8124936	Air temp. Sensor	1	

Group	FRAME
Code	28.11
Description	Front body - Front fairing
Service	1



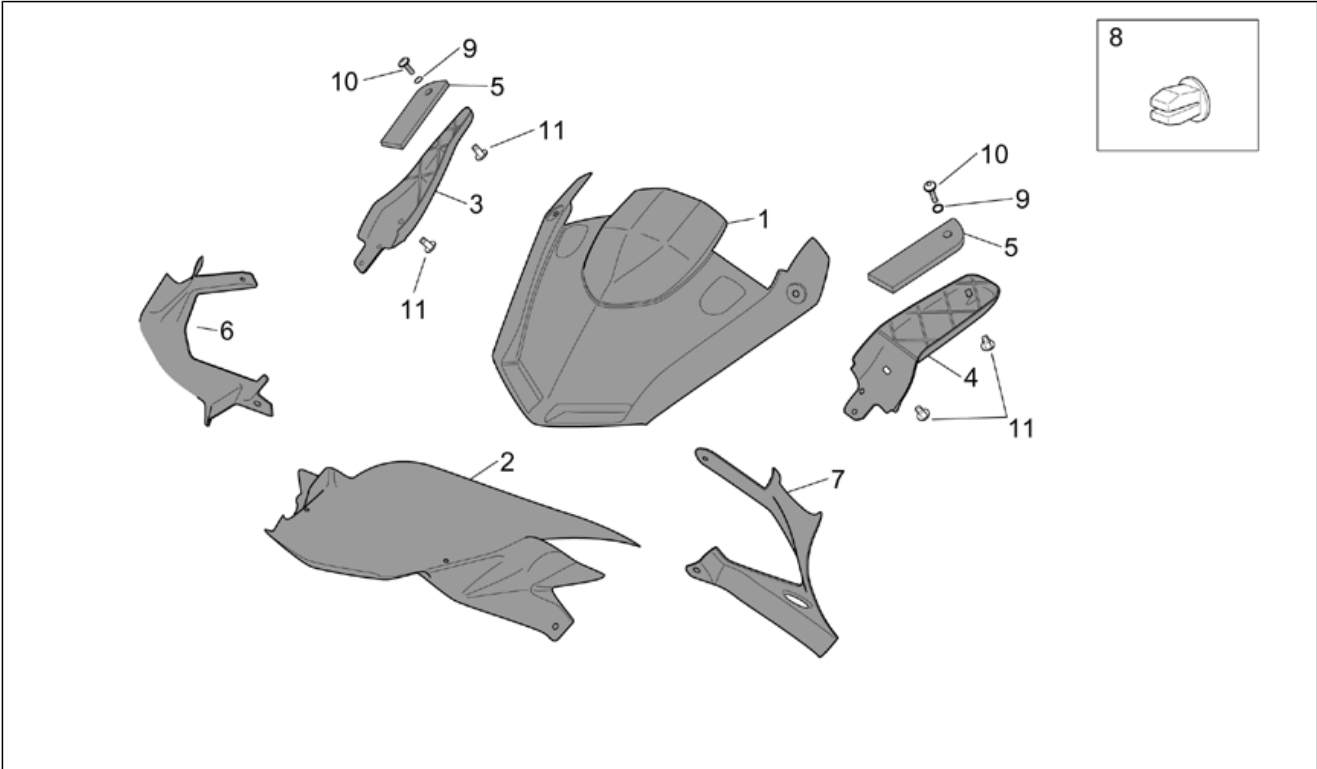
Pos.	Code	Description	Qty	Variants
16	AP8152299	Self-locking nut M6	2	

Group	FRAME
Code	28.12
Description	Front body -Lockups
Service	1



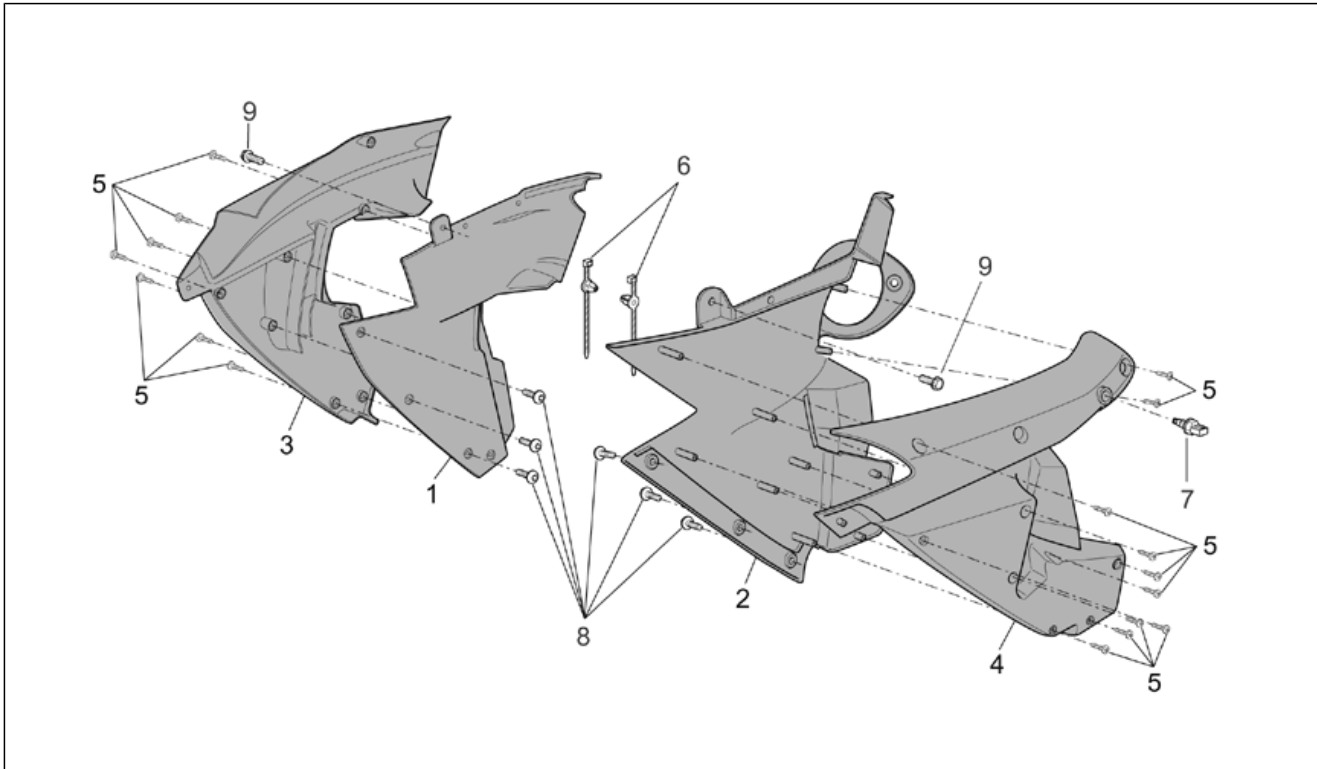
Pos.	Code	Description	Qty	Variants
1	AP8149965	Front fairing-dashboard lockup	1	Year: 2001[1], 2002[2] Vehicle colour: Flame Red 2001-2002[f.red], Infinity Blue 2001-2002[l.blu], Stream silver 2001-2002[s.sil]
1	AP8158853	Front fairing-dashboard lockup	1	Year: 2002[2], 2003[3] Vehicle colour: Ash greu 2002[ash.g], Darkness Black 2003[d.black], Hilton Blue 2003[h.blu]
2	AP8158062	Headlight Low lockup	1	Year: 2001[1], 2002[2] Vehicle colour: Flame Red 2001-2002[f.red], Infinity Blue 2001-2002[l.blu], Stream silver 2001-2002[s.sil]
2	AP8158850	Headlight Low lockup	1	Year: 2002[2], 2003[3] Vehicle colour: Ash greu 2002[ash.g], Darkness Black 2003[d.black], Hilton Blue 2003[h.blu]
3	AP8158160	RH renewal spur lockup	1	Year: 2001[1], 2002[2] Vehicle colour: Flame Red 2001-2002[f.red], Infinity Blue 2001-2002[l.blu], Stream silver 2001-2002[s.sil]
3	AP8158854	RH renewal spur lockup	1	Year: 2002[2], 2003[3] Vehicle colour: Ash greu 2002[ash.g], Darkness Black 2003[d.black], Hilton Blue 2003[h.blu]
4	AP8158161	LH renewal spur lockup	1	Year: 2001[1], 2002[2] Vehicle colour: Flame Red 2001-2002[f.red], Infinity Blue 2001-2002[l.blu], Stream silver 2001-2002[s.sil]
4	AP8158855	LH renewal spur lockup	1	Year: 2002[2], 2003[3] Vehicle colour: Ash greu 2002[ash.g], Darkness Black 2003[d.black], Hilton Blue 2003[h.blu]
5	AP8144356	Rubber spacer	2	
6	AP8149967	RH Dashboard lockup	1	Year: 2001[1], 2002[2] Vehicle colour: Flame Red 2001-2002[f.red], Infinity Blue 2001-2002[l.blu], Stream silver 2001-2002[s.sil]
6	AP8158851	RH Dashboard lockup	1	Year: 2002[2], 2003[3] Vehicle colour: Ash greu 2002[ash.g], Darkness Black 2003[d.black], Hilton Blue 2003[h.blu]
7	AP8149968	LH Dashboard lockup	1	Year: 2001[1], 2002[2] Vehicle colour: Flame Red 2001-2002[f.red], Infinity Blue 2001-2002[l.blu], Stream silver 2001-2002[s.sil]

Group	FRAME
Code	28.12
Description	Front body -Lockups
Service	1



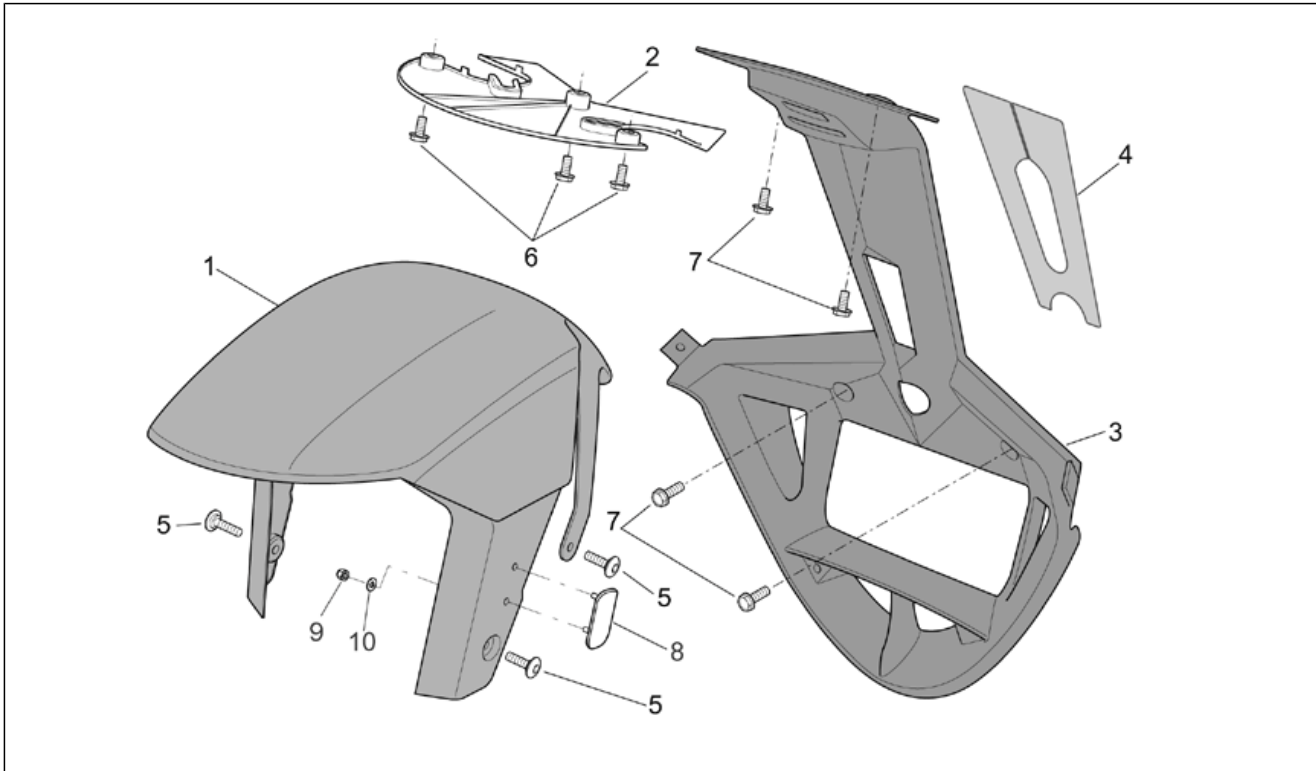
Pos.	Code	Description	Qty	Variants
7	AP8158852	LH Dashboard lockup	1	Year:2002[2], 2003[3] Vehicle colour:Ash greu 2002[ash.g], Darkness Black 2003[d.black], Hilton Blue 2003[h.blu]
8	AP8102671	Plastic rivet	2	
9	AP8120591	Washer 10x5,3x1*	2	
10	AP8152298	Screw w/ flange M5x16	2	
11	AP8121250	Bush	4	

Group	FRAME
Code	28.13
Description	Front body - Duct
Service	1



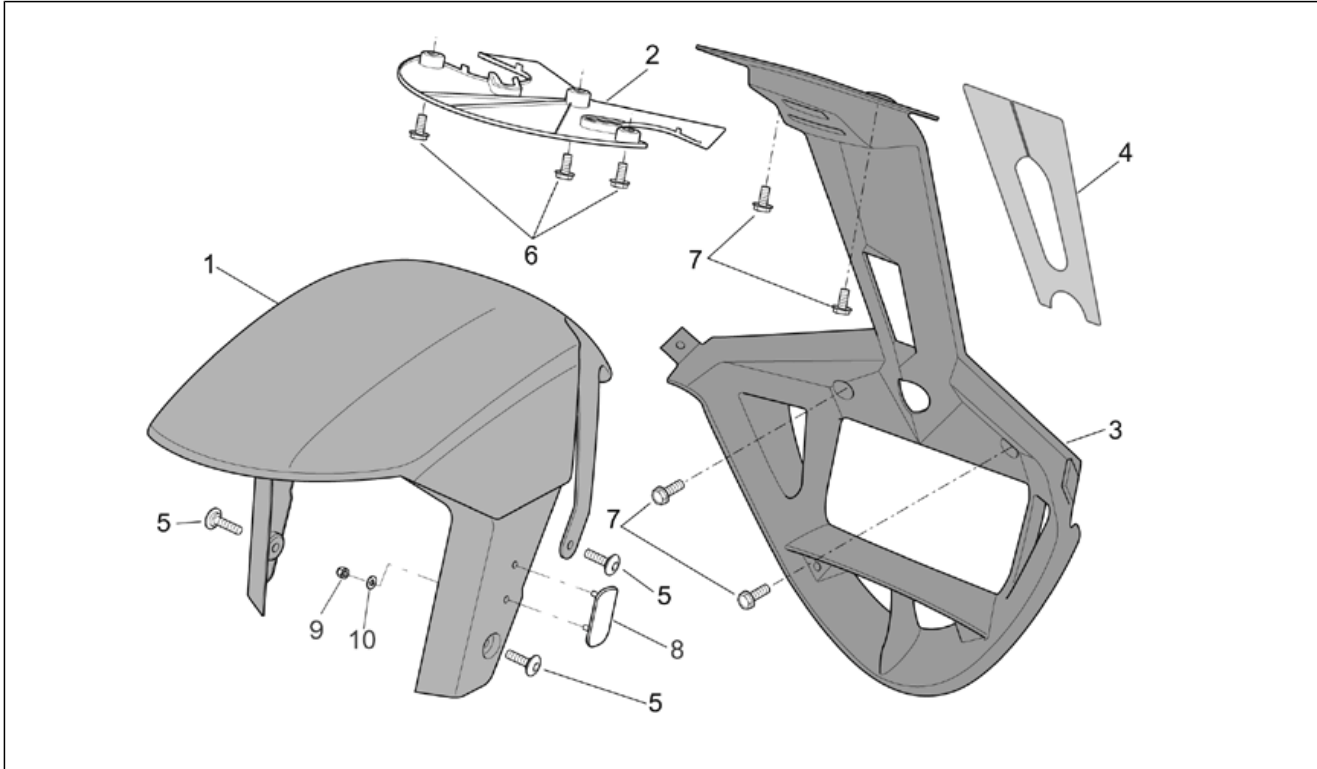
Pos.	Code	Description	Qty	Variants
1	AP8148037	RH internal fairing, black	1	
2	AP8148038	LH internal fairing, black	1	
3	AP8148027	RH air duct	1	
4	AP8148028	LH air duct	1	
5	AP8150413	Self-tap screw 3,9x14	20	
6	AP8201539	Hose clamp	2	
7	AP8124867	Air temp. Sensor	1	
8	AP8152302	Screw w/ flange M5x12	8	
9	AP8152246	Screw w/ flange M6x16	2	

Group	FRAME
Code	28.14
Description	Front body - Front mudguard
Service	1



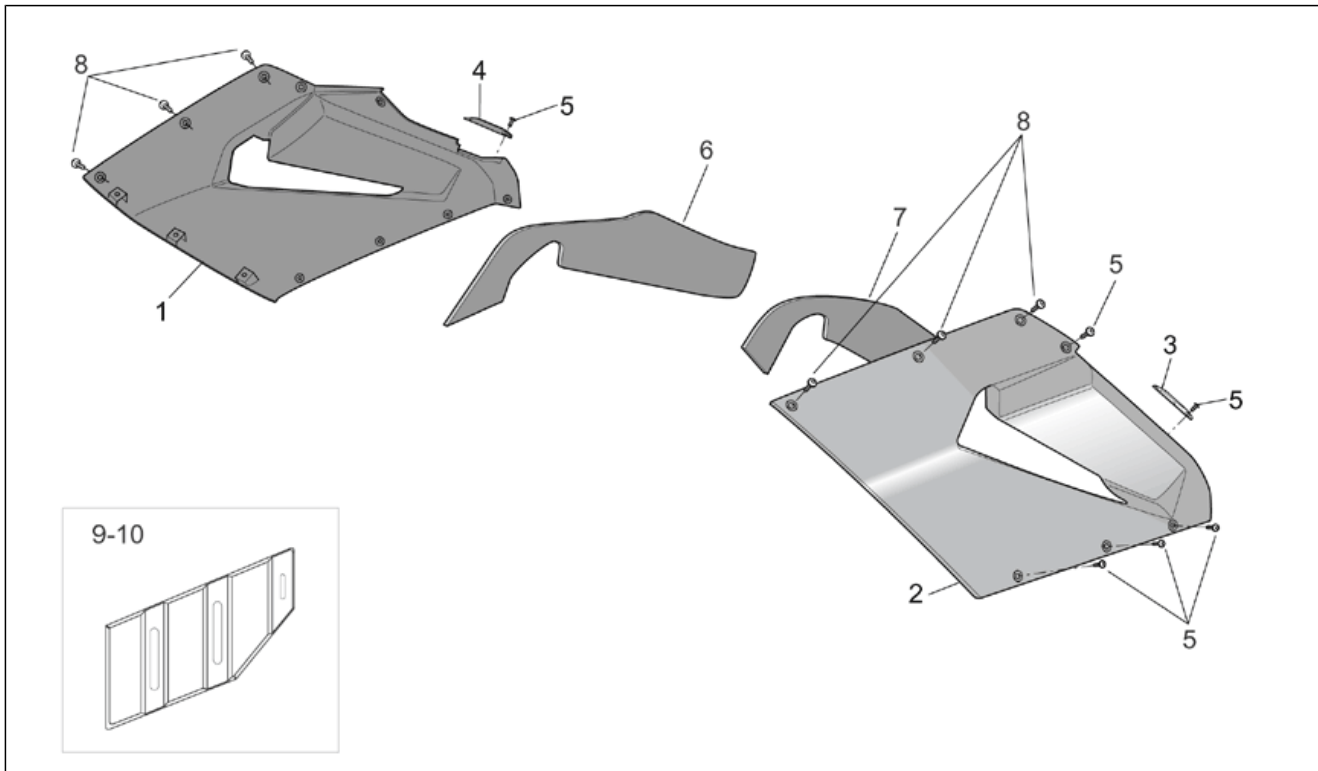
Pos.	Code	Description	Qty	Variants
1	AP8126923	Front mudguard, silver	1	Year: 2001[1], 2002[2] Vehicle colour: Stream silver 2001-2002[s.sil] Country: Austria[A], Australia[AA], Australia[AUS], Belgium[B], Belgium[BB], Switzerland[CH], Germany[D], Denmark[DK], Spain[E], A, B, CH, D, DK, E, F, I, NL, P[EU], France[F], France[FF], Italy[I], Japan[J], Japan[JJ], Holland[NL], Portugal[P], Great Britain[UK]
1	AP8126932	Front mudguard, red	1	Year: 2001[1], 2002[2] Vehicle colour: Flame Red 2001-2002[f.red] Country: Austria[A], Australia[AA], Australia[AUS], Belgium[B], Belgium[BB], Switzerland[CH], Germany[D], Denmark[DK], Spain[E], A, B, CH, D, DK, E, F, I, NL, P[EU], France[F], France[FF], Italy[I], Japan[J], Japan[JJ], Holland[NL], Portugal[P], Great Britain[UK]
1	AP8126933	Front mudguard, blue	1	Year: 2001[1], 2002[2] Vehicle colour: Infinity Blue 2001-2002[l.blu] Country: Austria[A], Australia[AA], Australia[AUS], Belgium[B], Belgium[BB], Switzerland[CH], Germany[D], Denmark[DK], Spain[E], A, B, CH, D, DK, E, F, I, NL, P[EU], France[F], France[FF], Italy[I], Japan[J], Japan[JJ], Holland[NL], Portugal[P], Great Britain[UK]
1	AP8126946	Front mudguard, silver	1	Year: 2001[1], 2002[2] Vehicle colour: Stream silver 2001-2002[s.sil] Country: USA (49 Countries Approval)[AM], USA (California Approval)[CF], United States of America[USA]
1	AP8126955	Front mudguard, red	1	Year: 2001[1], 2002[2] Vehicle colour: Flame Red 2001-2002[f.red] Country: USA (49 Countries Approval)[AM], USA (California Approval)[CF], United States of America[USA]
1	AP8126956	Front mudguard, blue	1	Year: 2001[1], 2002[2] Vehicle colour: Infinity Blue 2001-2002[l.blu] Country: USA (49 Countries Approval)[AM], USA (California Approval)[CF], United States of America[USA]
1	AP8156073	Front mudguard, black	1	Year: 2003[3] Vehicle colour: Darkness Black 2003[d.black]

Group	FRAME
Code	28.14
Description	Front body - Front mudguard
Service	1



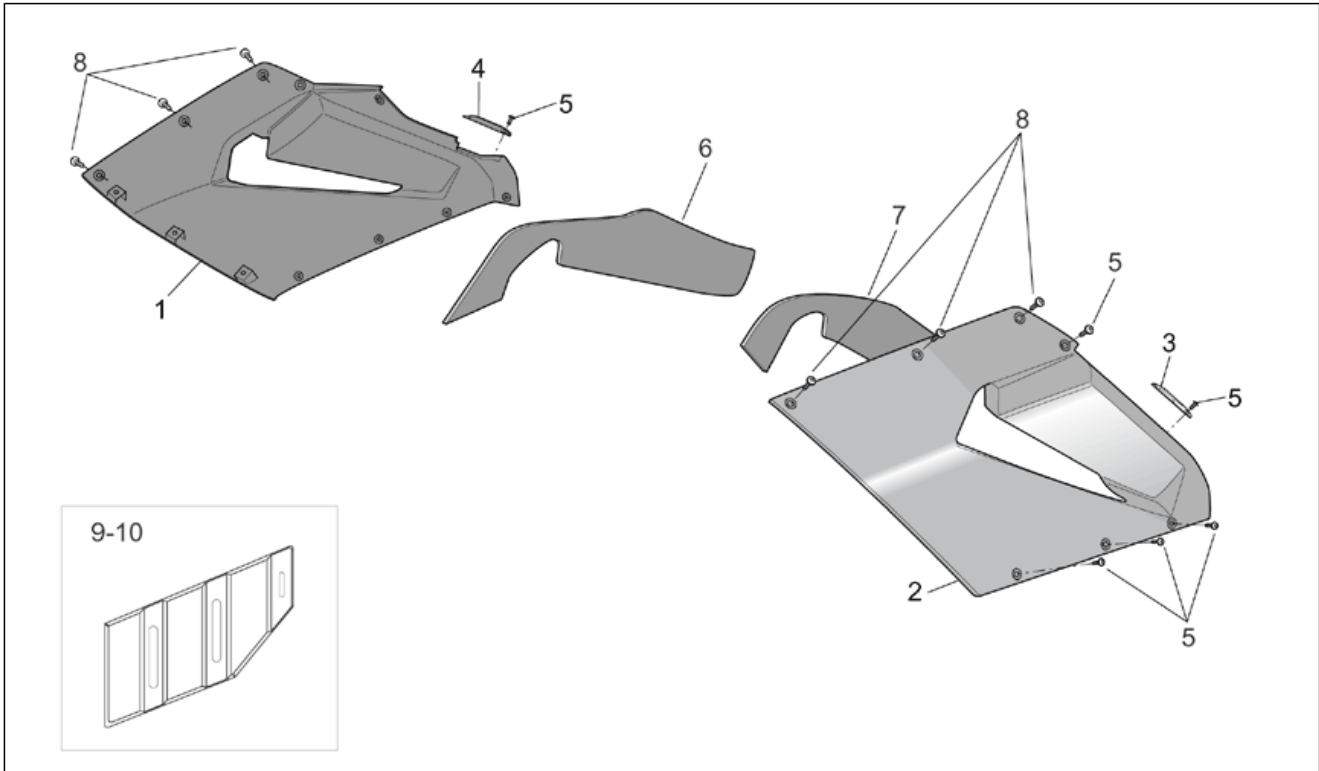
Pos.	Code	Description	Qty	Variants
1	AP8156074	Front mudguard, blue	1	Year: 2003[3] Vehicle colour: Hilton Blue 2003[h.blu]
1	AP8158856	Front mudguard, grey	1	Year: 2002[2] Vehicle colour: Ash greu 2002[ash.g] Country: Austria[A], Australia[AA], Australia[AUS], Belgium[B], Belgium[BB], Switzerland[CH], Germany[D], Denmark[DK], Spain[E], A, B, CH, D, DK, E, F, I, NL, P[EU], France[F], France[FF], Italy[I], Japan[J], Japan[JJ], Holland[NL], Portugal[P], Great Britain[UK]
1	AP8158857	Front mudguard, grey	1	Year: 2002[2] Vehicle colour: Ash greu 2002[ash.g] Country: USA (49 Countries Approval)[AM], USA (California Approval)[CF], United States of America[USA]
2	AP8148551	Front fairing lower lockup	1	
3	AP8148024	Pillar	1	
4	AP8117129	Spoiler heat protection	1	
5	AP8152302	Screw w/ flange M5x12	4	
6	AP8152277	Screw w/ flange M6x12	2	
7	AP8152278	Screw w/ flange M6x16	4	
8	AP8124719	Reflector, amber	2	Country: USA (49 Countries Approval)[AM], USA (California Approval)[CF], United States of America[USA]
9	AP8150204	Nut M4	4	Country: USA (49 Countries Approval)[AM], USA (California Approval)[CF], United States of America[USA]
10	AP8150158	Washer 4,3X9X0,8	4	Country: USA (49 Countries Approval)[AM], USA (California Approval)[CF], United States of America[USA]

Group	FRAME
Code	28.15
Description	Central body - Upper fairings
Service	1



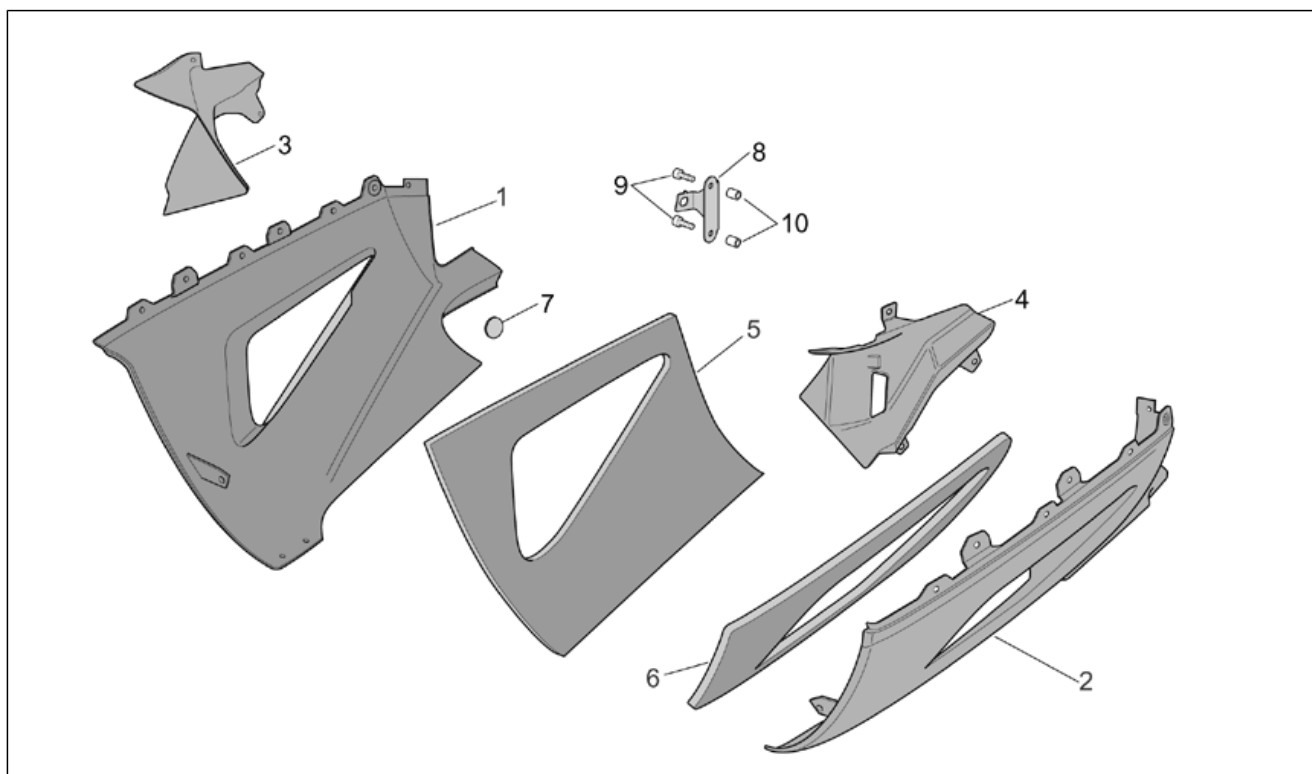
Pos.	Code	Description	Qty	Variants
1	AP8149970	RH lat.fairing, silver	1	Year:2001[1], 2002[2] Vehicle colour:Stream silver 2001-2002[s.sil]
1	AP8158058	RH lat.fairing, red	1	Year:2001[1], 2002[2] Vehicle colour:Flame Red 2001-2002[f.red]
1	AP8158072	RH lat.fairing, blue	1	Year:2001[1], 2002[2] Vehicle colour:Infinity Blue 2001-2002[l.blu]
1	AP8158866	RH lat.fairing, grey	1	Year:2002[2] Vehicle colour:Ash greu 2002[ash.g]
1	AP8168852	RH lat.fairing, black	1	Year:2003[3] Vehicle colour:Darkness Black 2003[d.black]
1	AP8168868	RH lat.fairing, blue	1	Year:2003[3] Vehicle colour:Hilton Blue 2003[h.blu]
2	AP8149971	LH lat.fairing, silver	1	Year:2001[1], 2002[2] Vehicle colour:Stream silver 2001-2002[s.sil]
2	AP8158059	LH lat.fairing, red	1	Year:2001[1], 2002[2] Vehicle colour:Flame Red 2001-2002[f.red]
2	AP8158073	LH lat.fairing, blue	1	Year:2001[1], 2002[2] Vehicle colour:Infinity Blue 2001-2002[l.blu]
2	AP8158867	LH lat.fairing, grey	1	Year:2002[2] Vehicle colour:Ash greu 2002[ash.g]
2	AP8168853	LH lat.fairing, black	1	Year:2003[3] Vehicle colour:Darkness Black 2003[d.black]
2	AP8168869	LH lat.fairing, blue	1	Year:2003[3] Vehicle colour:Hilton Blue 2003[h.blu]
3	AP8149976	Oil plug lockup	1	
4	AP8149977	Water plug lockup	1	
5	AP8152298	Screw w/ flange M5x16	10	
6	AP8117155	Acoustic insulation panel, RH	1	
7	AP8117156	Acoustic insulation panel, LH	1	
8	AP8152302	Screw w/ flange M5x12	6	
9	AP8167214	LH lat.fairing plate	1	

Group	FRAME
Code	28.15
Description	Central body - Upper fairings
Service	1



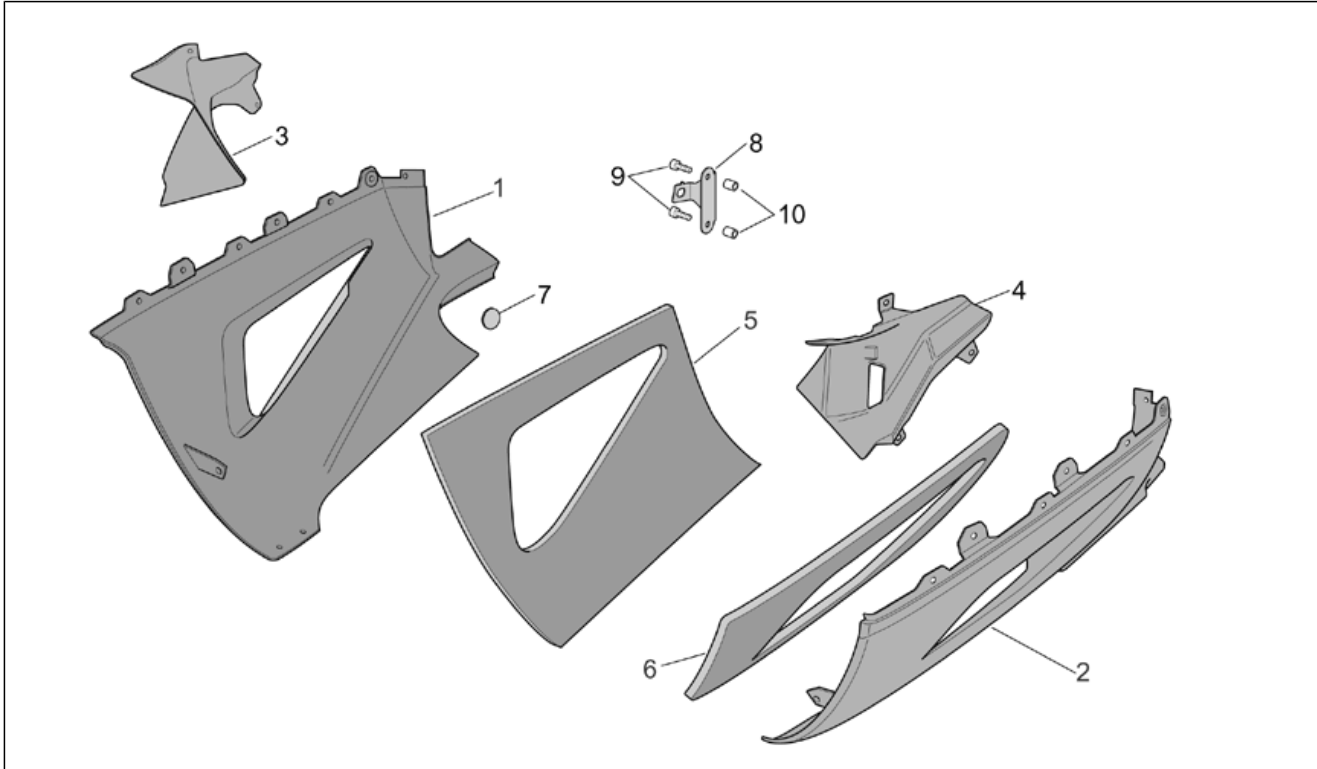
Pos.	Code	Description	Qty	Variants
10	AP8167213	RH lat.fairing plate	1	

Group	FRAME
Code	28.16
Description	Central body - Lower fairings
Service	1



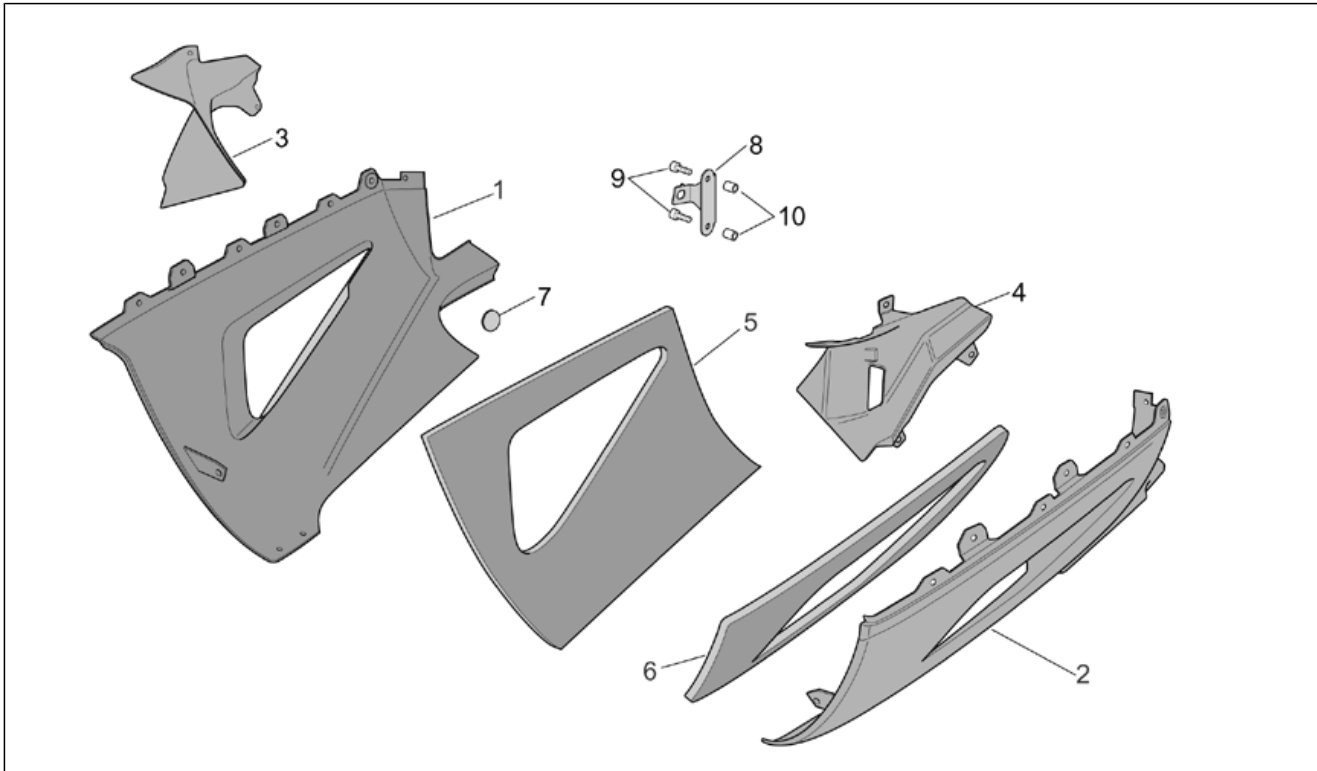
Pos.	Code	Description	Qty	Variants
1	AP8149972	RH lower fairing, silver	1	Year: 2001[1], 2002[2] Vehicle colour: Stream silver 2001-2002[s.sil] Country: Austria[A], Australia[AA], Australia[AUS], Belgium[B], Belgium[BB], Switzerland[CH], Germany[D], Denmark[DK], Spain[E], A, B, CH, D, DK, E, F, I, NL, P[EU], France[F], France[FF], Italy[I], Japan[J], Japan[JJ], Holland[NL], Portugal[P], Great Britain[UK]
1	AP8149972	RH lower fairing, silver	1	Year: 2001[1], 2002[2] Vehicle colour: Stream silver 2001-2002[s.sil] Country: USA (49 Countries Approval)[AM], United States of America[USA] Technical Specifications: 49 Countries Approval[49st]
1	AP8158060	RH lower fairing, red	1	Year: 2001[1], 2002[2] Vehicle colour: Flame Red 2001-2002[f.red] Country: USA (49 Countries Approval)[AM], United States of America[USA] Technical Specifications: 49 Countries Approval[49st]
1	AP8158060	RH lower fairing, red	1	Year: 2001[1], 2002[2] Vehicle colour: Flame Red 2001-2002[f.red] Country: Austria[A], Australia[AA], Australia[AUS], Belgium[B], Belgium[BB], Switzerland[CH], Germany[D], Denmark[DK], Spain[E], A, B, CH, D, DK, E, F, I, NL, P[EU], France[F], France[FF], Italy[I], Japan[J], Japan[JJ], Holland[NL], Portugal[P], Great Britain[UK]
1	AP8158074	RH lower fairing, blu	1	Year: 2001[1], 2002[2] Vehicle colour: Infinity Blue 2001-2002[l.blu] Country: Austria[A], Australia[AA], Australia[AUS], Belgium[B], Belgium[BB], Switzerland[CH], Germany[D], Denmark[DK], Spain[E], A, B, CH, D, DK, E, F, I, NL, P[EU], France[F], France[FF], Italy[I], Japan[J], Japan[JJ], Holland[NL], Portugal[P], Great Britain[UK]
1	AP8158074	RH lower fairing, blu	1	Year: 2001[1], 2002[2] Vehicle colour: Infinity Blue 2001-2002[l.blu] Country: USA (49 Countries Approval)[AM], United States of America[USA] Technical Specifications: 49 Countries Approval[49st]

Group	FRAME
Code	28.16
Description	Central body - Lower fairings
Service	1



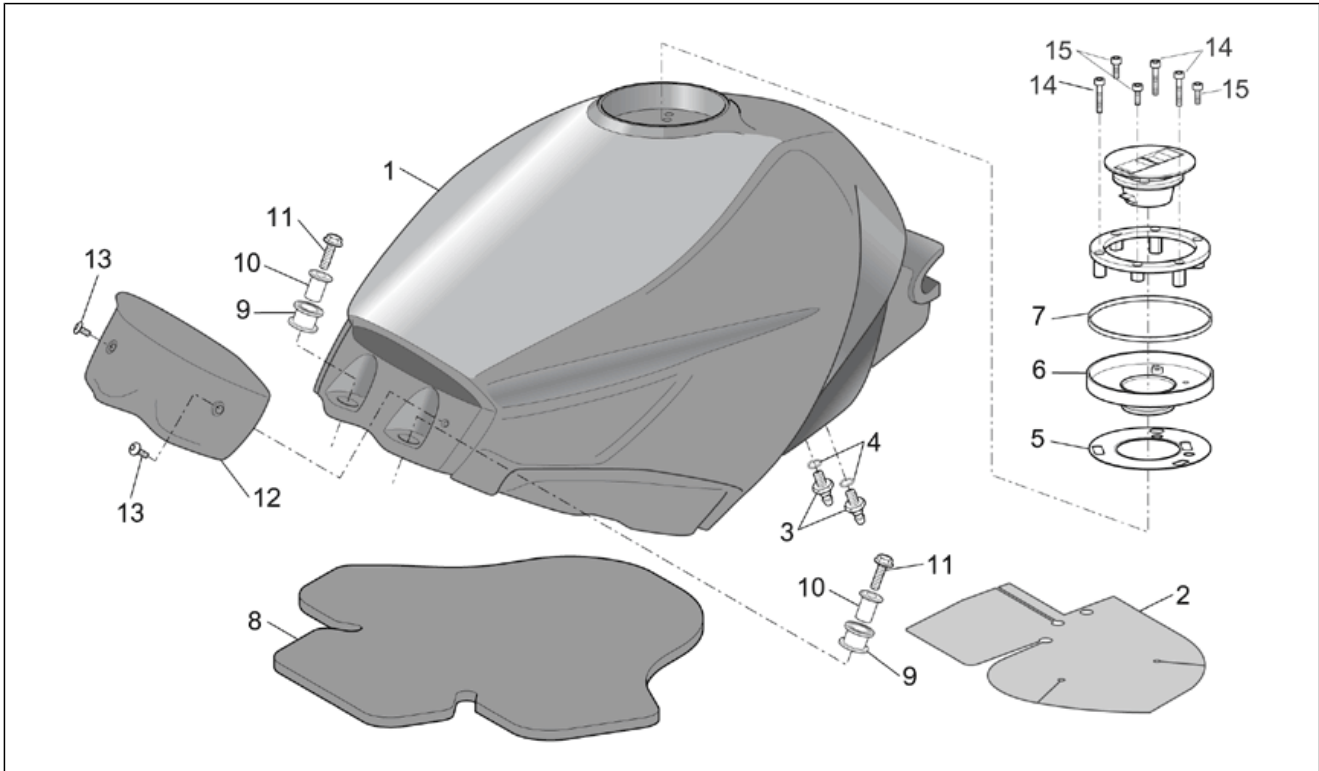
Pos.	Code	Description	Qty	Variants
1	AP8158338	RH lower fairing, silver	1	Year: 2001[1], 2002[2] Vehicle colour: Stream silver 2001-2002[s.sil] Country: USA (California Approval)[CF], United States of America[USA] Technical Specifications: California Approval[CAL]
1	AP8158339	RH lower fairing, red	1	Year: 2001[1], 2002[2] Vehicle colour: Flame Red 2001-2002[f.red] Country: USA (California Approval)[CF], United States of America[USA] Technical Specifications: California Approval[CAL]
1	AP8158340	RH lower fairing, blu	1	Year: 2001[1], 2002[2] Vehicle colour: Infinity Blue 2001-2002[i.blu] Country: USA (California Approval)[CF], United States of America[USA] Technical Specifications: California Approval[CAL]
1	AP8158847	RH lower fairing, grey	1	Year: 2002[2] Vehicle colour: Ash greu 2002[ash.g] Country: USA (49 Countries Approval)[AM], United States of America[USA] Technical Specifications: 49 Countries Approval[49st]
1	AP8158847	RH lower fairing, grey	1	Year: 2002[2] Vehicle colour: Ash greu 2002[ash.g] Country: Austria[A], Australia[AA], Australia[AUS], Belgium[B], Belgium[BB], Switzerland[CH], Germany[D], Denmark[DK], Spain[E], A, B, CH, D, DK, E, F, I, NL, P[EU], France[F], France[FF], Italy[I], Japan[J], Japan[JJ], Holland[NL], Portugal[P], Great Britain[UK]
1	AP8158849	RH lower fairing, grey	1	Year: 2002[2] Vehicle colour: Ash greu 2002[ash.g] Country: USA (California Approval)[CF], United States of America[USA] Technical Specifications: California Approval[CAL]
1	AP8168854	RH lower fairing, grey	1	Year: 2003[3] Vehicle colour: Darkness Black 2003[d.black], Hilton Blue 2003[h.blu]

Group	FRAME
Code	28.16
Description	Central body - Lower fairings
Service	1



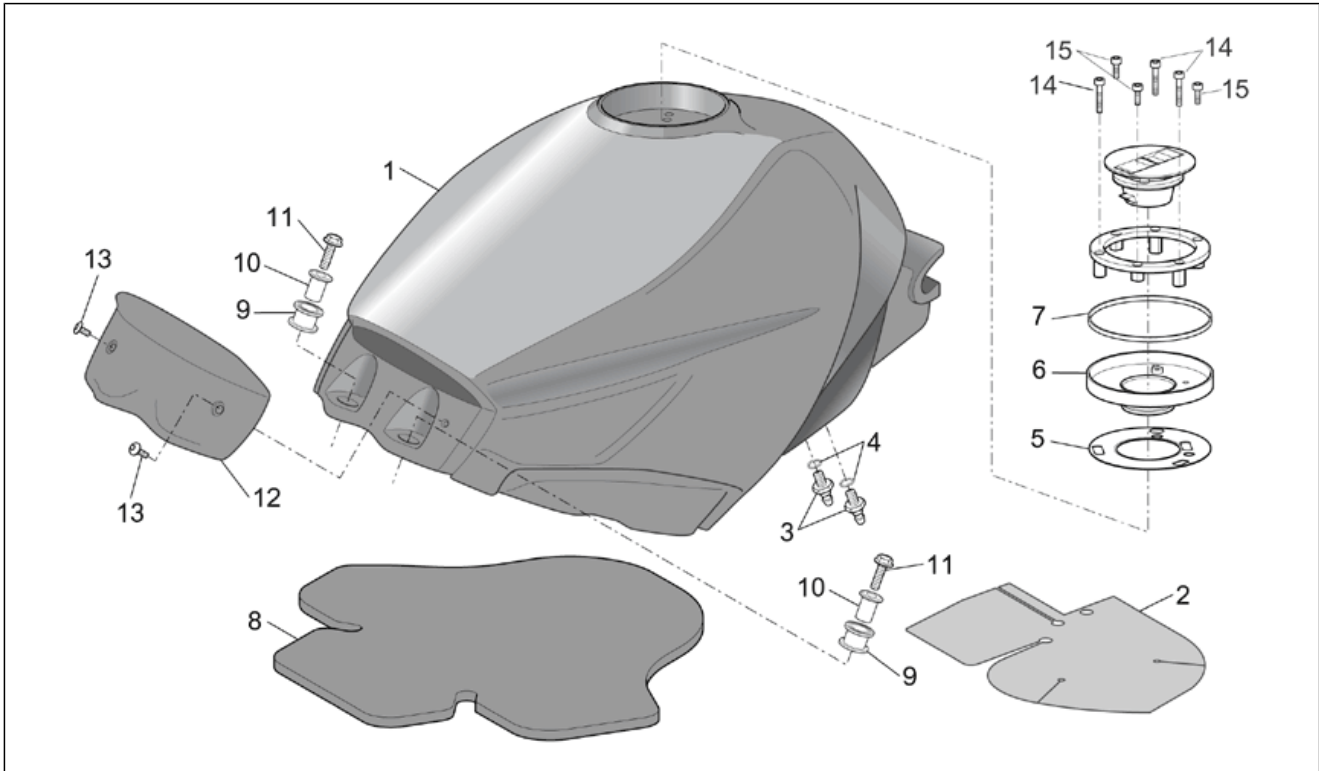
Pos.	Code	Description	Qty	Variants
2	AP8149973	LH lower fairing, silver	1	Year:2001[1], 2002[2] Vehicle colour:Stream silver 2001-2002[s.sil]
2	AP8158061	LH lower fairing, red	1	Year:2001[1], 2002[2] Vehicle colour:Flame Red 2001-2002[f.red]
2	AP8158075	LH lower fairing, blu	1	Year:2001[1], 2002[2] Vehicle colour:Infinity Blue 2001-2002[l.blu]
2	AP8158848	LH lower fairing, grey	1	Year:2002[2] Vehicle colour:Ash greu 2002[ash.g]
2	AP8168855	LH lower fairing, grey	1	Year:2003[3] Vehicle colour:Darkness Black 2003[d.black], Hilton Blue 2003[h.blu]
3	AP8149050	RH air intake shield	1	
4	AP8149051	LH air intake shield	1	
5	AP8117157	Acoustic insul. panel, RH low.	1	
6	AP8117158	Acoustic insul. panel, LH low.	1	
7	AP8121506	Heat protection spacer	1	
8	AP8134686	Fairing fixing plate	1	
9	AP8150453	Hex socket screw M5x30	2	
10	AP8121041	Spacer *	2	

Group	FRAME
Code	28.17
Description	Fuel tank
Service	1



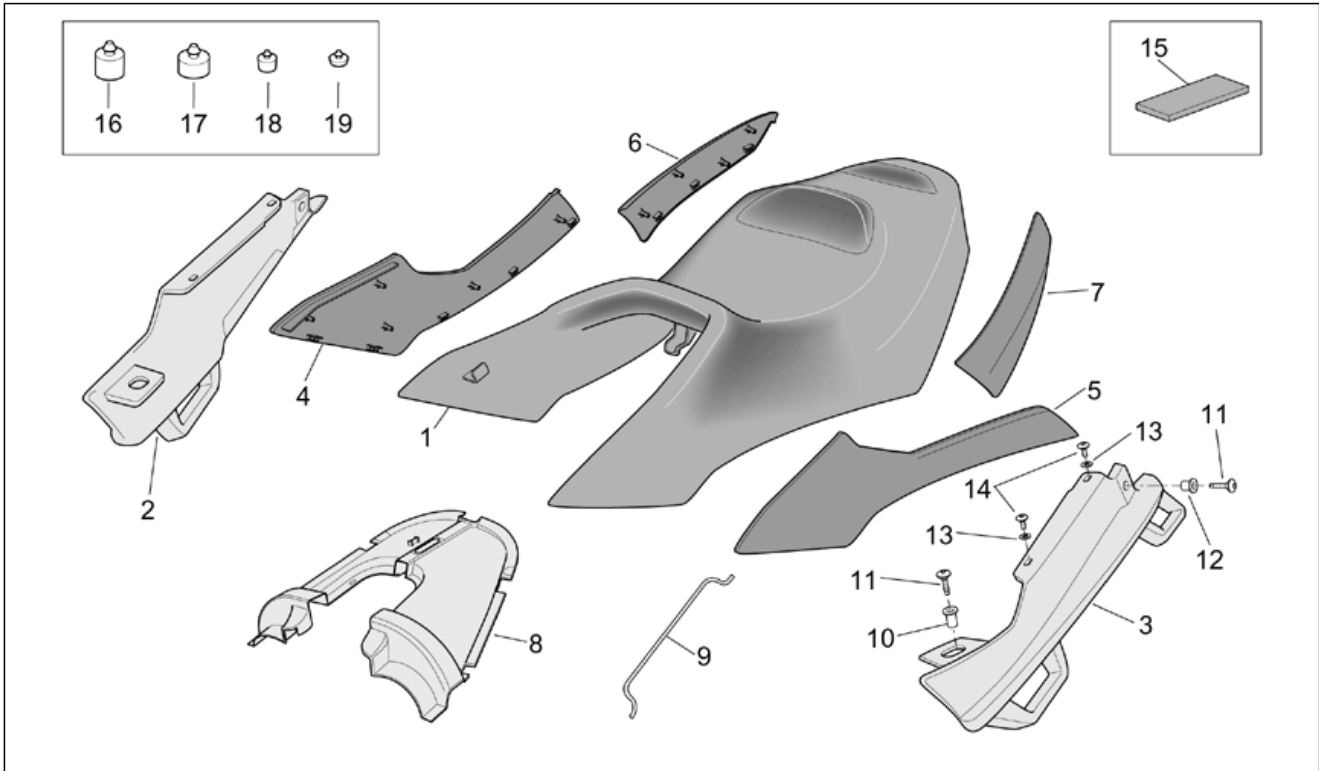
Pos.	Code	Description	Qty	Variants
1	AP8158031	Fuel tank, silver	1	Year:2001[1], 2002[2] Vehicle colour:Stream silver 2001-2002[s.sil]
1	AP8158055	Fuel tank, red	1	Year:2001[1], 2002[2] Vehicle colour:Flame Red 2001-2002[f.red]
1	AP8158069	Fuel tank, blue	1	Year:2001[1], 2002[2] Vehicle colour:Infinity Blue 2001-2002[i.blu]
1	AP8158842	Fuel tank, grey	1	Year:2002[2] Vehicle colour:Ash greu 2002[ash.g]
1	AP8168849	Fuel tank, black	1	Year:2003[3] Vehicle colour:Darkness Black 2003[d.black]
1	AP8168865	Fuel tank, blue	1	Year:2003[3] Vehicle colour:Hilton Blue 2003[h.blu]
2	AP8117179	Fuel tank heat protection	1	
3	AP8102503	Hose holder union	2	
4	AP8120965	O-ring 2018	2	
5	AP8120894	Fuel tank gasket	1	Country:Austria[A], Australia[AA], Australia[AUS], Belgium[B], Belgium[BB], Switzerland[CH], Germany[D], Denmark[DK], Spain[E], A, B, CH, D, DK, E, F, I, NL, P[EU], France[F], France[FF], Italy[I], Japan[J], Japan[JJ], Holland[NL], Portugal[P], Great Britain[UK]
5	AP8120894	Fuel tank gasket	1	Country:USA (49 Countries Approval)[AM], United States of America[USA] Technical Specifications:49 Countries Approval[49st]
5	AP8144351	Fuel tank gasket	1	Country:USA (California Approval)[CF], United States of America[USA] Technical Specifications:California Approval[CAL]
6	AP8102535	Float chamber	1	
7	AP8120893	Cap seal	1	
8	AP8117127	F.Tank acoustic insul. Panel	1	
9	AP8144328	Rubber spacer	2	
10	AP8121421	T bush	2	
11	AP8152281	Screw w/ flange M6x30	2	

Group	FRAME
Code	28.17
Description	Fuel tank
Service	1



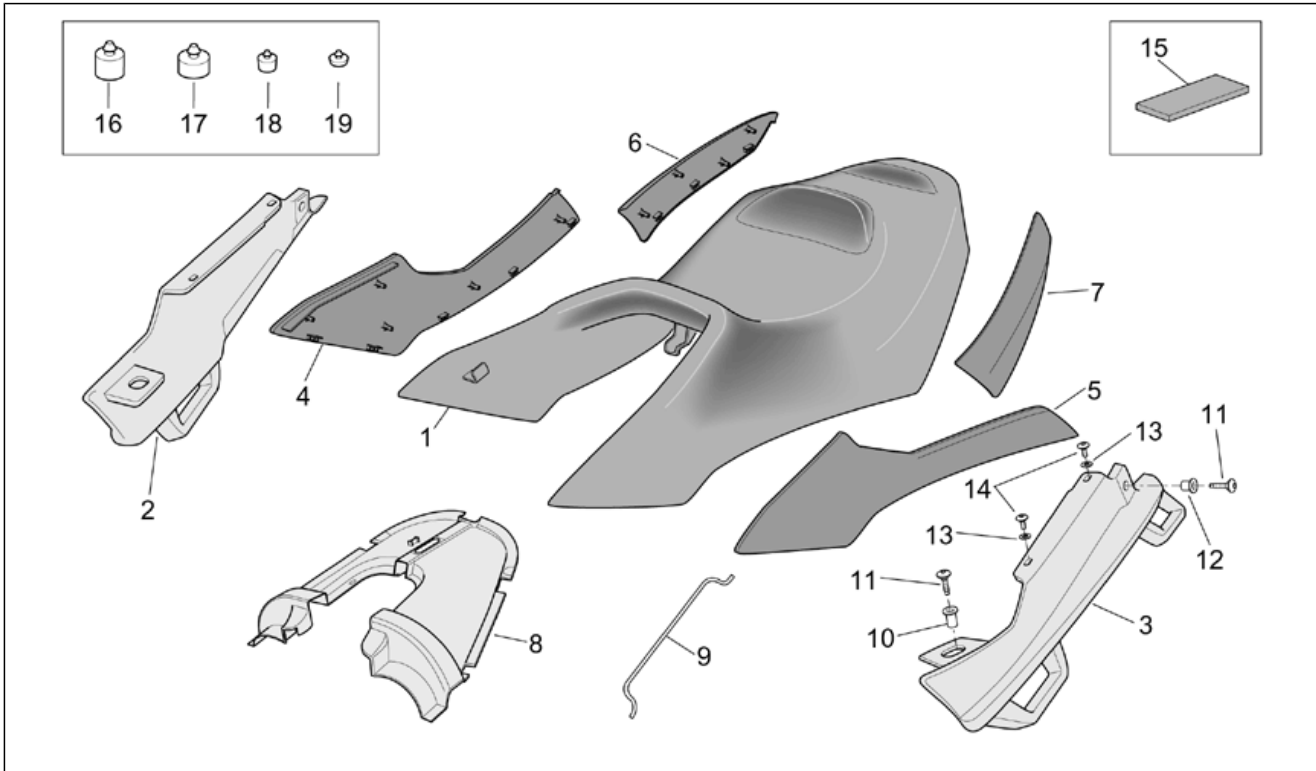
Pos.	Code	Description	Qty	Variants
12	AP8149963	Tank cover	1	Year:2001[1], 2002[2] Vehicle colour:Flame Red 2001-2002[f.red], Infinity Blue 2001-2002[l.blu], Stream silver 2001-2002[s.sil]
12	AP8158858	Tank cover	1	Year:2002[2], 2003[3] Vehicle colour:Ash greu 2002[ash.g], Darkness Black 2003[d.black], Hilton Blue 2003[h.blu]
13	AP8152171	Hex socket screw	2	
14	AP8150453	Hex socket screw M5x30	3	
15	AP8150454	Hex socket screw M5x16	3	

Group	FRAME
Code	28.18
Description	Saddle
Service	1



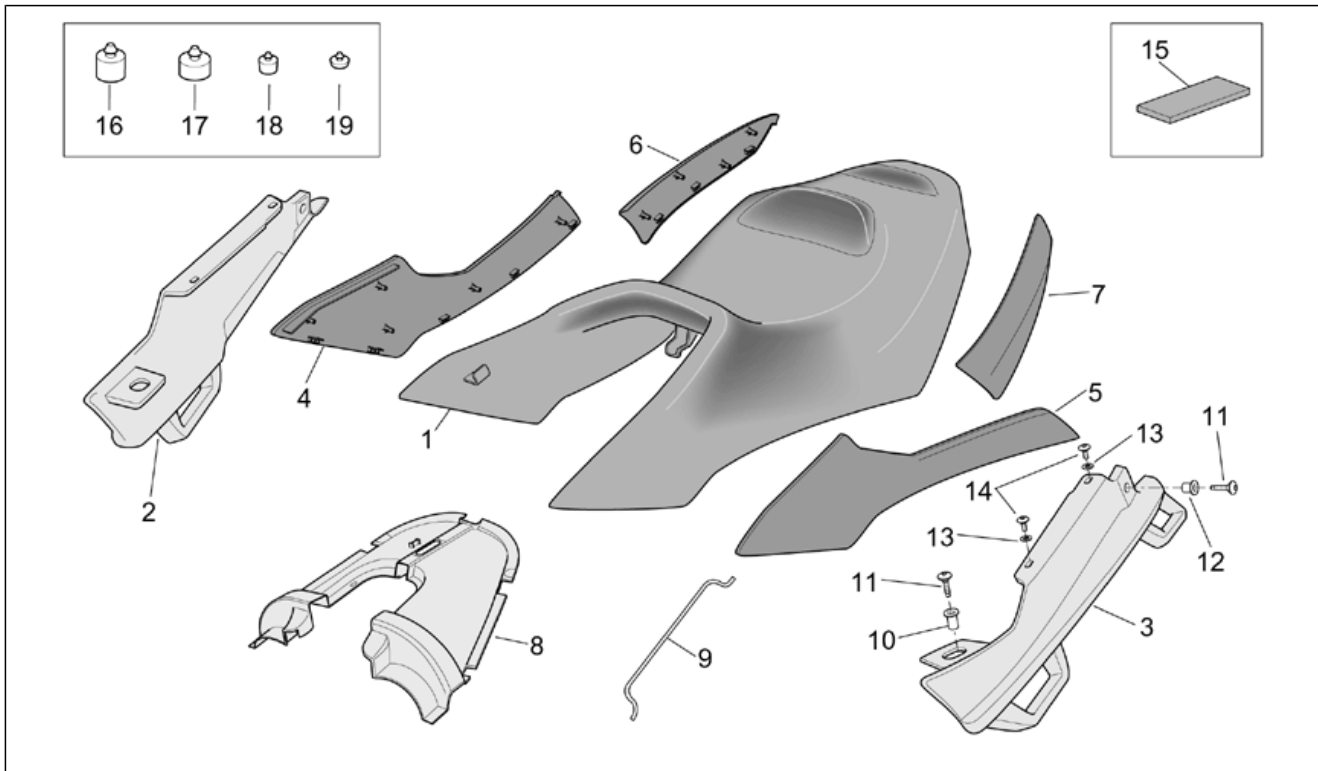
Pos.	Code	Description	Qty	Variants
1	AP8129258	Saddle	1	Year:2001[1], 2002[2]
1	AP8129395	Saddle	1	Year:2003[3] Vehicle colour:Darkness Black 2003[d.black]
1	AP8129396	Saddle	1	Year:2003[3] Vehicle colour:Hilton Blue 2003[h.blu]
2	AP8134717	RH bags support, silver	1	Year:2001[1], 2002[2] Vehicle colour:Stream silver 2001-2002[s.sil]
2	AP8158063	RH bags support, red	1	Year:2001[1], 2002[2] Vehicle colour:Flame Red 2001-2002[f.red]
2	AP8158077	RH bags support, blue	1	Year:2001[1], 2002[2] Vehicle colour:Infinity Blue 2001-2002[l.blu]
2	AP8158859	RH Side case sup.sup., grey	1	Year:2002[2], 2003[3] Vehicle colour:Ash greu 2002[ash.g], Darkness Black 2003[d.black], Hilton Blue 2003[h.blu]
3	AP8134718	LH bags support, silver	1	Year:2001[1], 2002[2] Vehicle colour:Stream silver 2001-2002[s.sil]
3	AP8158064	LH bags support, red	1	Year:2001[1], 2002[2] Vehicle colour:Flame Red 2001-2002[f.red]
3	AP8158078	LH bags support, blu	1	Year:2001[1], 2002[2] Vehicle colour:Infinity Blue 2001-2002[l.blu]
3	AP8158860	LH Side case sup.sup., grey	1	Year:2002[2], 2003[3] Vehicle colour:Ash greu 2002[ash.g], Darkness Black 2003[d.black], Hilton Blue 2003[h.blu]
4	AP8158188	RH seat front side panel, silver	1	Year:2001[1], 2002[2] Vehicle colour:Stream silver 2001-2002[s.sil]
4	AP8158213	RH seat front side panel, red	1	Year:2001[1], 2002[2] Vehicle colour:Flame Red 2001-2002[f.red]
4	AP8158219	RH seat front side panel, blue	1	Year:2001[1], 2002[2] Vehicle colour:Infinity Blue 2001-2002[l.blu]
4	AP8158861	RH seat front side panel	1	Year:2002[2] Vehicle colour:Ash greu 2002[ash.g]
4	AP8168861	RH seat front side panel	1	Year:2003[3]

Group	FRAME
Code	28.18
Description	Saddle
Service	1



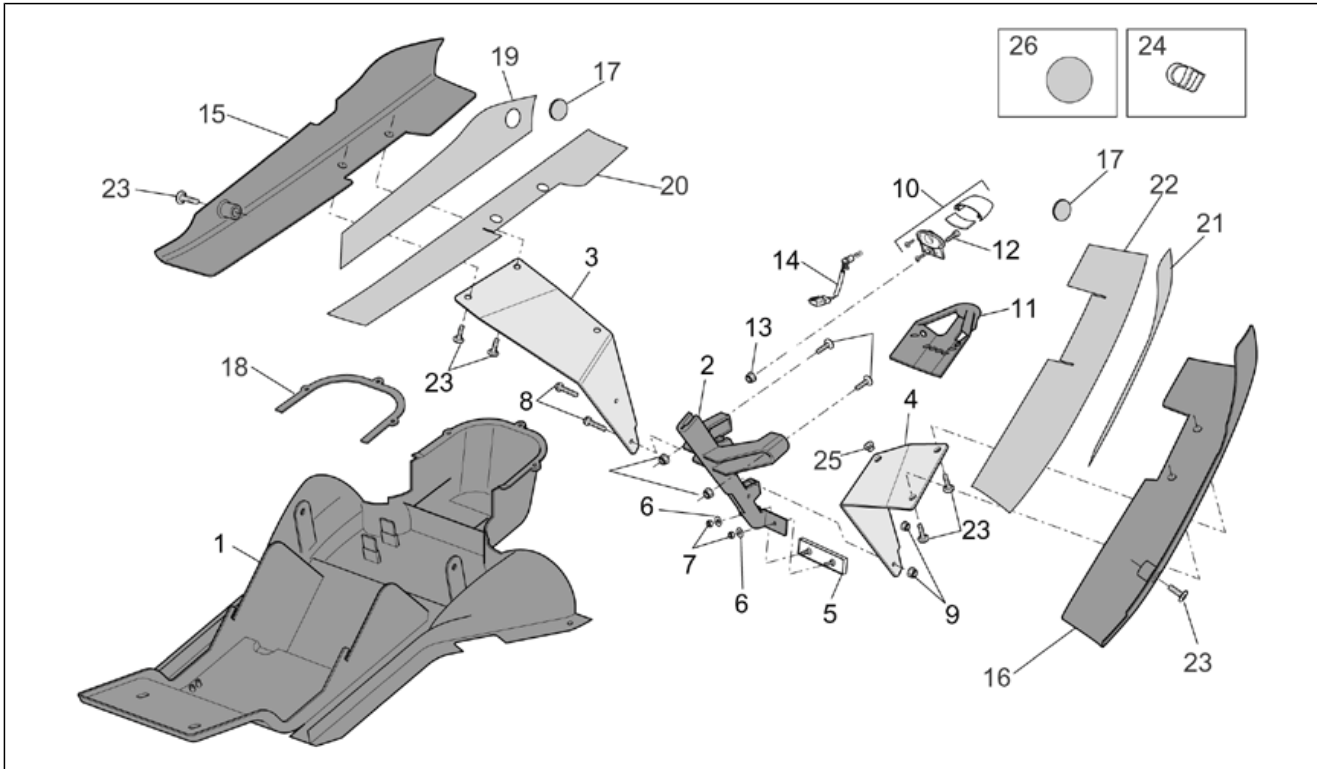
Pos.	Code	Description	Qty	Variants
				Vehicle colour: Darkness Black 2003[d.black], Hilton Blue 2003[h.blu]
5	AP8158189	LH seat front side panel, silver	1	Year: 2001[1], 2002[2] Vehicle colour: Stream silver 2001-2002[s.sil]
5	AP8158214	LH seat front side panel, red	1	Year: 2001[1], 2002[2] Vehicle colour: Flame Red 2001-2002[f.red]
5	AP8158220	LH seat front side panel, blue	1	Year: 2001[1], 2002[2] Vehicle colour: Infinity Blue 2001-2002[l.blu]
5	AP8158862	LH seat front side panel	1	Year: 2002[2] Vehicle colour: Ash greu 2002[ash.g]
5	AP8168862	LH seat front side panel	1	Year: 2003[3] Vehicle colour: Darkness Black 2003[d.black], Hilton Blue 2003[h.blu]
6	AP8158190	RH seat rear side panel, silver	1	Year: 2001[1], 2002[2] Vehicle colour: Stream silver 2001-2002[s.sil]
6	AP8158215	RH seat rear side panel, red	1	Year: 2001[1], 2002[2] Vehicle colour: Flame Red 2001-2002[f.red]
6	AP8158221	RH seat rear side panel, blue	1	Year: 2001[1], 2002[2] Vehicle colour: Infinity Blue 2001-2002[l.blu]
6	AP8158868	RH seat rear side panel	1	Year: 2002[2] Vehicle colour: Ash greu 2002[ash.g]
6	AP8168863	RH seat rear side panel	1	Year: 2003[3] Vehicle colour: Darkness Black 2003[d.black]
6	AP8168870	RH seat rear side panel	1	Year: 2003[3] Vehicle colour: Hilton Blue 2003[h.blu]
7	AP8158191	LH seat rear side panel, silver	1	Year: 2001[1], 2002[2] Vehicle colour: Stream silver 2001-2002[s.sil]
7	AP8158216	LH seat rear side panel, red	1	Year: 2001[1], 2002[2] Vehicle colour: Flame Red 2001-2002[f.red]
7	AP8158222	LH seat rear side panel, blue	1	Year: 2001[1], 2002[2] Vehicle colour: Infinity Blue 2001-2002[l.blu]
7	AP8158869	LH seat rear side panel	1	Year: 2002[2] Vehicle colour: Ash greu 2002[ash.g]

Group	FRAME
Code	28.18
Description	Saddle
Service	1



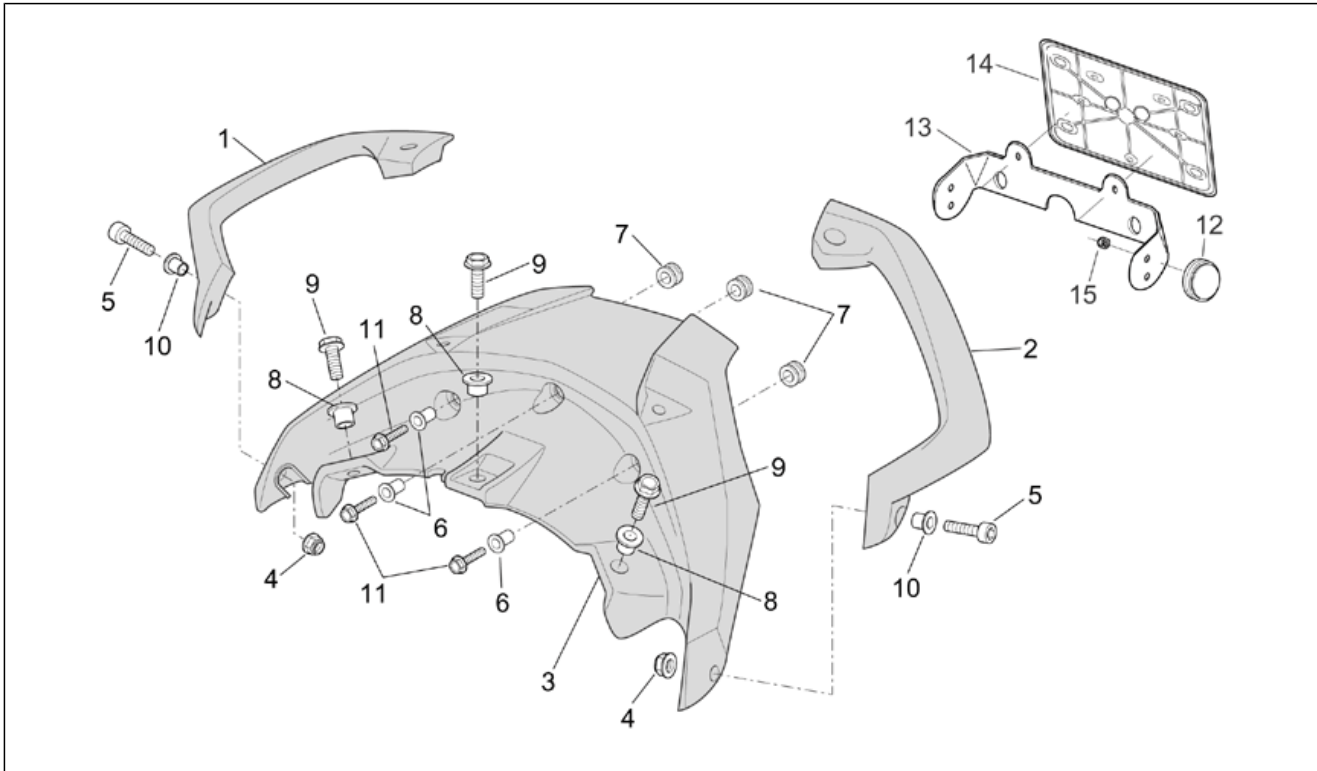
Pos.	Code	Description	Qty	Variants
7	AP8168864	LH seat rear side panel	1	Year:2003[3] Vehicle colour:Darkness Black 2003[d.black]
7	AP8168871	LH seat rear side panel	1	Year:2003[3] Vehicle colour:Hilton Blue 2003[h.blu]
8	AP8149304	Saddle supp.lower lockup	1	
9	AP8134396	Fuel tank support rod	1	
10	AP8121716	T bush	2	
11	AP8152056	Hex socket screw M8x30	4	
12	AP8221128	T bush 8,5x10,7x12	2	
13	AP8152181	Washer 6,4x15x1	4	
14	AP8152137	Hex socket screw M6x20	4	
15	AP8117004	Adhesive sponge 15x8	1	
16	AP8144569	Saddle rubber	3	
17	AP8144568	Saddle rubber	2	
18	AP8144567	Saddle rubber	2	
19	AP8144566	Saddle rubber	2	

Group	FRAME
Code	28.19
Description	Undersaddle
Service	1



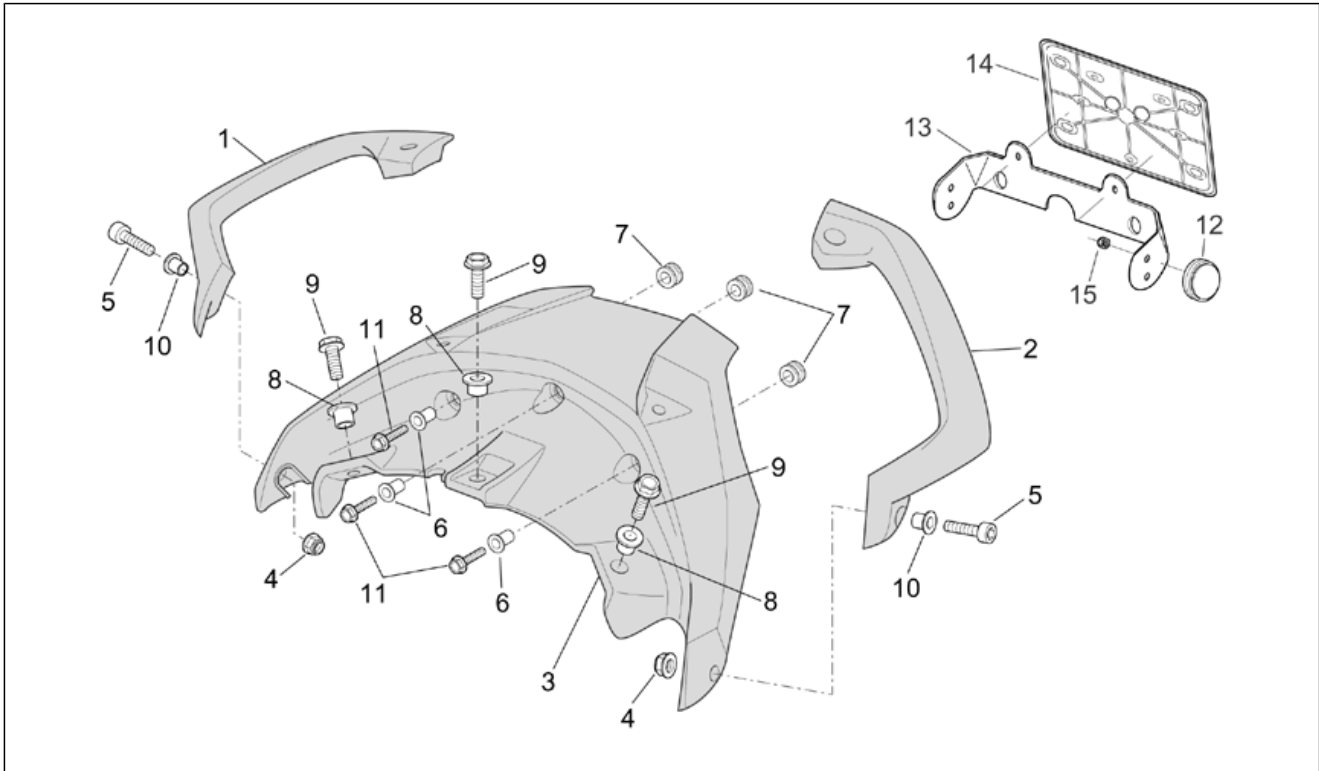
Pos.	Code	Description	Qty	Variants
1	AP8148045	Saddle supp.lower lockup	1	
2	AP8126780	Number plate holder, black	1	
3	AP8126876	RH number plate holder support	1	
4	AP8126757	LH number plate holder support	1	
5	AP8112916	Rear reflector	1	
6	AP8150011	Washer 4,3x12x1	2	
7	AP8150204	Nut M4	2	
8	AP8152275	Screw w/ flange M5x25	2	
9	AP8152306	Self-locking nut m5	2	
10	AP8124899	Number-plate light, grey	1	
11	AP8134573	Plate light support	1	
12	AP8150050	Hex socket screw M5x16	1	
13	AP8150114	Low self-locking nut	1	
14	AP8127063	Plate light wiring	1	
15	AP8117178	RH heat protection	1	
16	AP8117163	LH heat protection	1	
17	AP8121506	Heat protection spacer	2	
18	AP8144437	Gasket	1	
19	AP8117180	RH sup.heat protection	1	
20	AP8117183	RH inf.heat protection	1	
21	AP8117181	LH sup.heat protection	1	
22	AP8117184	LH inf.heat protection	1	
23	AP8152298	Screw w/ flange M5x16	2	
24	AP8201727	Black cable guide	1	
25	AP8120531	Rubber w/ insert	2	
26	AP8167656	Guard decal	6	

Group	FRAME
Code	28.20
Description	Rear body
Service	1



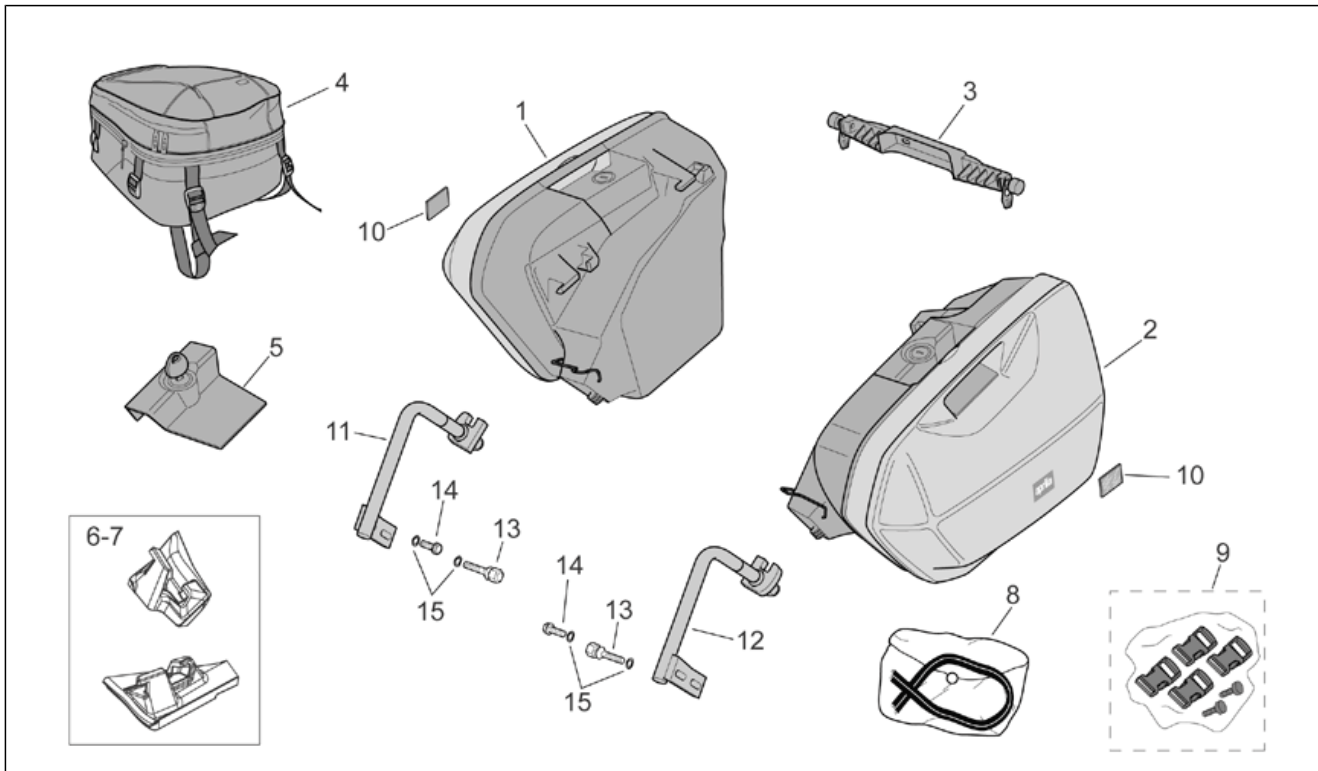
Pos.	Code	Description	Qty	Variants
1	AP8149974	RH pillion grab bar, grey	1	Year: 2001[1], 2002[2] Vehicle colour: Ash greu 2002[ash.g], Flame Red 2001-2002[f.red], Infinity Blue 2001-2002[l.blu], Stream silver 2001-2002[s.sil]
1	AP8168857	Pillion grab bar dx v.nero	1	Year: 2003[3] Vehicle colour: Darkness Black 2003[d.black], Hilton Blue 2003[h.blu]
2	AP8149975	LH pillion grab bar, grey	1	Year: 2001[1], 2002[2] Vehicle colour: Ash greu 2002[ash.g], Flame Red 2001-2002[f.red], Infinity Blue 2001-2002[l.blu], Stream silver 2001-2002[s.sil]
2	AP8168858	Pillion grab bar sx v.nero	1	Year: 2003[3] Vehicle colour: Darkness Black 2003[d.black], Hilton Blue 2003[h.blu]
3	AP8148275	Rear handle, grey	1	Year: 2001[1], 2002[2] Vehicle colour: Flame Red 2001-2002[f.red], Infinity Blue 2001-2002[l.blu], Stream silver 2001-2002[s.sil]
3	AP8149761	Rear handle, grey	1	Year: 2002[2] Vehicle colour: Ash greu 2002[ash.g]
3	AP8168856	Rear handle, black	1	Year: 2003[3] Vehicle colour: Darkness Black 2003[d.black], Hilton Blue 2003[h.blu]
4	AP8152300	Self-locking nut M8	4	
5	AP8150170	Hex socket screw M8x25	4	
6	AP8121725	T bush *	3	
7	AP8220370	Filter housing rubber	3	
8	AP8125855	T bush	3	
9	AP8152286	Screw w/ flange M8x20	3	
10	AP8125882	T bush	2	
11	AP8152280	Screw w/ flange M6x25	3	
12	AP8224164	Rear reflector, red	2	Country: USA (49 Countries Approval)[AM], USA (California Approval)[CF], United States of America[USA]

Group	FRAME
Code	28.20
Description	Rear body
Service	1



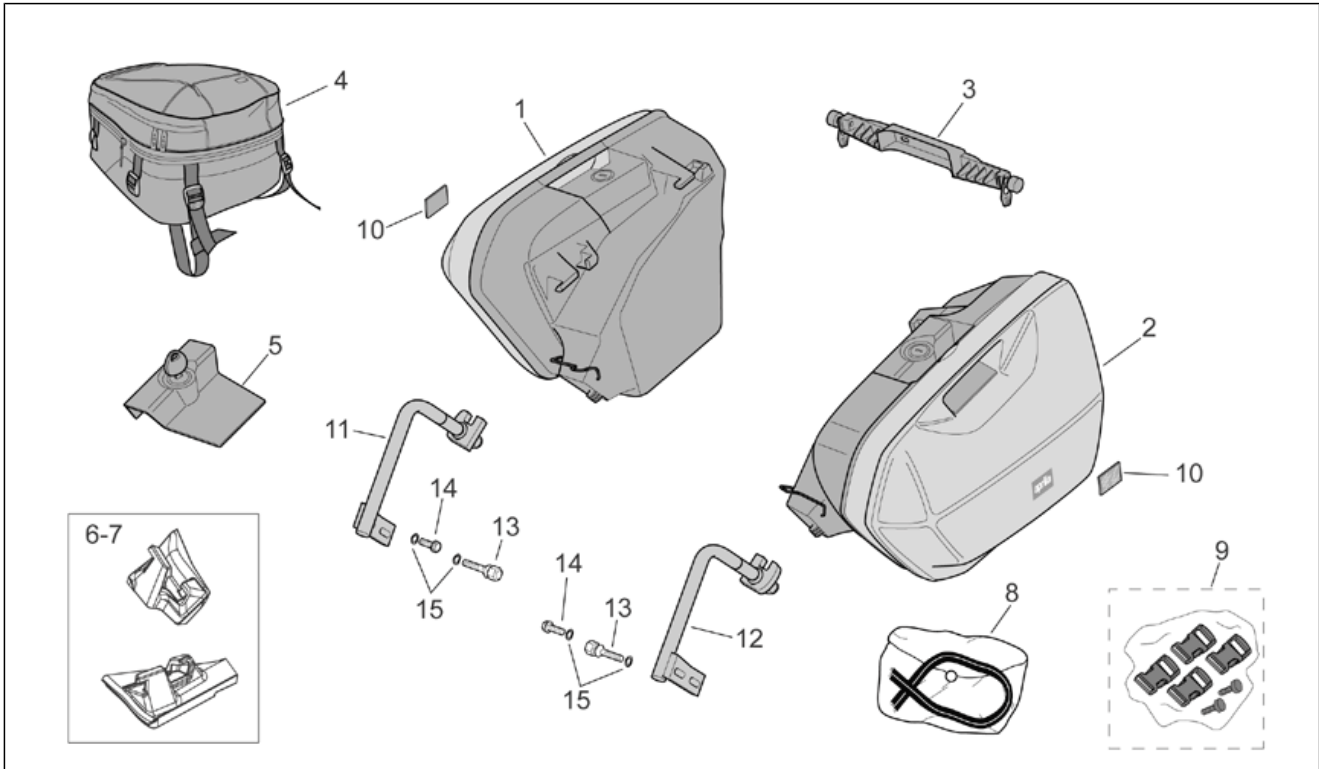
Pos.	Code	Description	Qty	Variants
13	AP8258253	Rear reflector support	1	Country: USA (49 Countries Approval)[AM], USA (California Approval)[CF], United States of America[USA]
14	AP8149034	Number plate support	1	Country: USA (49 Countries Approval)[AM], USA (California Approval)[CF], United States of America[USA]
15	AP8152306	Self-locking nut m5	4	Country: USA (49 Countries Approval)[AM], USA (California Approval)[CF], United States of America[USA]

Group	FRAME
Code	28.21
Description	Side cases
Service	1



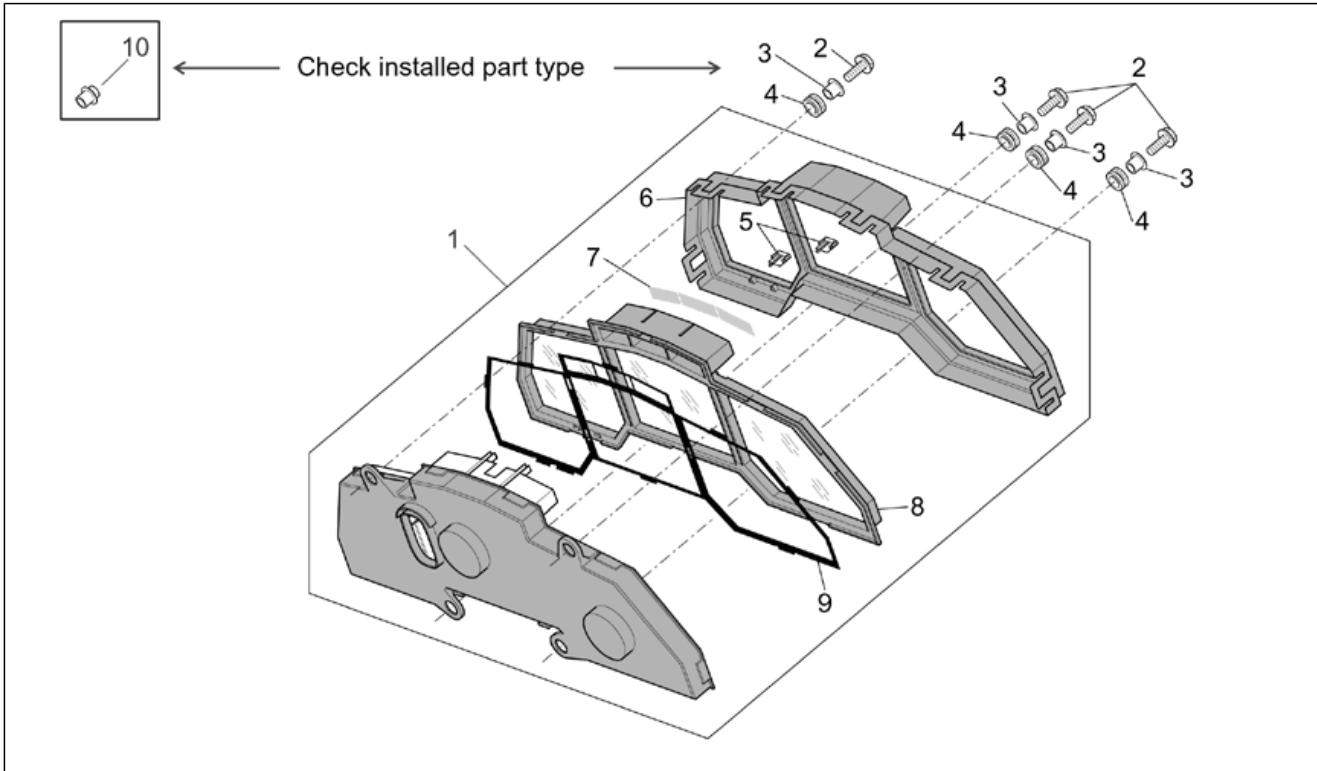
Pos.	Code	Description	Qty	Variants
1	AP8790258	RH case, s.grey	1	Year:2003[3] Vehicle colour:Darkness Black 2003[d.black], Hilton Blue 2003[h.blu]
1	AP8792178	RH case, s.silver	1	Year:2002[2] Vehicle colour:Stream silver 2001-2002[s.sil]
1	AP8792180	RH case, f.red	1	Year:2002[2] Vehicle colour:Flame Red 2001-2002[f.red]
1	AP8792182	RH case, i.blue	1	Year:2002[2] Vehicle colour:Infinity Blue 2001-2002[i.blu]
1	AP8792233	RH case, a.grey	1	Year:2002[2] Vehicle colour:Ash greu 2002[ash.g]
2	AP8790259	LH case, s.grey	1	Year:2003[3] Vehicle colour:Darkness Black 2003[d.black], Hilton Blue 2003[h.blu]
2	AP8792179	LH case, s.grey	1	Year:2002[2] Vehicle colour:Stream silver 2001-2002[s.sil]
2	AP8792181	LH case, f.red	1	Year:2002[2] Vehicle colour:Flame Red 2001-2002[f.red]
2	AP8792183	LH case, i.blue	1	Year:2002[2] Vehicle colour:Infinity Blue 2001-2002[i.blu]
2	AP8792234	LH case, a.grey	1	Year:2002[2] Vehicle colour:Ash greu 2002[ash.g]
3	AP8706348	Support clamp	1	Year:2003[3] Vehicle colour:Darkness Black 2003[d.black], Hilton Blue 2003[h.blu]
3	AP8792187	Rest, metallic grey	1	Year:2002[2]
4	AP8792156	Tank pack	1	Year:2002[2], 2003[3] Country:Italy[I], Italy[II]
5	AP8792184	Lockup levers assy.pair, grey	1	Year:2002[2], 2003[3]
6	AP8792185	RH top support kit, met.Grey	1	Year:2002[2], 2003[3]
7	AP8792186	LH top support kit, met.Grey	1	Year:2002[2], 2003[3]
8	AP8792230	Gaskets set	1	Year:2002[2], 2003[3]

Group	FRAME
Code	28.21
Description	Side cases
Service	1



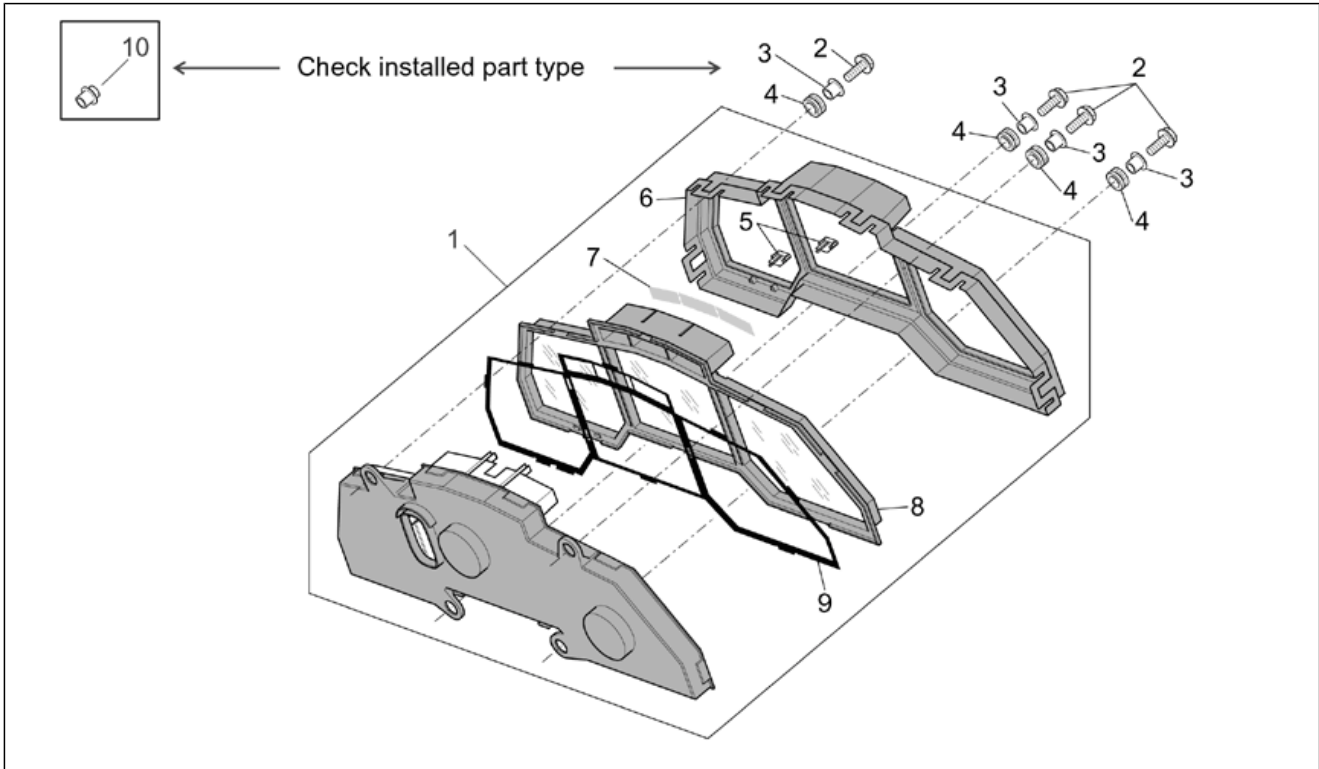
Pos.	Code	Description	Qty	Variants
9	AP8792188	elastic/rubber kit	1	Year:2002[2], 2003[3]
10	AP8706314	Reflector	2	Year:2002[2], 2003[3]
11	AP8706337	RH Front suitcase connect.	1	Year:2002[2], 2003[3]
12	AP8706338	LH Front suitcase connect.	1	Year:2002[2], 2003[3]
13	AP8706349	Shear rivet	2	Year:2002[2], 2003[3]
14	AP8152273	Screw w/ flange M5X15	2	Year:2002[2], 2003[3]
15	AP8150272	Curved spring washer 5,3x10x0,5	4	Year:2002[2], 2003[3]

Group	FRAME
Code	28.22
Description	Dashboard
Service	1



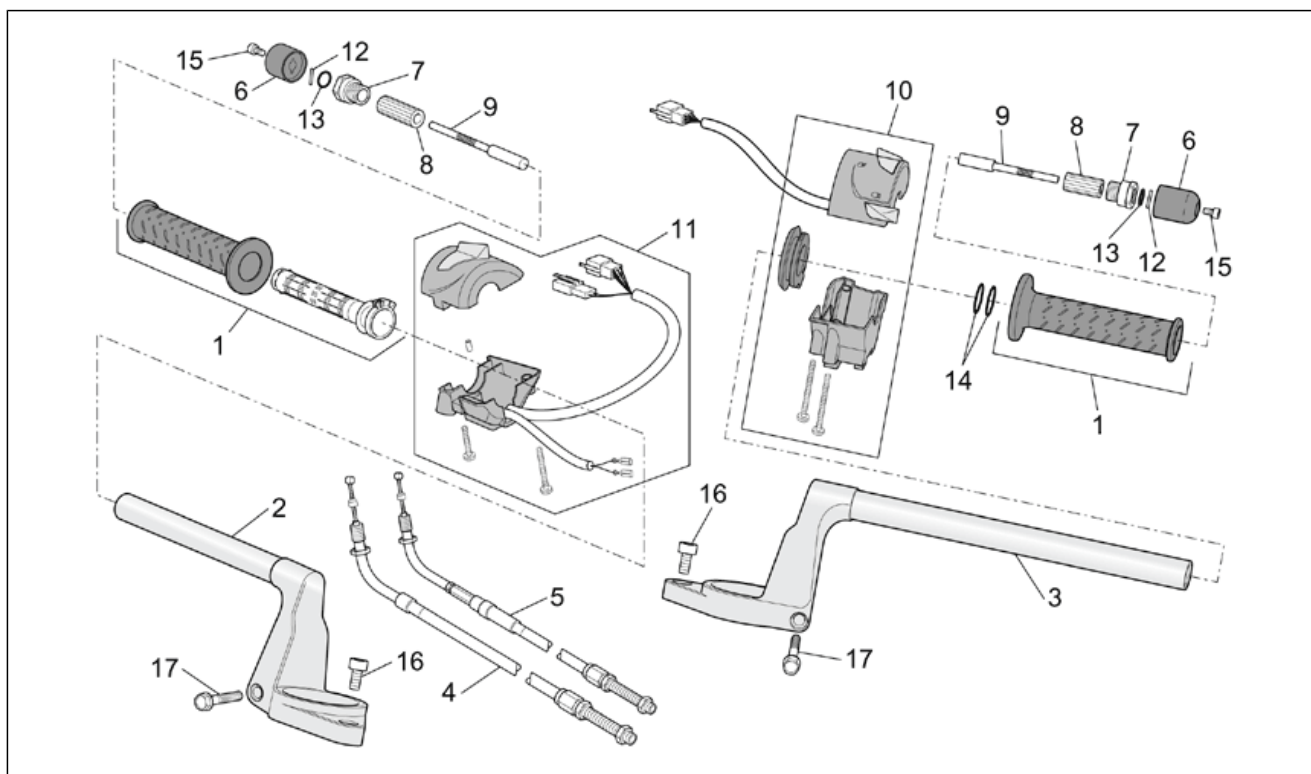
Pos.	Code	Description	Qty	Variants
1	AP8124696	Dashboard complete	1	Year: 2001[1], 2002[2] Vehicle colour: Flame Red 2001-2002[f.red], Infinity Blue 2001-2002[l.blu], Stream silver 2001-2002[s.sil] Country: Austria[A], Australia[AA], Australia[AUS], Belgium[B], Belgium[BB], Switzerland[CH], Germany[D], Denmark[DK], Spain[E], A, B, CH, D, DK, E, F, I, NL, P[EU], France[F], France[FF], Italy[I], Japan[J], Japan[JJ], Holland[NL], Portugal[P]
1	AP8127075	Dashboard complete	1	Year: 2001[1], 2002[2] Vehicle colour: Flame Red 2001-2002[f.red], Infinity Blue 2001-2002[l.blu], Stream silver 2001-2002[s.sil] Country: USA (49 Countries Approval)[AM], USA (California Approval)[CF], United States of America[USA]
1	AP8127279	Dashboard complete	1	Year: 2001[1], 2002[2] Vehicle colour: Flame Red 2001-2002[f.red], Infinity Blue 2001-2002[l.blu], Stream silver 2001-2002[s.sil] Country: Great Britain[UK]
1	AP8127326	Dashboard complete	1	Year: 2002[2], 2003[3] Vehicle colour: Ash greu 2002[ash.g], Darkness Black 2003[d.black], Hilton Blue 2003[h.blu] Country: Austria[A], Australia[AA], Australia[AUS], Belgium[B], Belgium[BB], Switzerland[CH], Germany[D], Denmark[DK], Spain[E], A, B, CH, D, DK, E, F, I, NL, P[EU], France[F], France[FF], Italy[I], Japan[J], Japan[JJ], Holland[NL], Portugal[P]
1	AP8127327	Dashboard complete	1	Year: 2002[2], 2003[3] Vehicle colour: Ash greu 2002[ash.g], Darkness Black 2003[d.black], Hilton Blue 2003[h.blu] Country: Great Britain[UK]
1	AP8127328	Dashboard complete	1	Year: 2002[2] Vehicle colour: Ash greu 2002[ash.g] Country: USA (49 Countries Approval)[AM], USA (California Approval)[CF], United States of America[USA]
2	AP8152280	Screw w/ flange M6x25	4	
3	AP8121790	T bush *	4	

Group	FRAME
Code	28.22
Description	Dashboard
Service	1



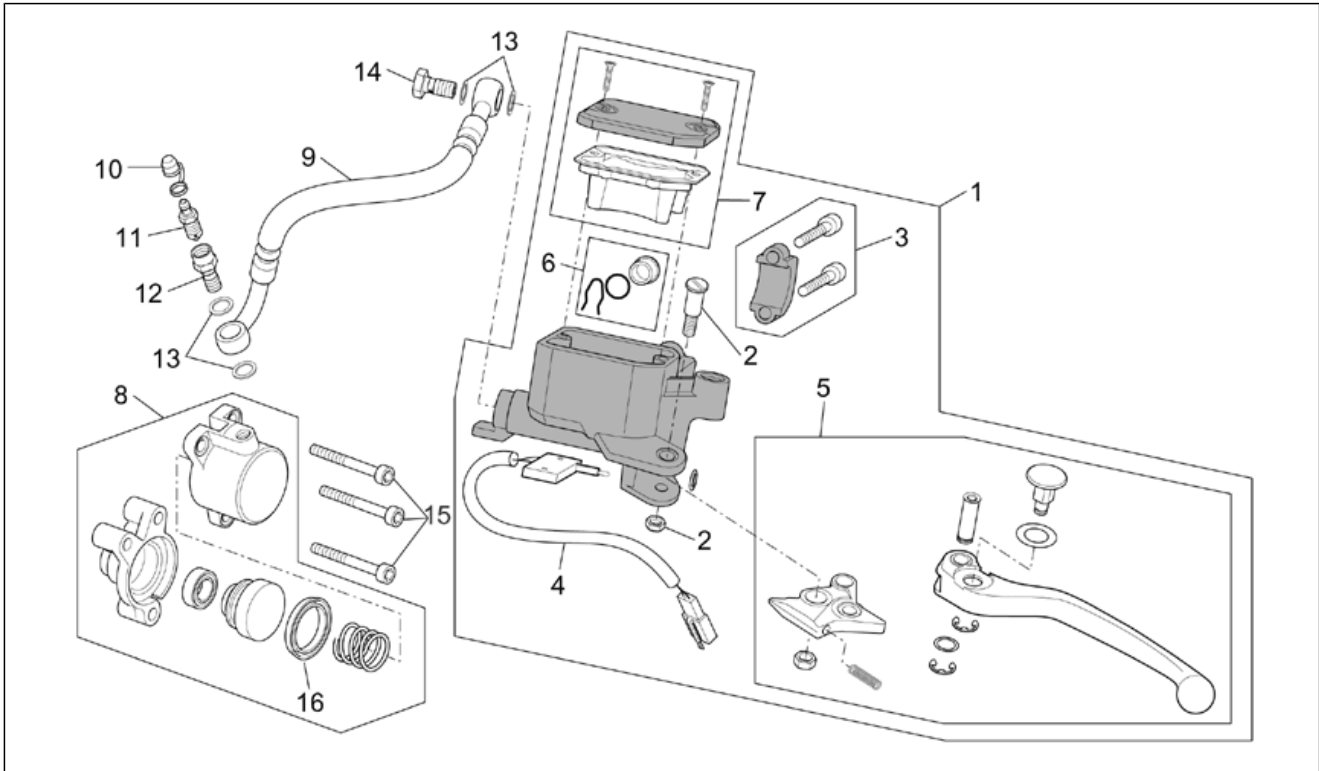
Pos.	Code	Description	Qty	Variants
4	AP8112599	Rubber spacer *	4	
5	AP8127155	Dashboard button	2	
6	AP8127156	Guard	1	
7	AP8127157	Guard	1	
8	AP8127158	Transparent protection	1	
9	AP8127159	Gasket	1	
10	AP8121574	Fixing pin	1	

Group	FRAME
Code	28.23
Description	Handlebar - Controls
Service	1



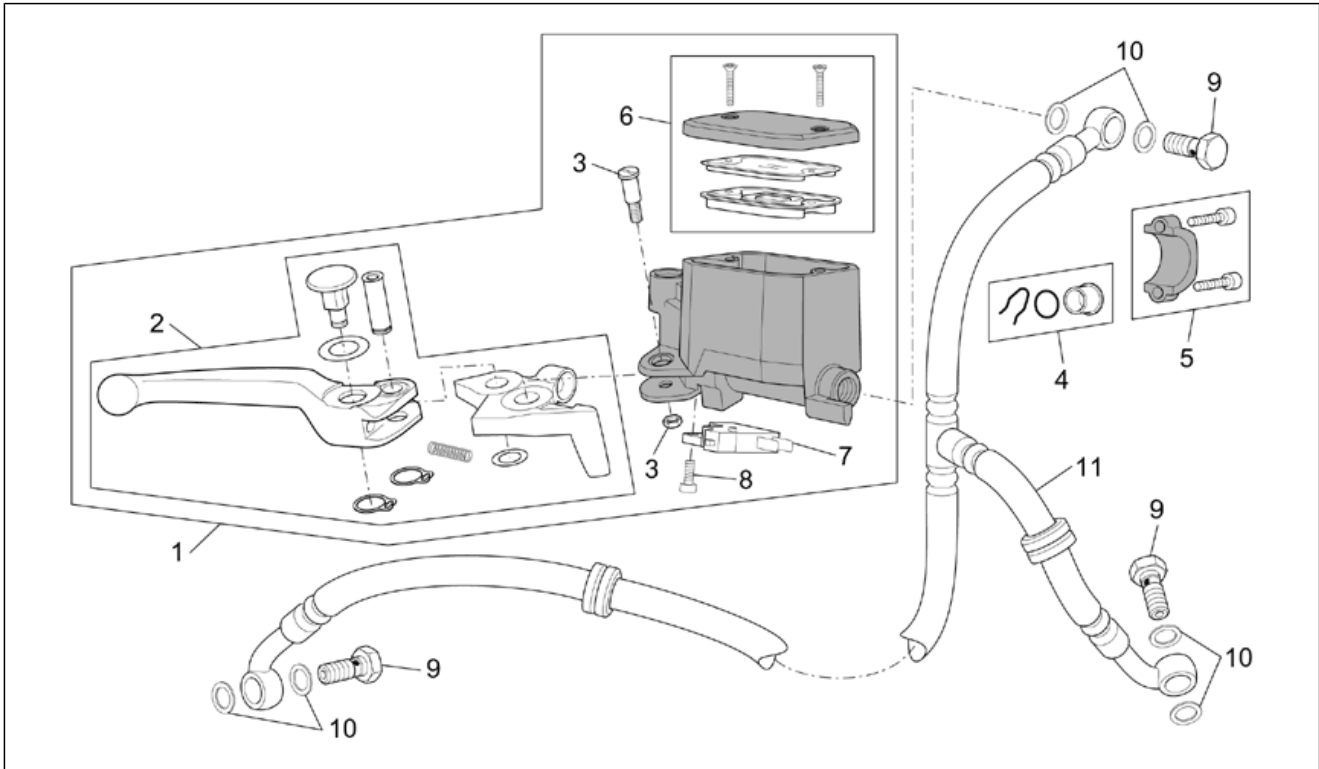
Pos.	Code	Description	Qty	Variants
1	AP8118619	Handgrip pair, black	1	
2	AP8118526	Right half handlebar	1	
3	AP8118527	Left half handlebar	1	
4	AP8114393	Gas trasmission return	1	
5	AP8114392	Gas trasmission delivery	1	
6	AP8102787	Anti.v weight, black	2	
7	AP8121261	Anti vib.weight trailing	2	
8	AP8144083	Rubber spacer	2	
9	AP8121262	Anti v. weight shaft	2	
10	AP8124918	LH lights selector	1	
11	AP8124916	RH lights selector	1	Year: 2001[1], 2002[2] Country: Austria[A], Australia[AA], Australia[AUS], Belgium[B], Belgium[BB], Switzerland[CH], Germany[D], Denmark[DK], Spain[E], A, B, CH, D, DK, E, F, I, NL, P[EU], France[F], France[FF], Italy[I], Holland[NL], Portugal[P]
11	AP8124917	RH lights selector	1	Year: 2003[3]
11	AP8124917	RH lights selector	1	Year: 2001[1], 2002[2] Country: USA (49 Countries Approval)[AM], USA (California Approval)[CF], Japan[J], Japan[JJ], United States of America[USA]
12	AP8110074	Roller D4x19,8	2	
13	AP8120178	O-ring OR112	2	
14	AP8120190	O-ring 3075	2	
15	AP8152040	Hex socket screw	2	
16	AP8150137	Hex socket screw	2	
17	AP8152290	Screw w/ flange M8x40	2	

Group	FRAME
Code	28.24
Description	Clutch pump
Service	1



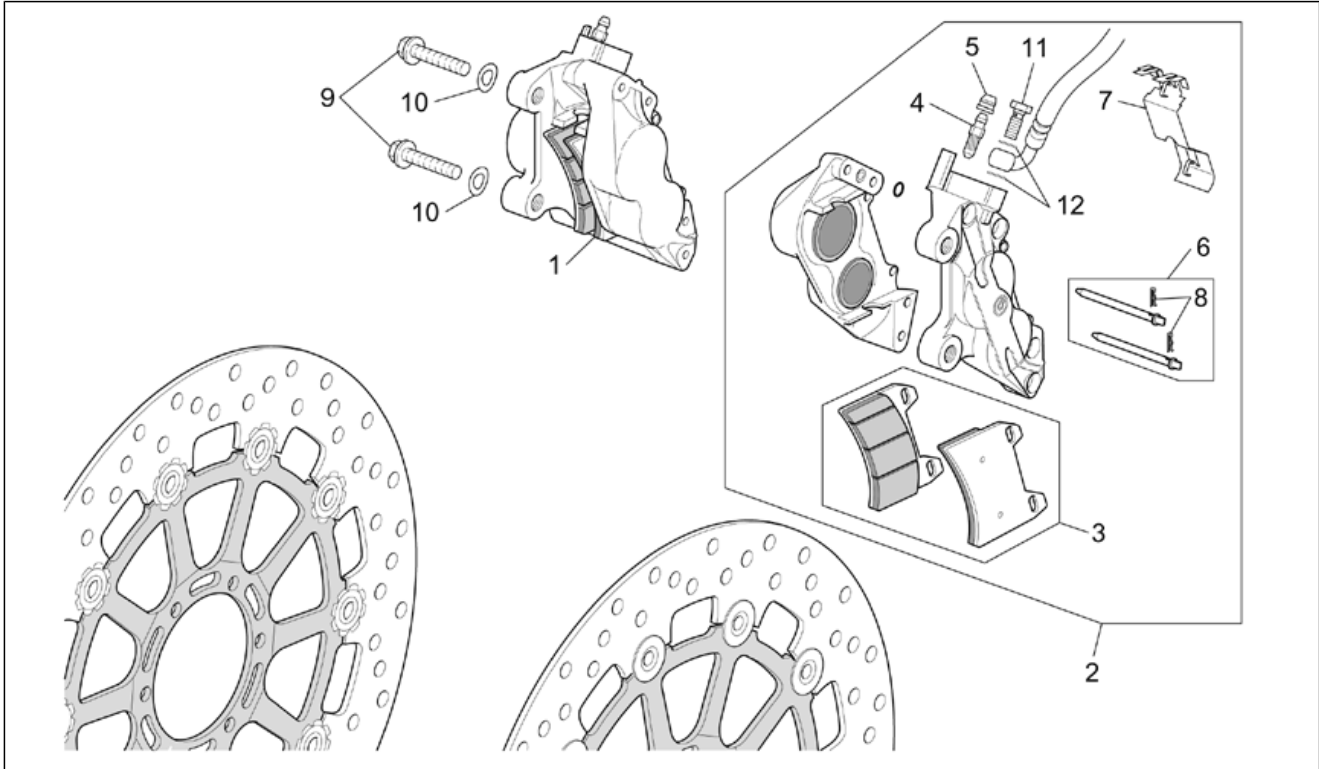
Pos.	Code	Description	Qty	Variants
1	AP8106713	Clutch pump	1	
2	AP8113719	Lever pin	1	
3	AP8113996	U-bolt	1	
4	AP8127224	Microswitch	1	
5	AP8118659	Clutch lever	1	
6	AP8213243	Master cyl.level window	1	
7	AP8113997	Tank cap	1	
8	AP8106381	Clutch command cylinder	1	
9	AP8133504	Clutch pipe	1	
10	AP8113230	Bleed valve cap	1	
11	AP8113761	Air bleed valve	1	
12	AP8113762	Bored screw	1	
13	AP8121915	Gasket	4	
14	AP8113003	Oil pipe screw *	1	
15	AP0241821	Hex socket screw M6x45	3	
16	AP8106935	Gasket	1	

Group	FRAME
Code	28.25
Description	Front master cilinder
Service	1



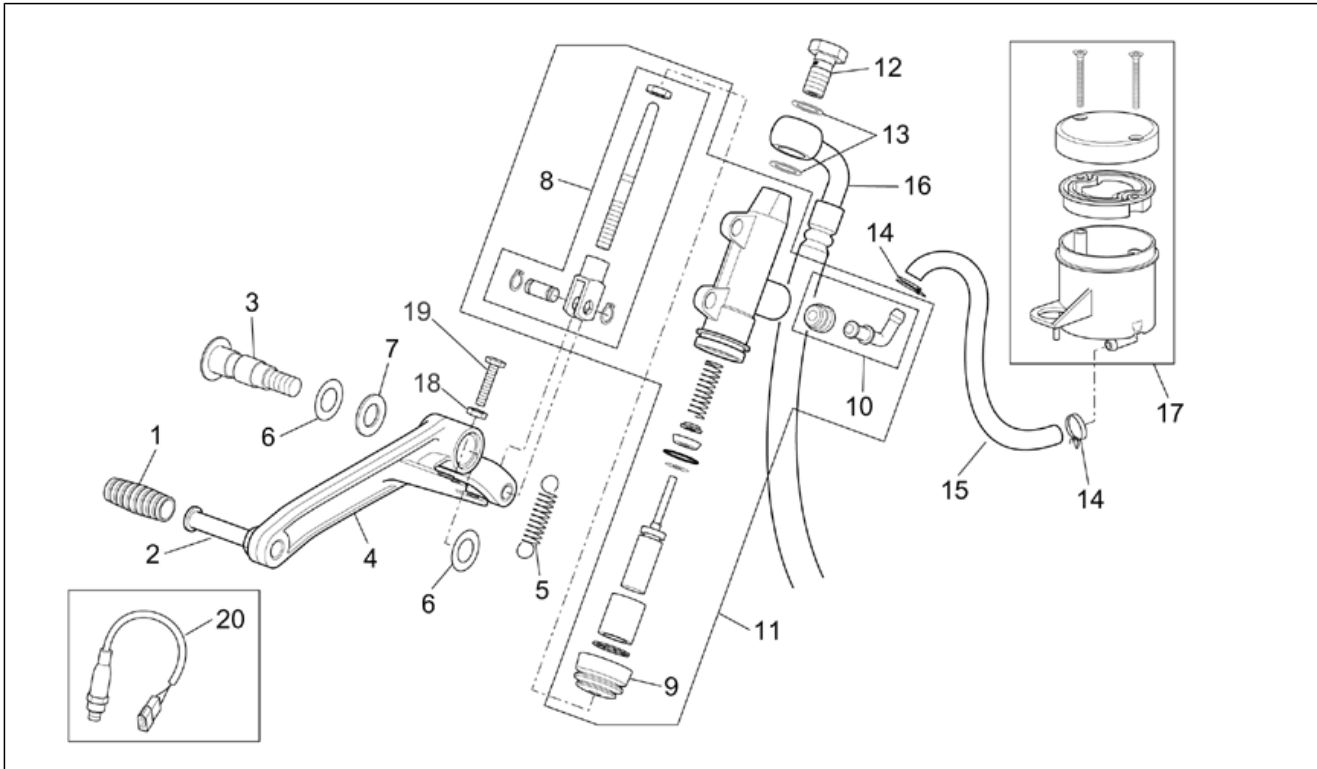
Pos.	Code	Description	Qty	Variants
1	AP8113803	Front master cilinder	1	
2	AP8133510	Front brake lever	1	
3	AP8113995	Lever pin	1	
4	AP8113063	Master cyl.level window	1	
5	AP8113993	U-bolt	1	
6	AP8113994	Tank cap	1	
7	AP8224192	Brake light switch w/ rubber	1	
8	AP8152043	Hex socket screw M4x10	1	
9	AP8113003	Oil pipe screw *	3	
10	AP8121915	Gasket	6	
11	AP8133505	Front brake hose	1	

Group	FRAME
Code	28.26
Description	Front brake caliper
Service	1



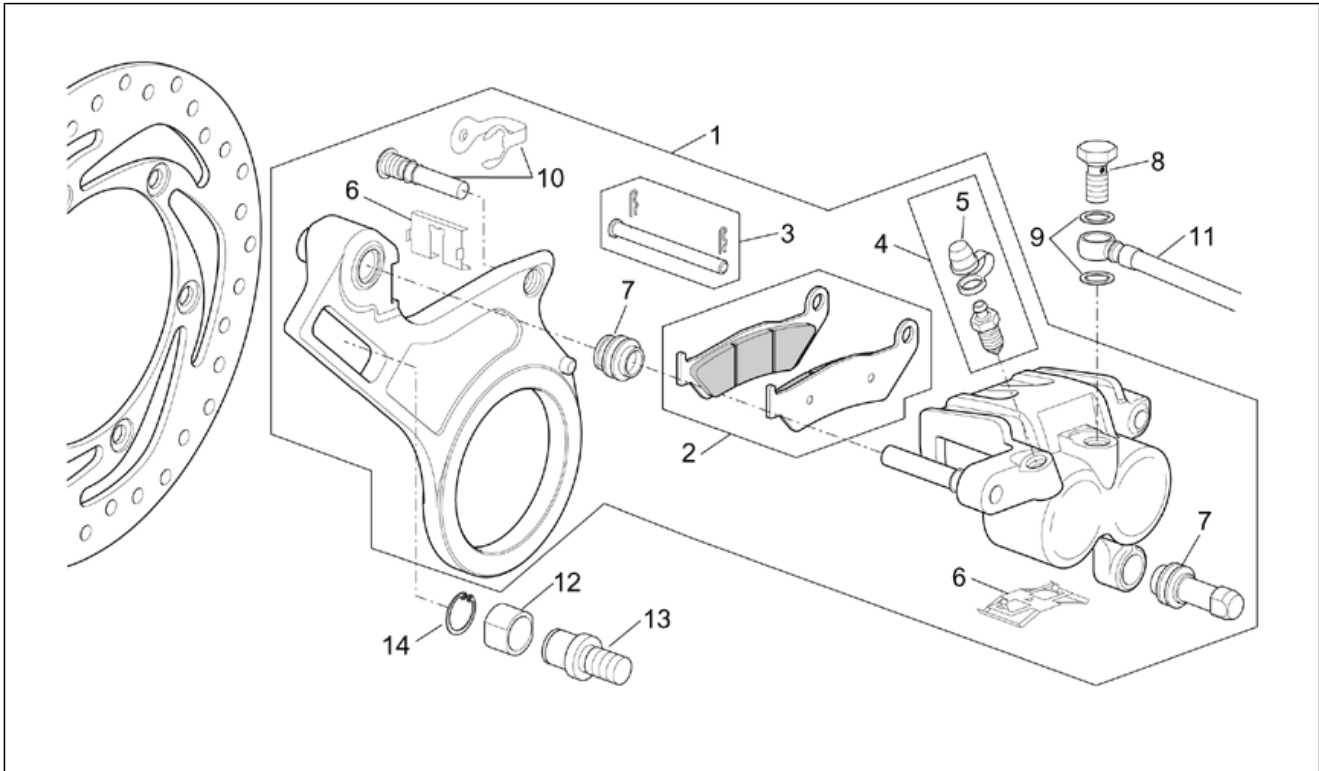
Pos.	Code	Description	Qty	Variants
1	AP8133511	RH front brake caliper	1	
2	AP8133512	LH front brake caliper	1	
3	AP8113754	Pads pair	2	
4	AP8213193	Air bleed valve	2	
5	AP8113070	Bleed valve cap	2	
6	AP8113721	Pin+split pin	2	
7	AP8113722	Spring	2	
8	AP8113723	Split pin	4	
9	AP8152336	Screw w/ flange M10x1,25	4	
10	AP8150292	Curved spring washer *	4	
11	AP8113003	Oil pipe screw *	2	
12	AP8121915	Gasket	4	

Group	FRAME
Code	28.27
Description	Rear master cylinder
Service	1



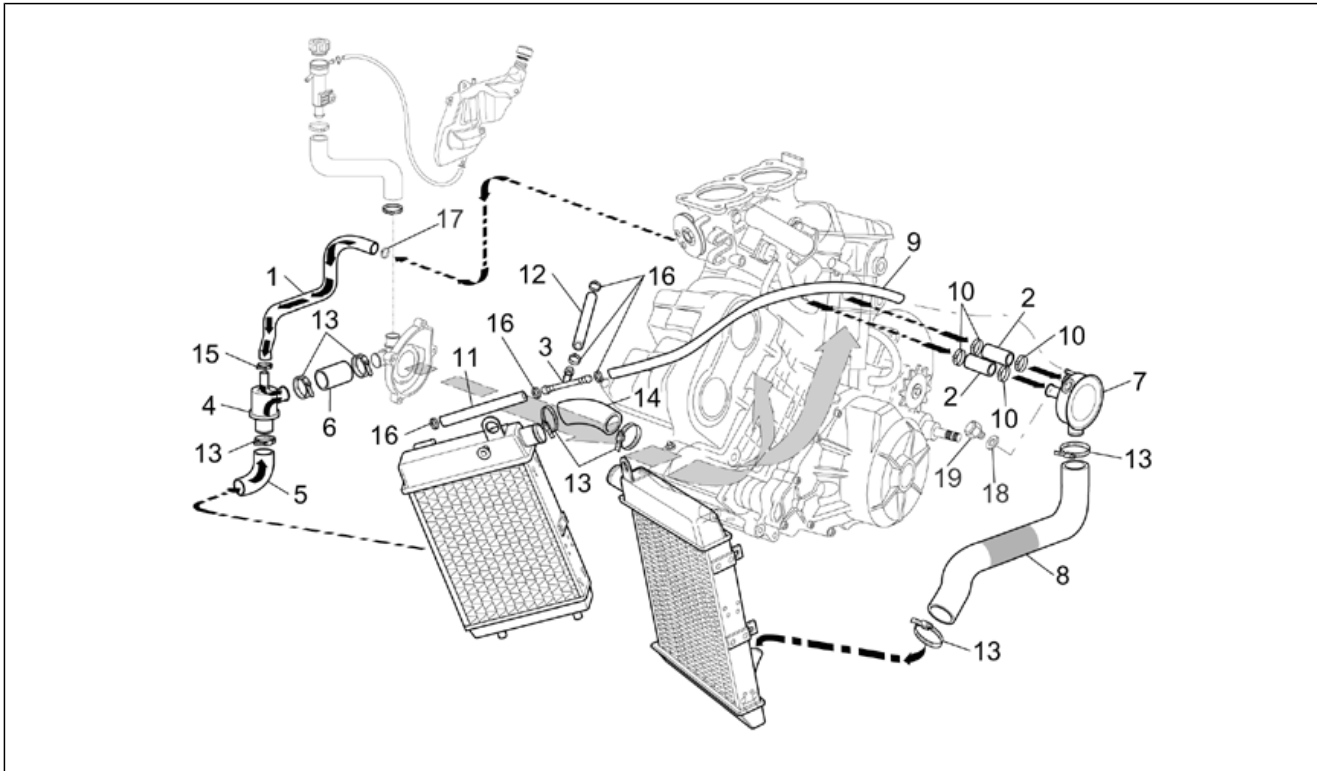
Pos.	Code	Description	Qty	Variants
1	AP8120912	Lever rubber	1	
2	AP8121434	Brake lever pin	1	
3	AP8121223	Rear brake lever pin	1	
4	AP8146253	Rear brake lever	1	
5	AP8121548	Rear brake lever spring	1	
6	AP8144007	O-ring 11,11x1,78	2	
7	AP8150020	Washer 10,5x21x2*	1	
8	AP8133513	Master cylinder rod	1	
9	AP8113288	Rubber bellows	1	
10	AP8213057	Rear brake pump union	1	
11	AP8133514	Rear master cylinder	1	
12	AP8113003	Oil pipe screw *	2	
13	AP8121915	Gasket	4	
14	AP8101595	Hose clamp D10,1	2	
15	AP8133506	pipe	1	
16	AP8133507	Brake hose	1	
17	AP8113499	Brake oil tank	1	
18	AP8150026	Nut M6	1	
19	AP8150073	Hex screw M 6 x 30	1	
20	AP8112996	Microswitch	1	

Group	FRAME
Code	28.28
Description	Rear brake caliper
Service	1



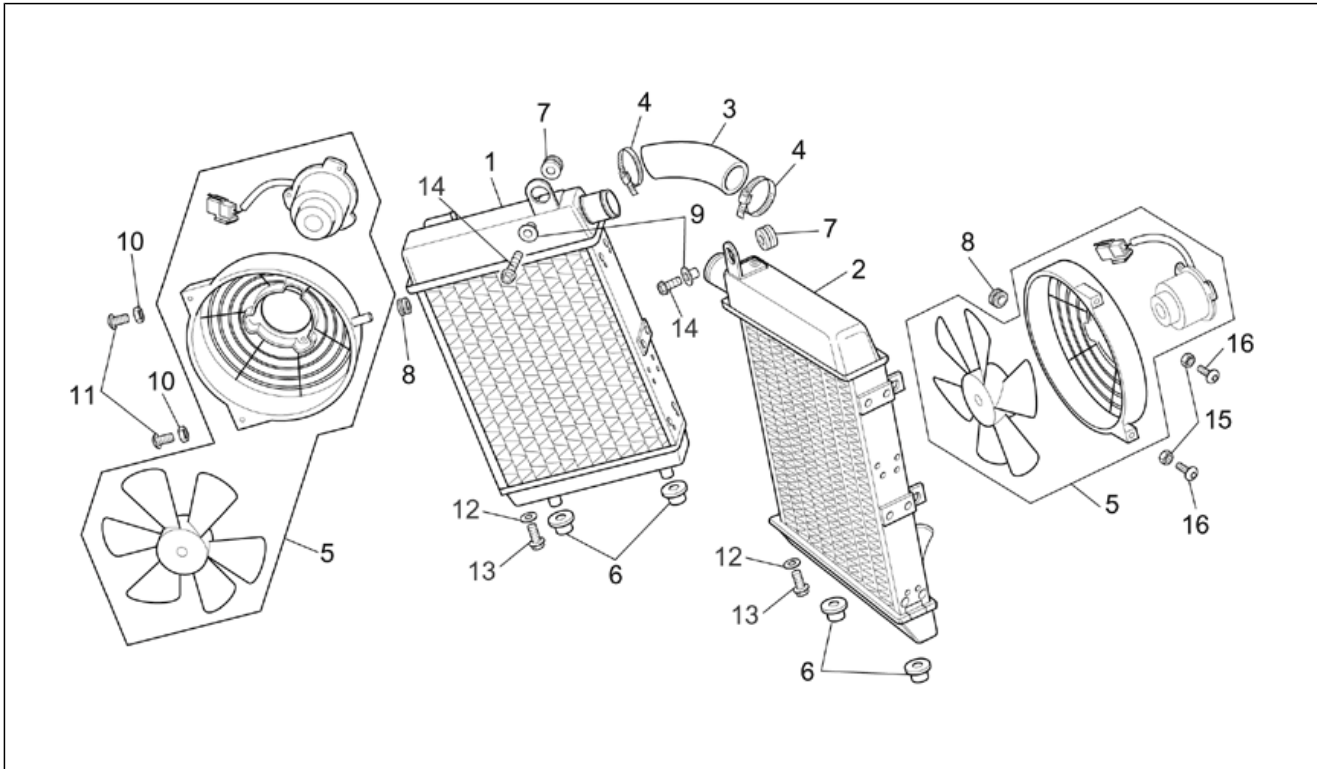
Pos.	Code	Description	Qty	Variants
1	AP8133515	Rear brake caliper	1	
2	AP8133516	Pads pair	1	
3	AP8133517	Pin with cotter	1	
4	AP8133518	Air bleed valve	1	
5	AP8113756	Bleed valve cap 20 pc.	1	
6	AP8133519	Spring	1	
7	AP8113548	Guard	1	
8	AP8113003	Oil pipe screw *	2	
9	AP8121915	Gasket	4	
10	AP8133520	Pin with cotter	1	
11	AP8133508	Brake hose	1	
12	AP8121444	Bushing	1	
13	AP8121433	Pin	1	
14	AP8125853	Circlip D.15	1	

Group	FRAME
Code	28.29
Description	Cooling system
Service	1



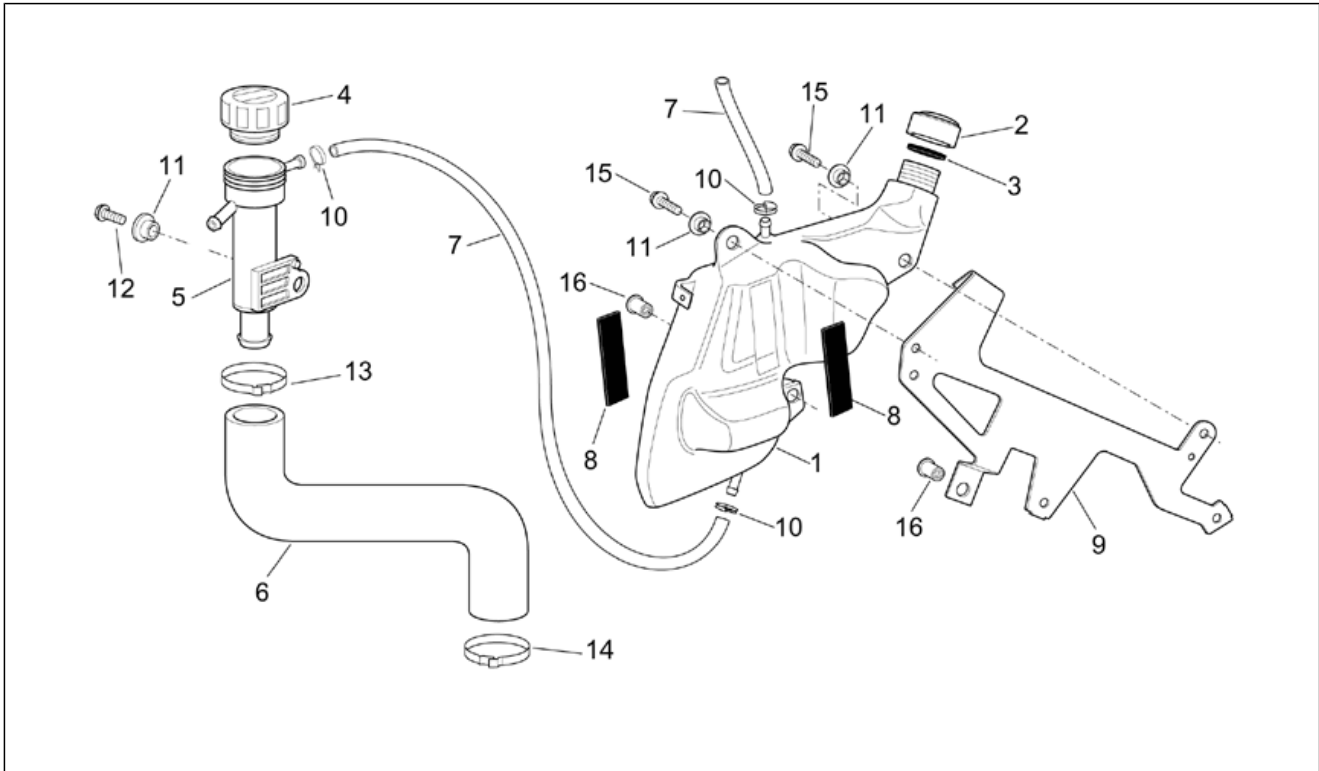
Pos.	Code	Description	Qty	Variants
1	AP8120980	Thermostat-engine pipe	1	
2	AP8120979	Engine-manifold pipe	2	
3	AP8102431	3-way union	1	
4	AP8124929	Thermostat valve set 75°C	1	
5	AP8144034	Thermostat-cooler pipe	1	
6	AP8144033	Thermostat-pump pipe	1	
7	AP8102677	Three-way manifold	1	
8	AP8120978	Water hose manifold/cooler	1	
9	AP8144092	Manifold breather pipe	1	
10	AP8102732	Hose clamp 17-25	4	
11	AP8144093	Manifold-union breather pipe	1	
12	AP8144094	Union-manifold breather pipe	1	
13	AP8104097	Hose clamp	8	
14	AP8120981	Water hose coolers	1	
15	AP8201169	Hose clip D22x8,6*	1	
16	AP8102765	White hose clip D.13,5x6	5	
17	AP8101927	Hose clip D23,5x8*	3	
18	AP8121837	Aluminium washer	1	
19	AP8125856	Cover	1	

Group	FRAME
Code	28.30
Description	Water coolers
Service	1



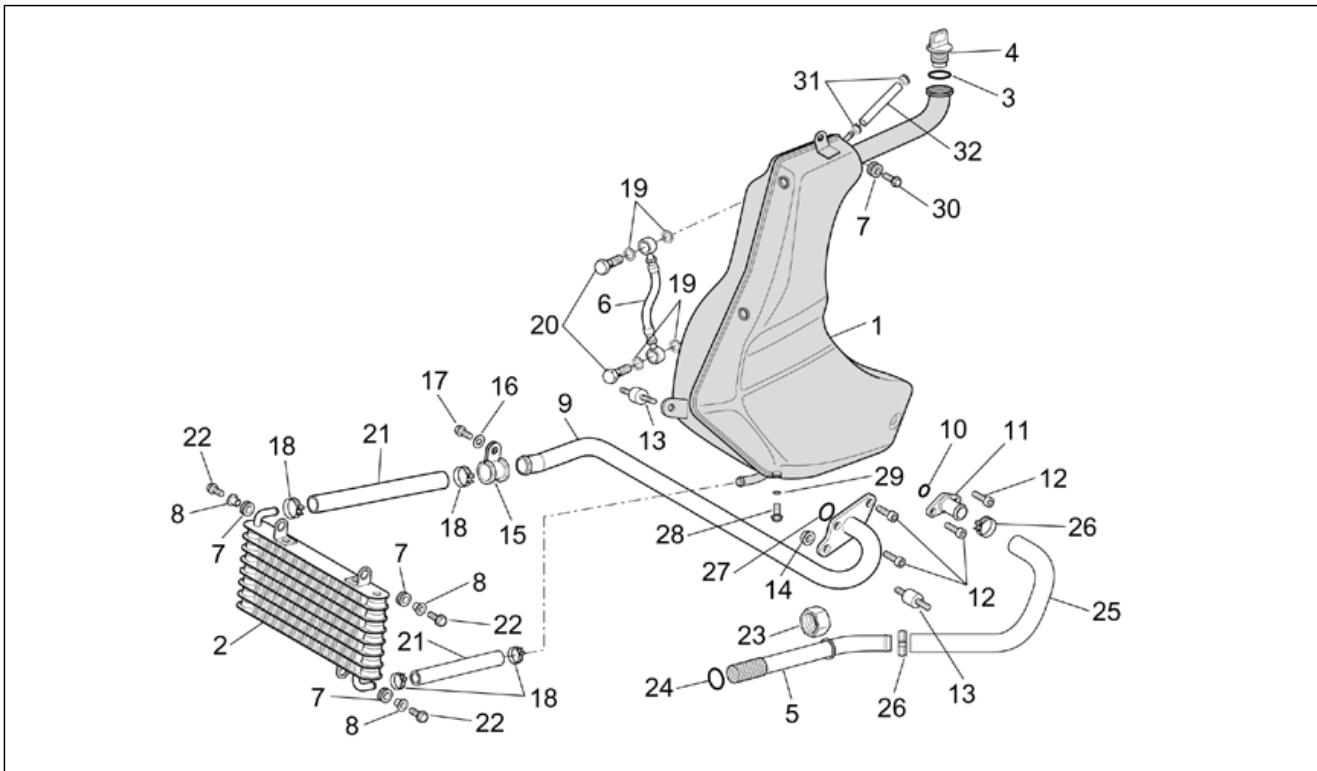
Pos.	Code	Description	Qty	Variants
1	AP8102952	Water cooler, RH black	1	
2	AP8102951	Water cooler, LH black	1	
3	AP8120981	Water hose coolers	1	
4	AP8104097	Hose clamp	2	
5	AP8124855	Fan, cpl.	2	
6	AP8101372	Silent-block	4	
7	AP8112600	Rubber spacer	2	
8	AP8120030	Rubber spacer	2	
9	AP8221023	T bush	2	
10	AP8150026	Nut M6	2	
11	AP8150340	Hex socket screw	2	
12	AP8152184	Washer 6,4x12*	2	
13	AP8152277	Screw w/ flange M6x12	2	
14	AP8152279	Screw w/ flange M6x20	2	
15	AP8150430	Low self-locking nut	2	
16	AP8152278	Screw w/ flange M6x16	2	

Group	FRAME
Code	28.31
Description	Expansion tank
Service	1



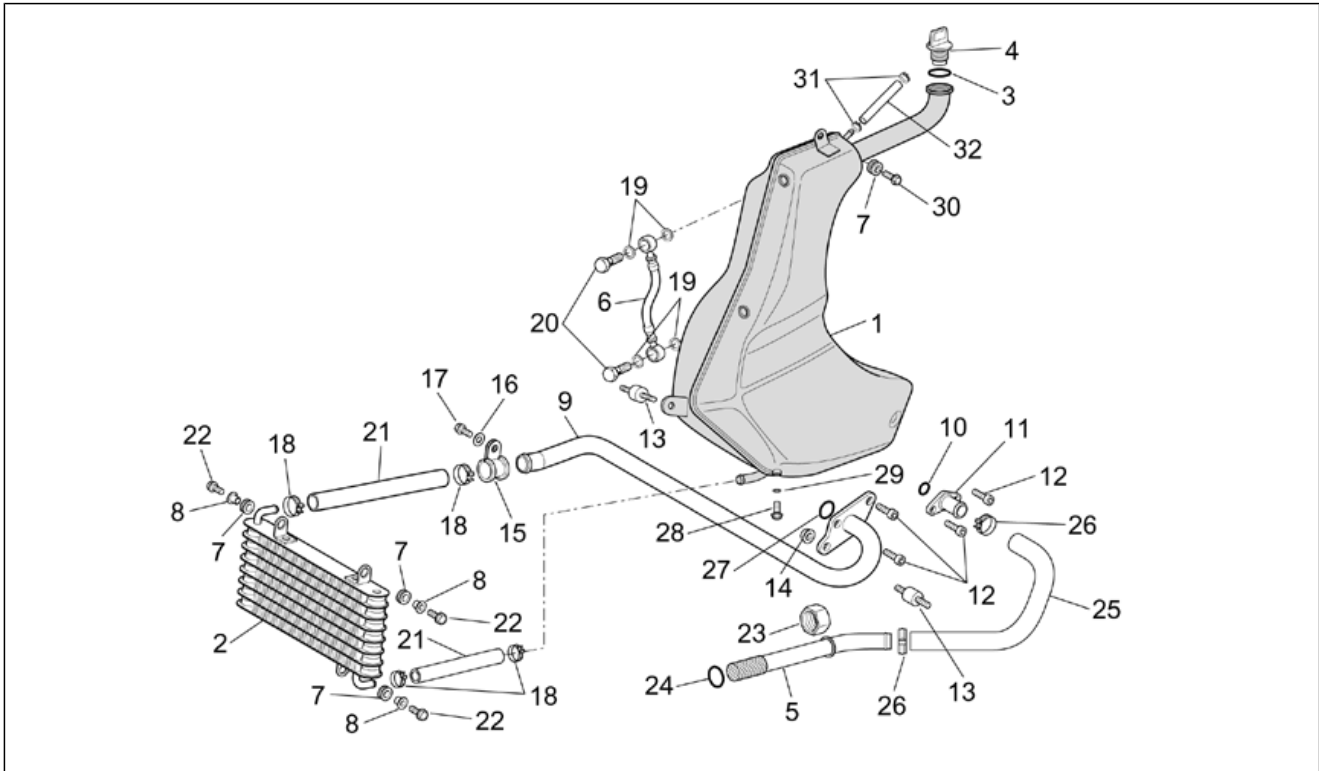
Pos.	Code	Description	Qty	Variants
1	AP8138556	Expansion tank	1	
2	AP8104124	Expansion tank plug	1	
3	AP8120355	Oil plug gasket	1	
4	AP8102615	Cover	1	
5	AP8120988	Filler cap	1	
6	AP8144032	Pump-Inlet pipe	1	
7	AP8120952	Fuel pipe 5,5x10	1	
8	AP8117033	Adhesive sponge	1	
9	AP8134684	Expansion tank support	1	
10	AP8102378	Hose clamp D11,3	2	
11	AP8221145	T bush *	3	
12	AP8152279	Screw w/ flange M6x20	1	
13	AP8101927	Hose clip D23,5x8*	1	
14	AP8102732	Hose clamp 17-25	1	
15	AP8152278	Screw w/ flange M6x16	2	
16	AP8120531	Rubber w/ insert	2	

Group	FRAME
Code	28.32
Description	Oil tank
Service	1



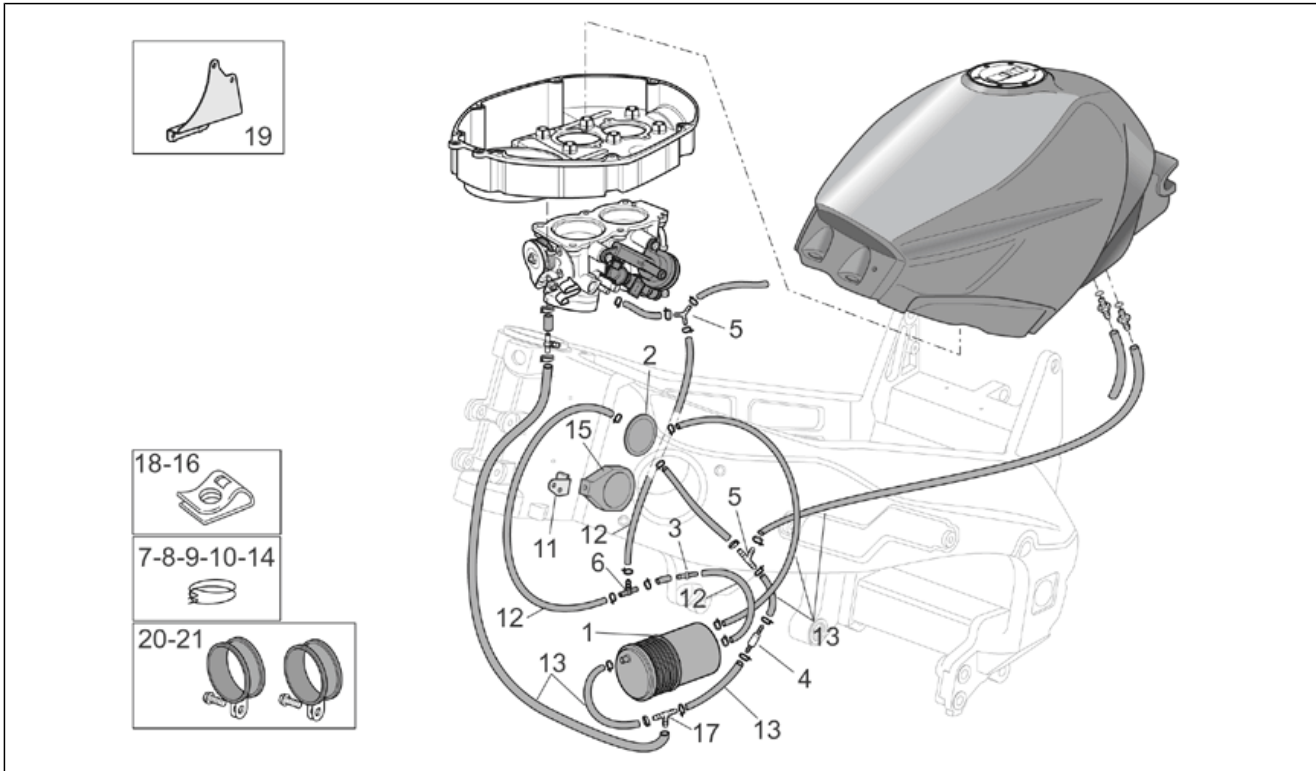
Pos.	Code	Description	Qty	Variants
1	AP8148997	Oil tank	1	
2	AP8104100	Oil cooler, black	1	
3	AP8120190	O-ring 3075	1	
4	AP8102618	Oil filler cap	1	
5	AP8144406	Oil filter	1	
6	AP8144059	Oil level pipe	1	
7	AP8120030	Rubber spacer	4	
8	AP8221023	T bush	3	
9	AP8106388	Oil pipe	1	
10	AP8120196	O-ring 3056	1	
11	AP8106387	Oil pipe	1	
12	AP8150137	Hex socket screw	4	
13	AP8144061	Silent-block	1	
14	AP8152299	Self-locking nut M6	1	
15	AP8102731	Hose clamp	1	
16	AP8150015	Washer 6,6x18x1,6*	1	
17	AP8152278	Screw w/ flange M6x16	1	
18	AP8102349	White hose clip D17,5x8	4	
19	AP8113004	Washer 10x14x1,6*	4	
20	AP8121409	Oil pipe screw	2	
21	AP8106389	Oil pipe 12x19	1	
22	AP8152279	Screw w/ flange M6x20	3	
23	AP8144405	Joint	1	
24	AP8144012	O-ring 121	1	
25	AP8144420	Oil pipe	1	
26	AP8102786	Hose clip 20x8	2	
27	AP8144008	O-ring 115	1	
28	AP8152285	Screw w/ flange	1	

Group	FRAME
Code	28.32
Description	Oil tank
Service	1



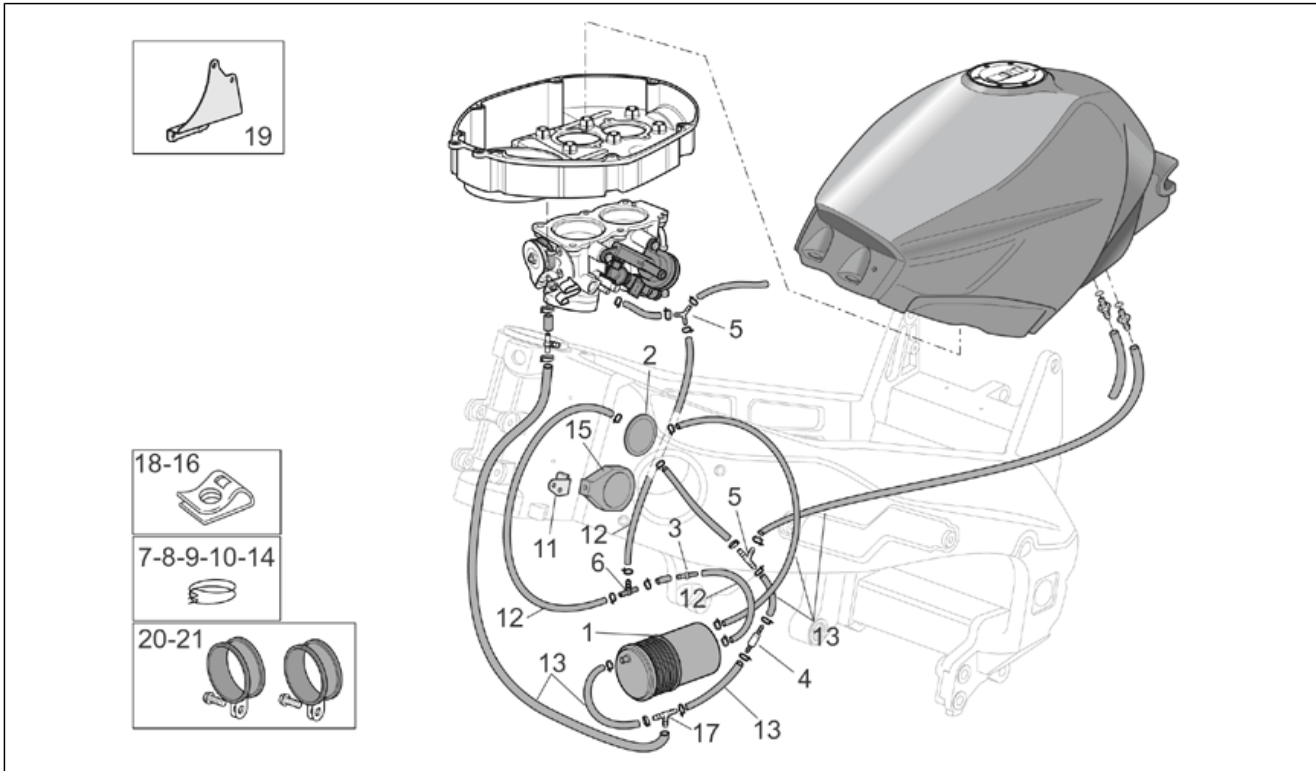
Pos.	Code	Description	Qty	Variants
29	AP8121862	Washer D8x16x1,5	1	
30	AP8152277	Screw w/ flange M6x12	1	
31	AP8120446	Hose clip, green D11x6,6x1	2	
32	AP8144015	Oil pipe 6x12	1	

Group	FRAME
Code	28.33
Description	Fuel vapour recover system
Service	1



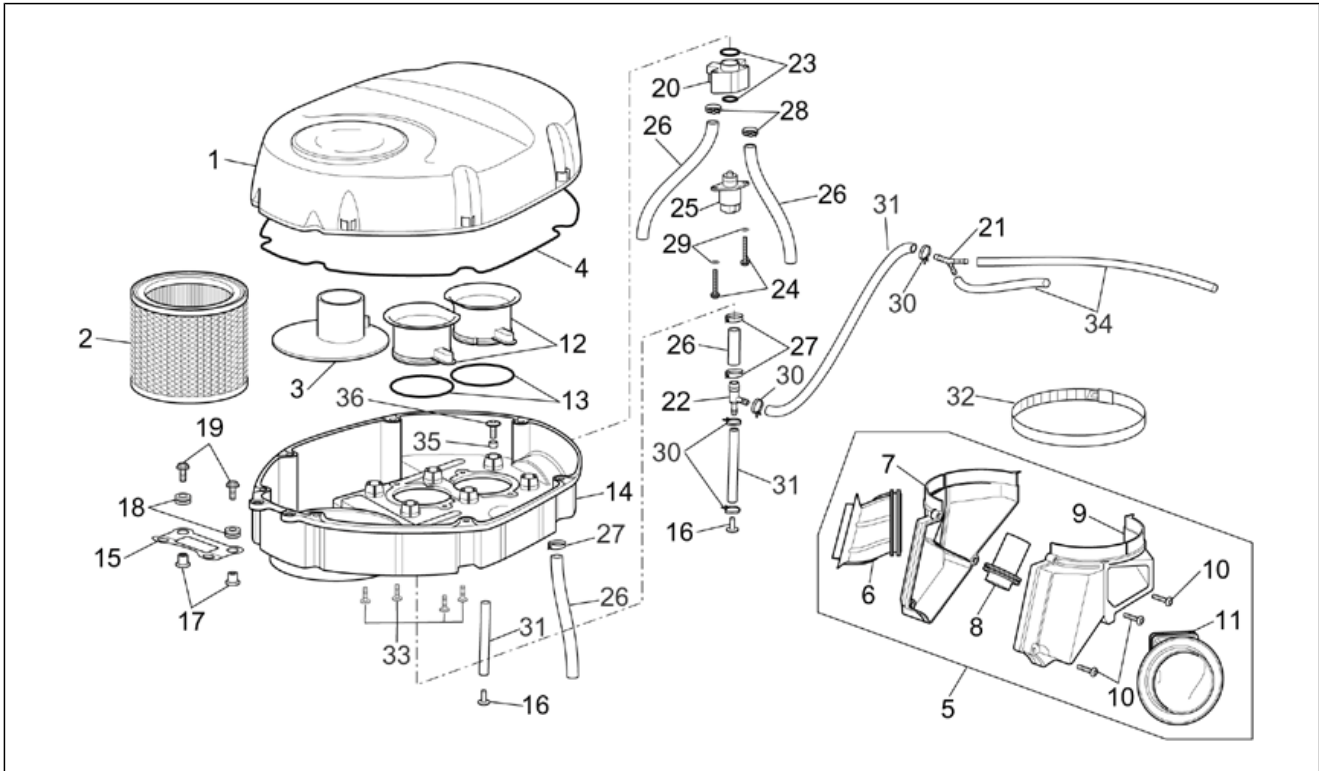
Pos.	Code	Description	Qty	Variants
1	AP8102678	Carbon filter	1	Country: USA (California Approval)[CF], United States of America[USA] Technical Specifications: California Approval[CAL]
2	AP8106764	"Purge" valve	1	Country: USA (California Approval)[CF], United States of America[USA] Technical Specifications: California Approval[CAL]
3	AP8121267	Choke hold	1	Country: USA (California Approval)[CF], United States of America[USA] Technical Specifications: California Approval[CAL]
4	AP8102985	Anti-return valve	1	Country: USA (California Approval)[CF], United States of America[USA] Technical Specifications: California Approval[CAL]
5	AP8120116	3-way union	2	Country: USA (California Approval)[CF], United States of America[USA] Technical Specifications: California Approval[CAL]
6	AP8102727	3-way union	1	Country: USA (California Approval)[CF], United States of America[USA] Technical Specifications: California Approval[CAL]
7	AP8102378	Hose clamp D11,3	2	Country: USA (California Approval)[CF], United States of America[USA] Technical Specifications: California Approval[CAL]
8	AP8102520	Hose clamp	1	Country: USA (California Approval)[CF], United States of America[USA] Technical Specifications: California Approval[CAL]
9	AP8101595	Hose clamp D10,1	12	Country: USA (California Approval)[CF], United States of America[USA] Technical Specifications: California Approval[CAL]
10	AP8120179	Hose clamp D8	6	Country: USA (California Approval)[CF], United States of America[USA] Technical Specifications: California Approval[CAL]
11	AP8134808	Support plate valve	1	Country: USA (California Approval)[CF], United States of America[USA] Technical Specifications: California Approval[CAL]

Group	FRAME
Code	28.33
Description	Fuel vapour recover system
Service	1



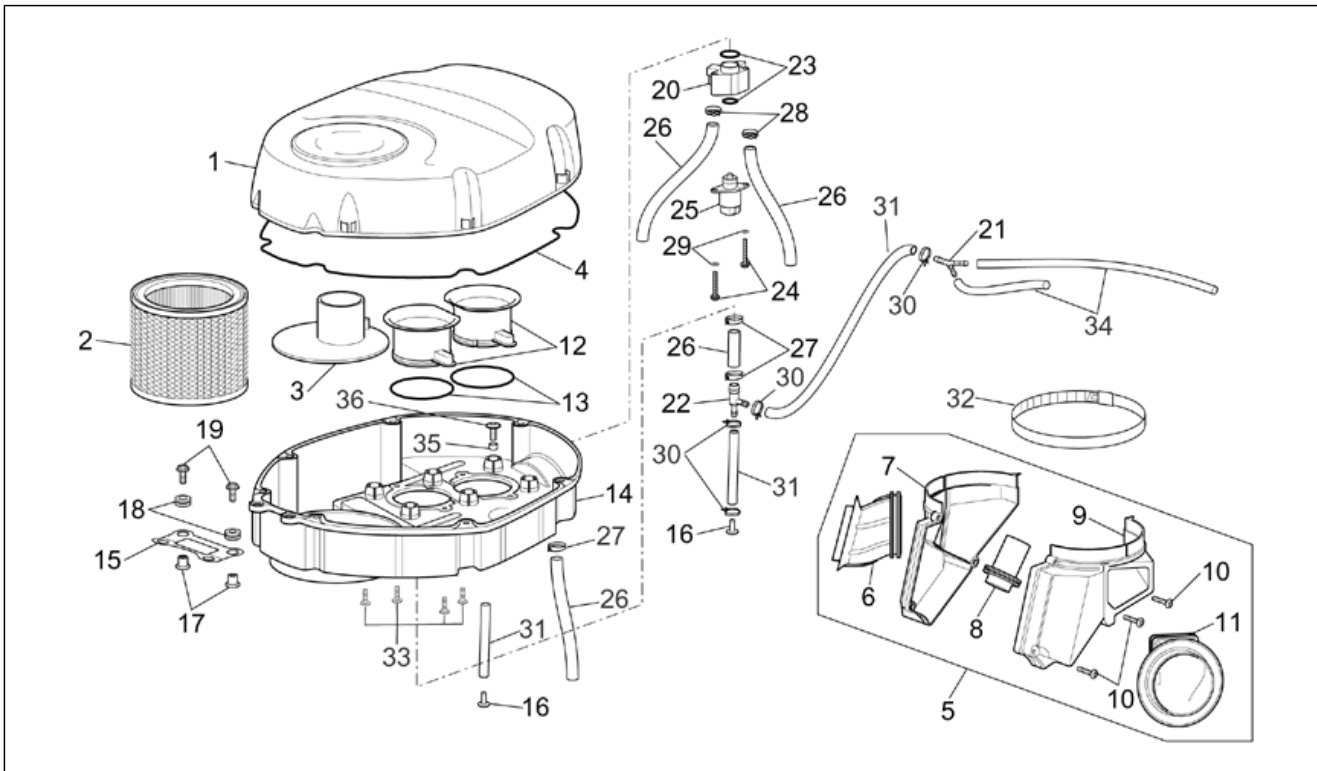
Pos.	Code	Description	Qty	Variants
12	AP8220263	Breather pipe 4x8	1	Country: USA (California Approval)[CF], United States of America[USA] Technical Specifications: California Approval[CAL]
13	AP8120952	Fuel pipe 5,5x10	1	Country: USA (California Approval)[CF], United States of America[USA] Technical Specifications: California Approval[CAL]
14	AP8102377	Hose clamp D9,1*	1	Country: USA (California Approval)[CF], United States of America[USA] Technical Specifications: California Approval[CAL]
15	AP8134650	Valve support clamp	1	Country: USA (California Approval)[CF], United States of America[USA] Technical Specifications: California Approval[CAL]
16	AP8102375	Clip m5	1	Country: USA (California Approval)[CF], United States of America[USA] Technical Specifications: California Approval[CAL]
17	AP8144303	3-way union	1	Country: USA (California Approval)[CF], United States of America[USA] Technical Specifications: California Approval[CAL]
18	AP8102376	Clip M6	2	Country: USA (California Approval)[CF], United States of America[USA] Technical Specifications: California Approval[CAL]
19	AP8134809	Canister support plate	1	Country: USA (California Approval)[CF], United States of America[USA] Technical Specifications: California Approval[CAL]
20	AP8102719	Hose clamp d.80,5	1	Country: USA (California Approval)[CF], United States of America[USA] Technical Specifications: California Approval[CAL]
21	AP8102688	Hose clamp d.76	1	Country: USA (California Approval)[CF], United States of America[USA] Technical Specifications: California Approval[CAL]

Group	FRAME
Code	28.34
Description	Air box
Service	1



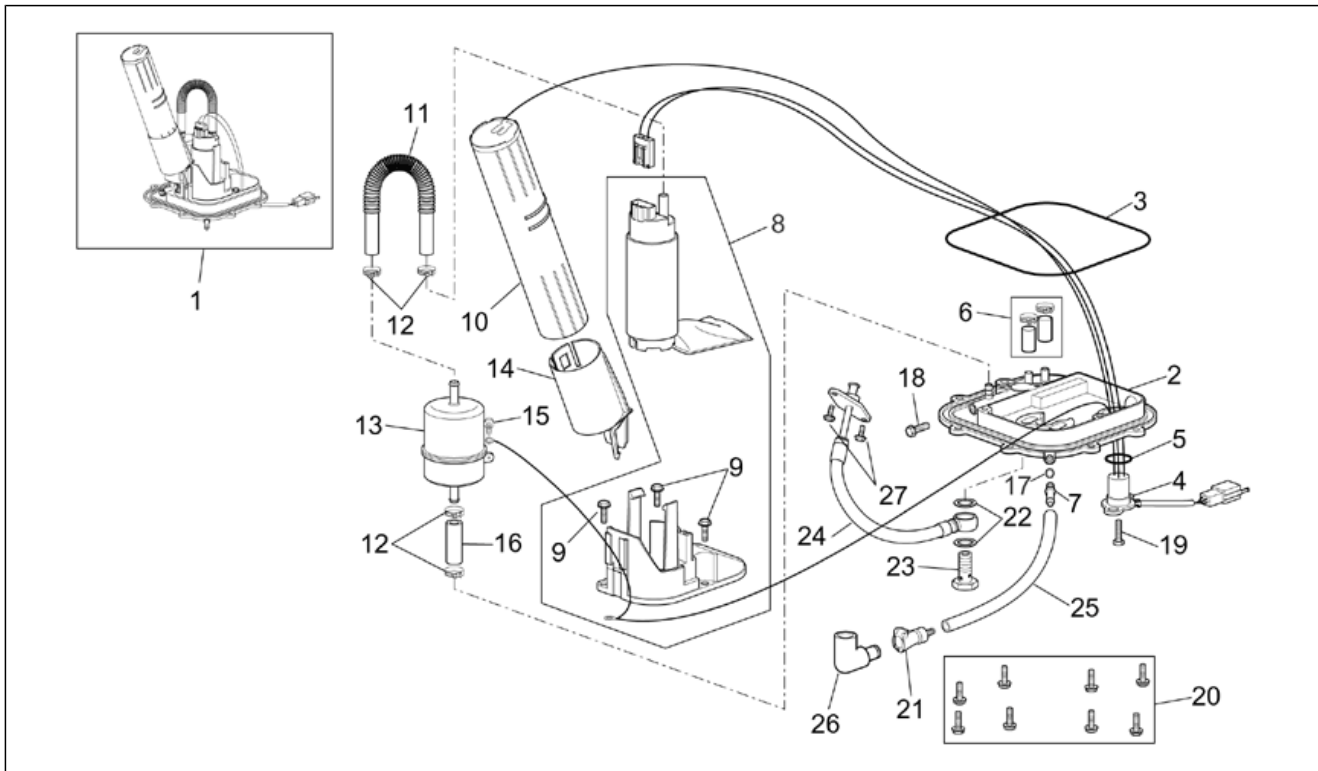
Pos.	Code	Description	Qty	Variants
1	AP8149048	Upper side filter case	1	
2	AP8102610	Air filter	1	
3	AP8134739	Reduction diaphragm	1	Country: Austria[A], Australia[AA], USA (49 Countries Approval)[AM], Australia[AUS], USA (California Approval)[CF], Switzerland[CH], Germany[D], Denmark[DK], Spain[E], A, B, CH, D, DK, E, F, I, NL, P[EU], Italy[I], Japan[J], Japan[JJ], Holland[NL], Portugal[P], Great Britain[UK], United States of America[USA]
3	AP8134743	Reduction diaphragm	1	Country: Belgium[B], Belgium[BB] Technical Specifications: 72 Kw power version[72kw]
4	AP8120615	Gasket D3	1	
5	AP8144414	Intake hose	1	
6	AP8144381	Intake hose RH	1	
7	AP8106812	RH intake manifold	1	
8	AP8144383	Choke hold	1	
9	AP8106813	LH intake manifold	1	
10	AP8221242	Spec. self-tap screw 3,5x20	3	
11	AP8144382	Intake hose LH	1	
12	AP8106395	Intake opening	2	
13	AP8144063	O-ring 159	2	
14	AP8149049	Lower side filter case	1	Country: Denmark[DK], Spain[E], A, B, CH, D, DK, E, F, I, NL, P[EU], Italy[I], Japan[J], Japan[JJ], Holland[NL], Portugal[P], Great Britain[UK], United States of America[USA]
14	AP8149049	Lower side filter case	1	Country: Austria[A], Australia[AA], USA (49 Countries Approval)[AM], Australia[AUS], Belgium[B], Belgium[BB], USA (California Approval)[CF], Switzerland[CH], Germany[D]
14	AP8158012	Lower side filter case	1	Country: France[F], France[FF] Technical Specifications: 78 Kw power version[78kw]
14	AP8158012	Lower side filter case	1	Country: Belgium[B], A, B, CH, D, DK, E, F, I, NL, P[EU] Technical Specifications: 78 Kw power version[78kw]

Group	FRAME
Code	28.34
Description	Air box
Service	1



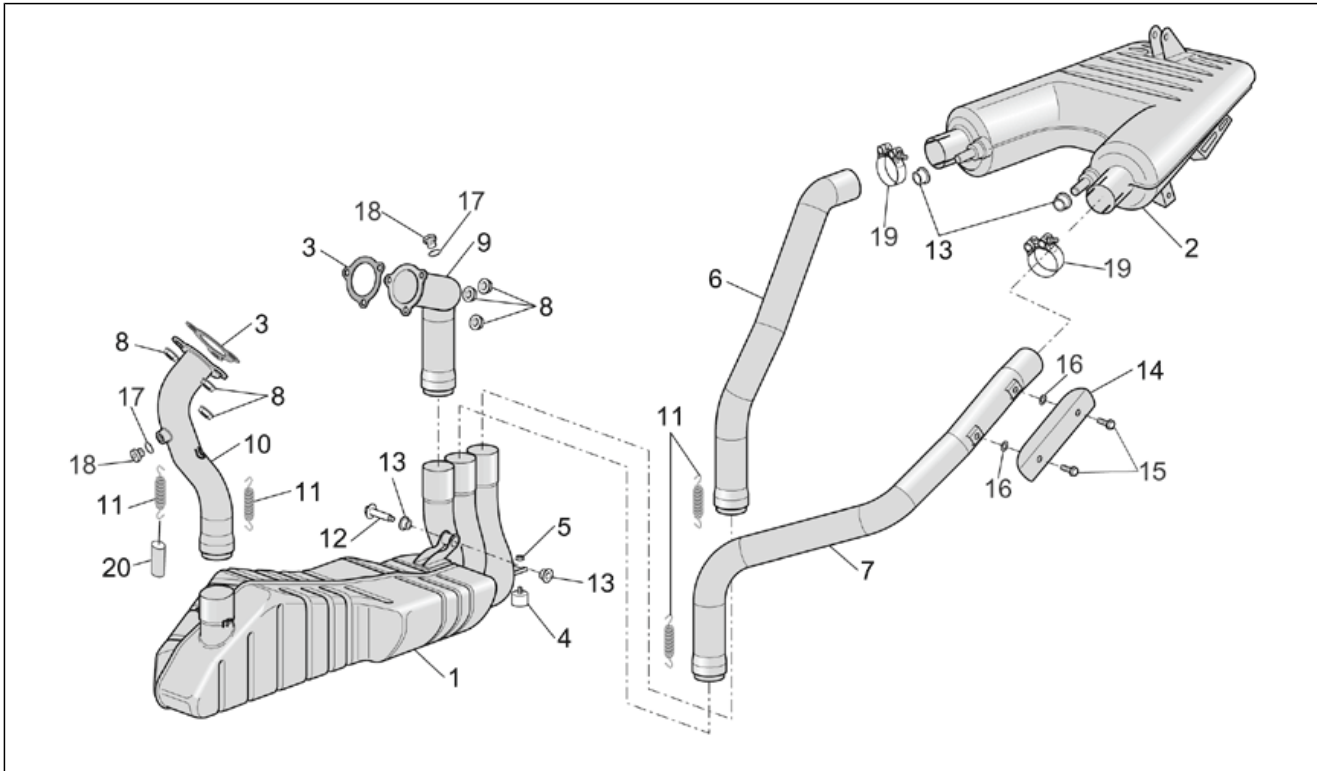
Pos.	Code	Description	Qty	Variants
15	AP8134478	Filter case front. supp.	1	
16	AP8120876	Plug	4	
17	AP8121731	T bush *	2	
18	AP8220370	Filter housing rubber	2	
19	AP8152278	Screw w/ flange M6x16	2	
20	AP8149165	Min.adj.valve	1	
21	AP8104250	Joint "y"	1	
22	AP8202154	3-way union	1	
23	AP8220095	O-ring	2	
24	AP8150406	Screw	2	
25	AP8124981	Min.regulation engine	1	
26	AP8120987	pipe 9x14	2	
27	AP8102766	Hose clamp	3	
28	AP8101595	Hose clamp D10,1	3	
29	AP8150272	Curved spring washer 5,3x10x0,5	4	
30	AP8120446	Hose clip, green D11x6,6x1	8	
31	AP8144038	Fuel pipe 6x10	1	
32	AP8102763	Hose clamp 100-120	1	
33	AP8150413	Self-tap screw 3,9x14	5	
34	AP8120955	Pipe, grey 3x8	1	
35	AP8120253	Spacer	6	
36	AP8152246	Screw w/ flange M6x16	6	

Group	FRAME
Code	28.35
Description	Fuel pump
Service	1



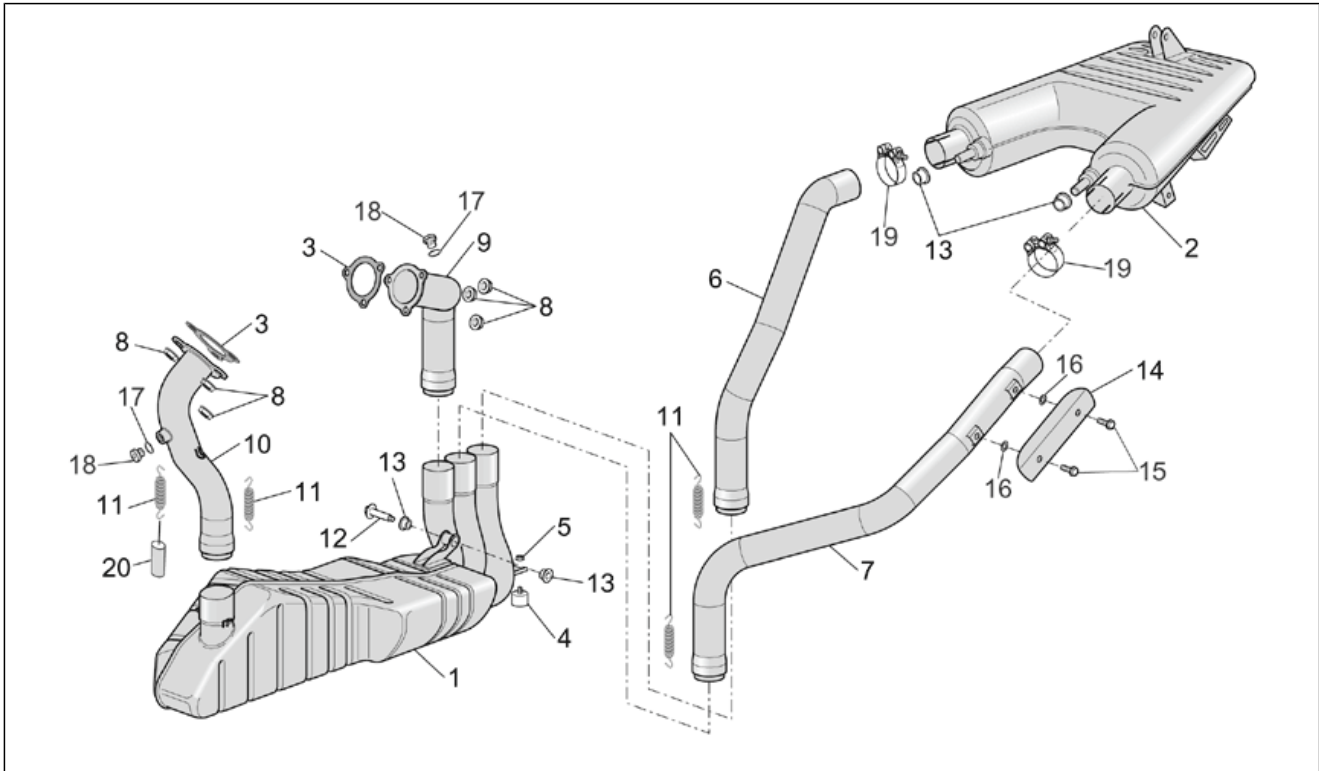
Pos.	Code	Description	Qty	Variants
1	AP8106865	Fuel pump cpl.	1	
2	AP8134750	Fuel pump flange	1	
3	AP8144477	Gasket ring	1	
4	AP8124664	Fuel pump wiring	1	
5	AP8144475	Gasket ring	1	
6	AP8104375	Pipe closing breather set	1	
7	AP8104374	Joint	1	
8	AP8106888	Fuel pump	1	
9	AP8121536	screw	3	
10	AP8124588	Level sensor	1	
11	AP8144226	Fuel pipe	1	
12	AP8104373	Hose clamp	4	
13	AP8102971	Fuel filter	1	
14	AP8134802	Level sensor holder	1	
15	AP8121537	Self-tap screw	1	
16	AP8144476	Fuel pipe	1	
17	AP8144227	Gasket	1	
18	AP8121540	screw	1	
19	AP8121538	screw	2	
20	AP8152273	Screw w/ flange M5X15	8	
21	AP8102829	Joint	1	
22	AP8106444	Gasket 18x12,2x1,5	2	
23	AP8106443	Bored screw	1	
24	AP8144364	Fuel pipe	1	
25	AP8144069	Fuel pipe 6x13	1	
26	AP8104993	Male tip union	1	
27	AP8152272	Screw w/ flange M5x12	2	

Group	FRAME
Code	28.37
Description	Exhaust pipe
Service	1



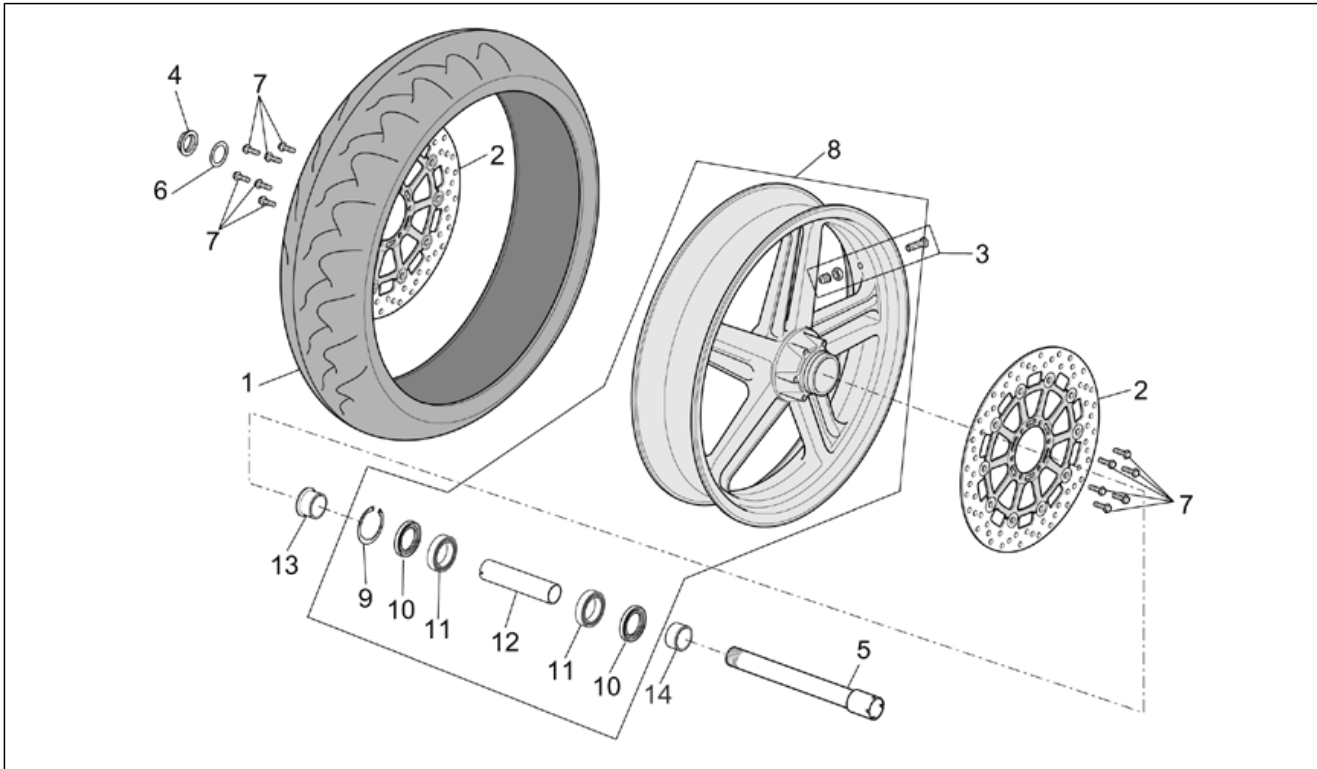
Pos.	Code	Description	Qty	Variants
1	AP8119530	Central exhaust compensator	1	Country: Austria[A], Australia[AA], Australia[AUS], Belgium[B], Belgium[BB], Switzerland[CH], Germany[D], Denmark[DK], Spain[E], A, B, CH, D, DK, E, F, I, NL, P[EU], France[F], France[FF], Italy[I], Japan[J], Japan[JJ], Holland[NL], Portugal[P], Great Britain[UK]
1	AP8119656	Central exhaust compensator	1	Country: USA (49 Countries Approval)[AM], USA (California Approval)[CF], United States of America[USA]
2	AP8119529	Silencer	1	Country: Austria[A], Australia[AA], Australia[AUS], Belgium[B], Belgium[BB], Switzerland[CH], Germany[D], Denmark[DK], Spain[E], A, B, CH, D, DK, E, F, I, NL, P[EU], France[F], France[FF], Italy[I], Japan[J], Japan[JJ], Holland[NL], Portugal[P], Great Britain[UK]
2	AP8119647	Silencer	1	Country: USA (49 Countries Approval)[AM], USA (California Approval)[CF], United States of America[USA]
3	AP8119414	Exhaust pipe gasket	2	
4	AP8144030	Stand end stop	1	
5	AP8152299	Self-locking nut M6	1	
6	AP8119575	RH rear exhaust pipe	1	
7	AP8119576	LH rear exhaust pipe	1	
8	AP8150334	Nut M8	6	
9	AP8119537	Rear exhaust pipe	1	
10	AP8119538	Front. Exhaust pipe	1	
11	AP8121355	Exhaust pipes spring	5	
12	AP8146473	Exhaus compensator support	1	
13	AP8144423	Rubber spacer	4	
14	AP8134748	Handle cover	1	
15	AP8152342	Screw w/ flange M6x12	2	
16	AP8221297	Insulating washer	2	
17	AP8119665	Copper washer	2	
18	AP8119664	Cover	2	
19	AP8119666	Clamps	2	

Group	FRAME
Code	28.37
Description	Exhaust pipe
Service	1



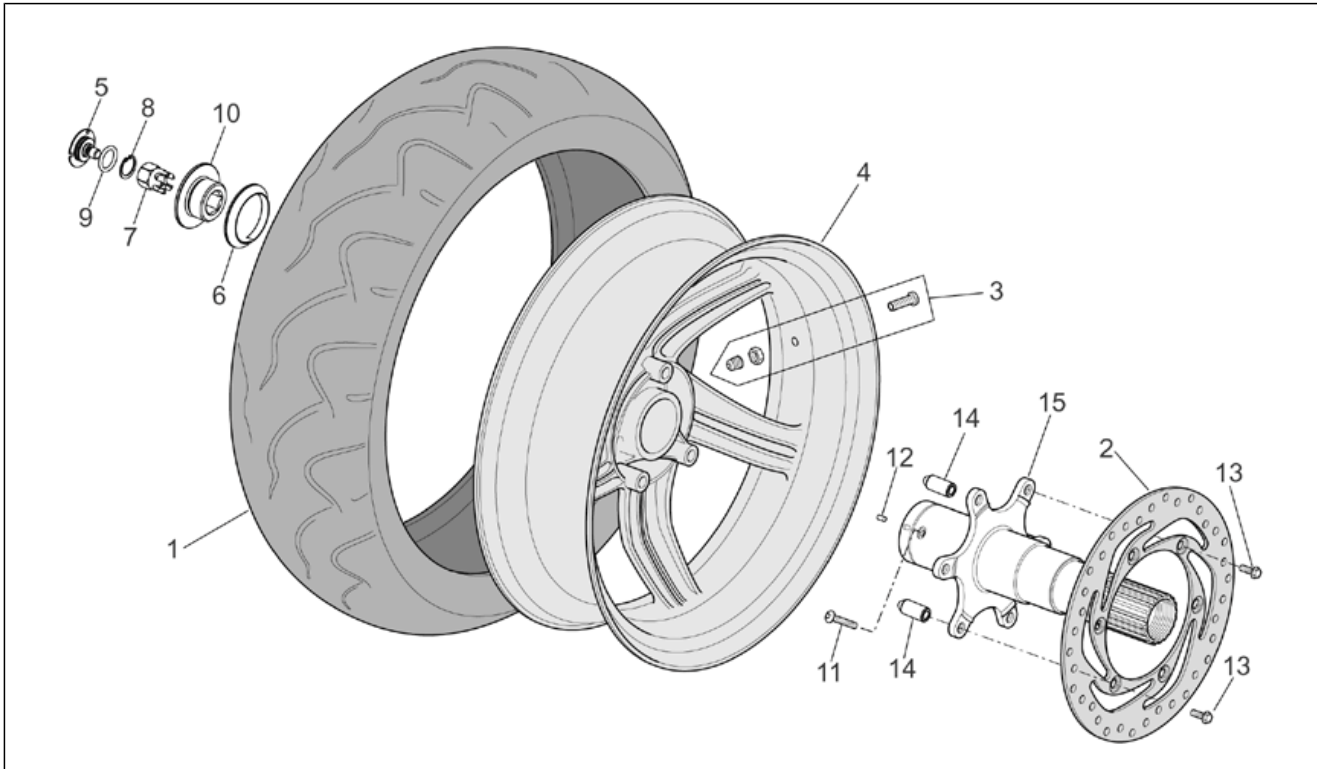
Pos.	Code	Description	Qty	Variants
20	AP8144504	Sheath	5	

Group	FRAME
Code	28.38
Description	Front wheel
Service	1



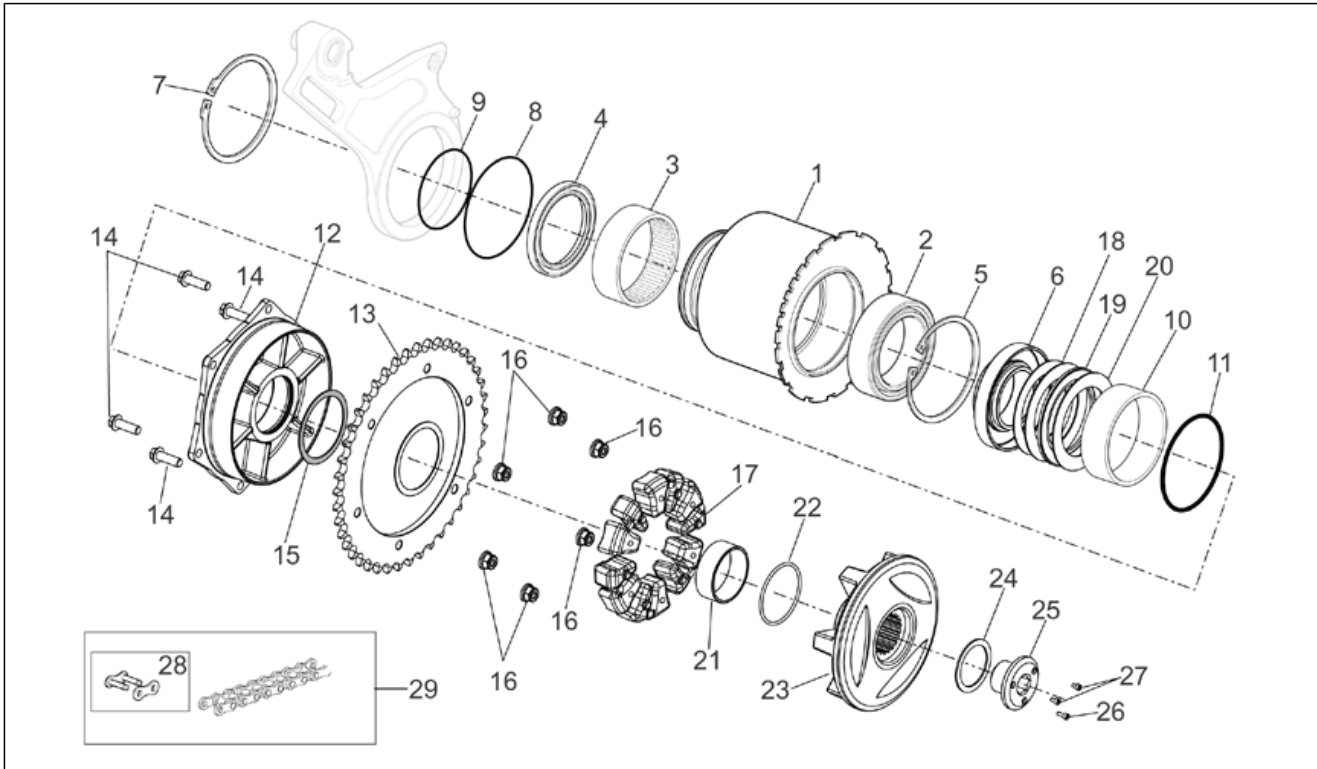
Pos.	Code	Description	Qty	Variants
1	0000000	Tyre	1	
2	AP8113887	Front brake disc d.298	2	
3	AP8101744	Tubeless tyre valve	1	
4	AP8152335	Wheel spindle nut	1	
5	AP8125727	Front wheel spindle	1	
6	AP8152323	Washer 25,2x36x1	1	
7	AP8152286	Screw w/ flange M8x20	12	
8	AP8108939	Front wheel	1	Vehicle colour: Flame Red 2001-2002[f.red], Infinity Blue 2001-2002[l.blu], Stream silver 2001-2002[s.sil]
8	AP8128005	Front wheel	1	Vehicle colour: Ash greu 2002[ash.g], Darkness Black 2003[d.black], Hilton Blue 2003[h.blu]
9	AP8125779	Circlip	1	
10	AP8125773	Gasket ring 30x47x7	2	
11	AP8125777	Ball bearing 25x47x12	2	
12	AP8125778	Internal spacer	1	
13	AP8125884	Front RH wheel spacer	1	
14	AP8125885	Front LH wheel spacer	1	

Group	FRAME
Code	28.39
Description	Rear wheel I
Service	1



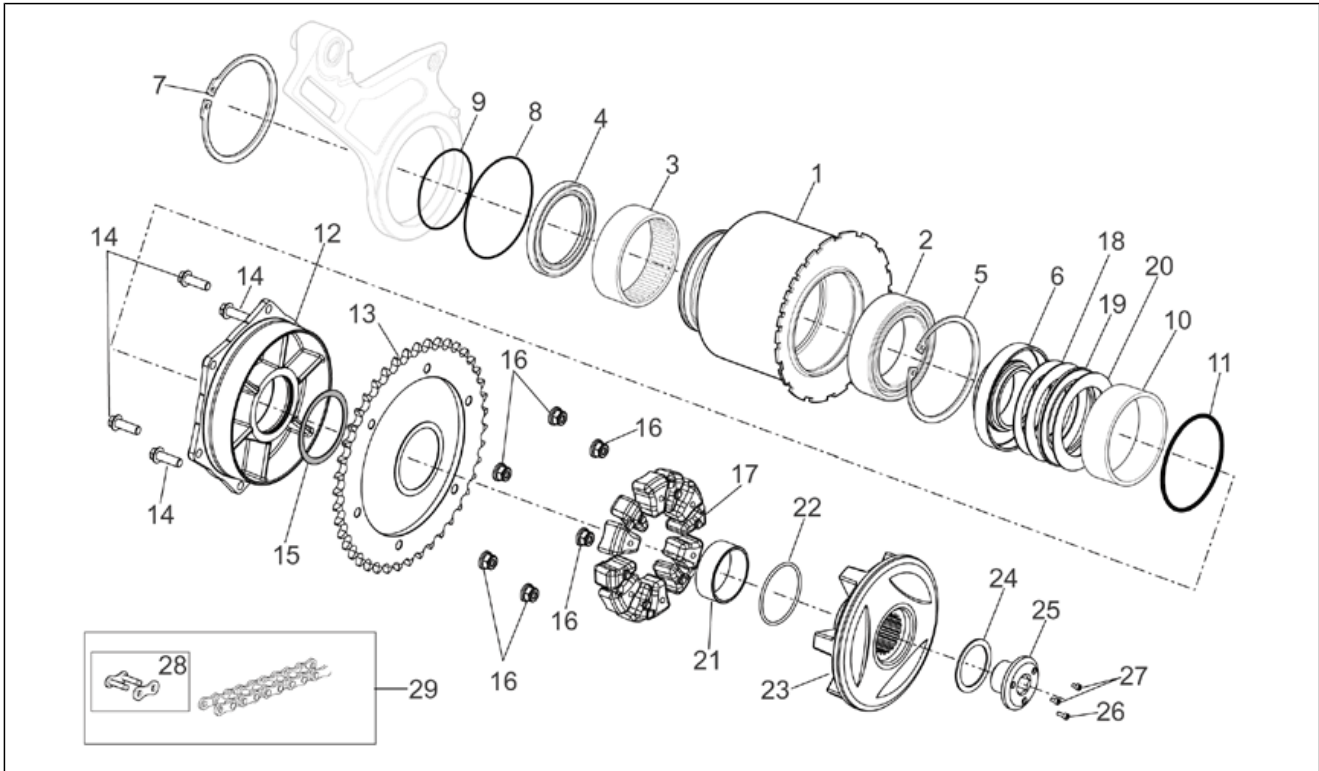
Pos.	Code	Description	Qty	Variants
1	0000000	Tyre	1	
2	AP8113835	Rear brake disc	1	
3	AP8101744	Tubeless tyre valve	1	
4	AP8108821	Rear wheel	1	Vehicle colour: Flame Red 2001-2002[f.red], Infinity Blue 2001-2002[l.blu], Stream silver 2001-2002[s.sil]
4	AP8108965	Rear wheel	1	Vehicle colour: Ash greu 2002[ash.g], Darkness Black 2003[d.black], Hilton Blue 2003[h.blu]
5	AP8108864	Wheel screw cover	1	Year: 2001[1], 2002[2] Vehicle colour: Flame Red 2001-2002[f.red], Infinity Blue 2001-2002[l.blu], Stream silver 2001-2002[s.sil]
5	AP8108966	Wheel screw cover	1	Year: 2002[2], 2003[3] Vehicle colour: Ash greu 2002[ash.g], Darkness Black 2003[d.black], Hilton Blue 2003[h.blu]
6	AP8121450	Wheel cone	1	
7	AP8121452	Wheel screw stop	1	
8	AP8121457	Circlip	1	
9	AP8144424	O-ring 4075	1	
10	AP8125835	Wheel screw	1	Year: 2001[1], 2002[2] Vehicle colour: Flame Red 2001-2002[f.red], Infinity Blue 2001-2002[l.blu], Stream silver 2001-2002[s.sil]
10	AP8125898	Wheel screw	1	Year: 2002[2], 2003[3] Vehicle colour: Ash greu 2002[ash.g], Darkness Black 2003[d.black], Hilton Blue 2003[h.blu]
11	AP8152128	Hex socket screw M6x30	1	
12	AP8121451	Tab	1	
13	AP8152285	Screw w/ flange	6	
14	AP8121449	Pin	3	
15	AP8125806	Rear hub	1	

Group	FRAME
Code	28.40
Description	Rear wheel II
Service	1



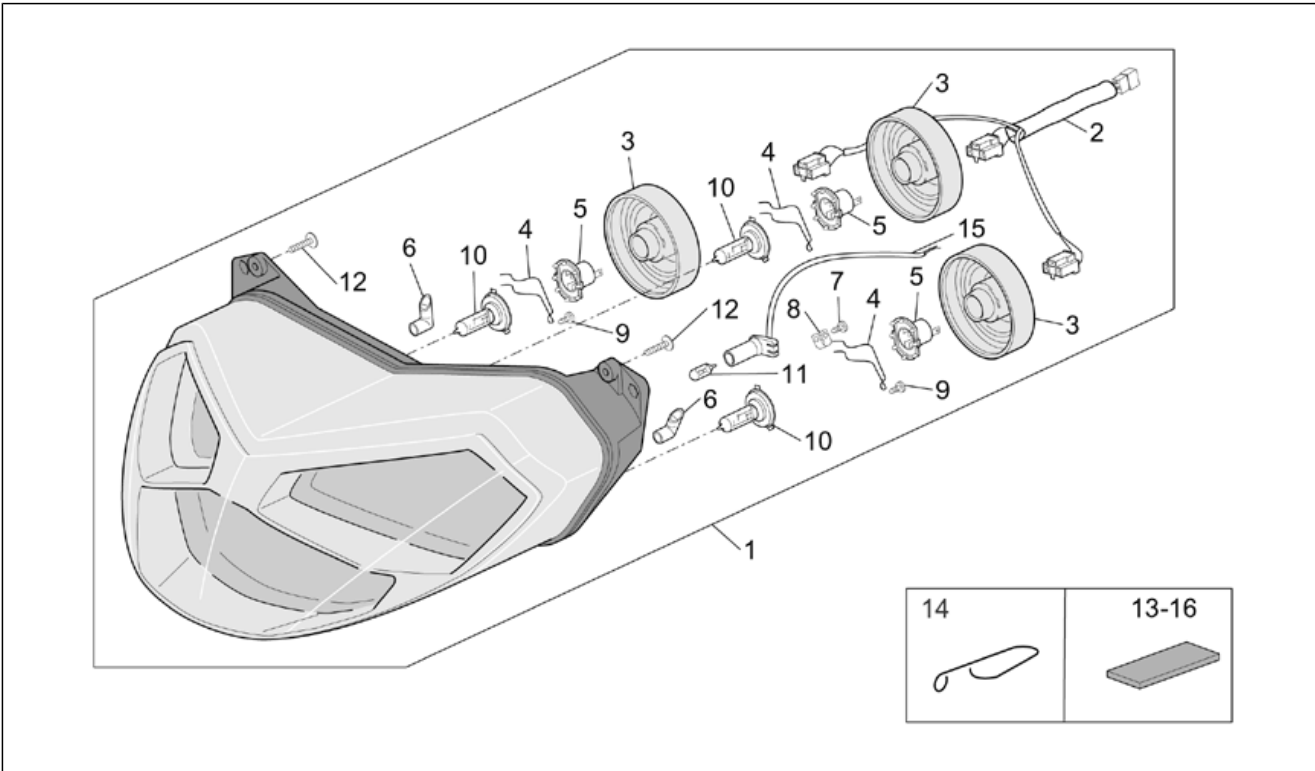
Pos.	Code	Description	Qty	Variants
1	AP8121377	Cam	1	
2	AP8110091	Bearing	1	
3	AP8110092	Cage à rouleaux	1	
4	AP8121442	Gasket ring	2	
5	AP8121441	Circlip	1	
6	AP8121446	Thrust plate spacer	1	
7	AP8121448	Circlip	1	
8	AP8121443	O-ring	1	
9	AP8144416	O-ring 2150	1	
10	AP8110102	Cage à rouleaux	1	
11	AP8144417	O-ring 3256	1	
12	AP8125807	Crown holder	1	
13	AP8107138	Chain ring	1	
14	AP8152287	Screw w/ flange M8x25	6	
15	AP8152404	Thrust washer 60x72x1	1	
16	AP8152300	Self-locking nut M8	6	
17	AP8125808	Spring drive rubber	6	
18	AP8121502	Belleville spring	1	
19	AP8121499	Roller cage	1	
20	AP8121498	Fifth wheel	2	
21	AP8121535	Ring	1	
22	AP8144474	O-ring 3218	1	
23	AP8125809	Spring drive holder	1	
24	AP8121501	Belleville spring 40,5x51,5x1,5	1	
25	AP8125836	screw	1	
26	AP8152394	Hex socket screw M3x8	1	
27	AP8125854	Hex socket screw m3x5	2	
28	AP8107136	Connecting link	1	Technical Specifications: For chain with D.I.D.sign[DID]

Group	FRAME
Code	28.40
Description	Rear wheel II
Service	1



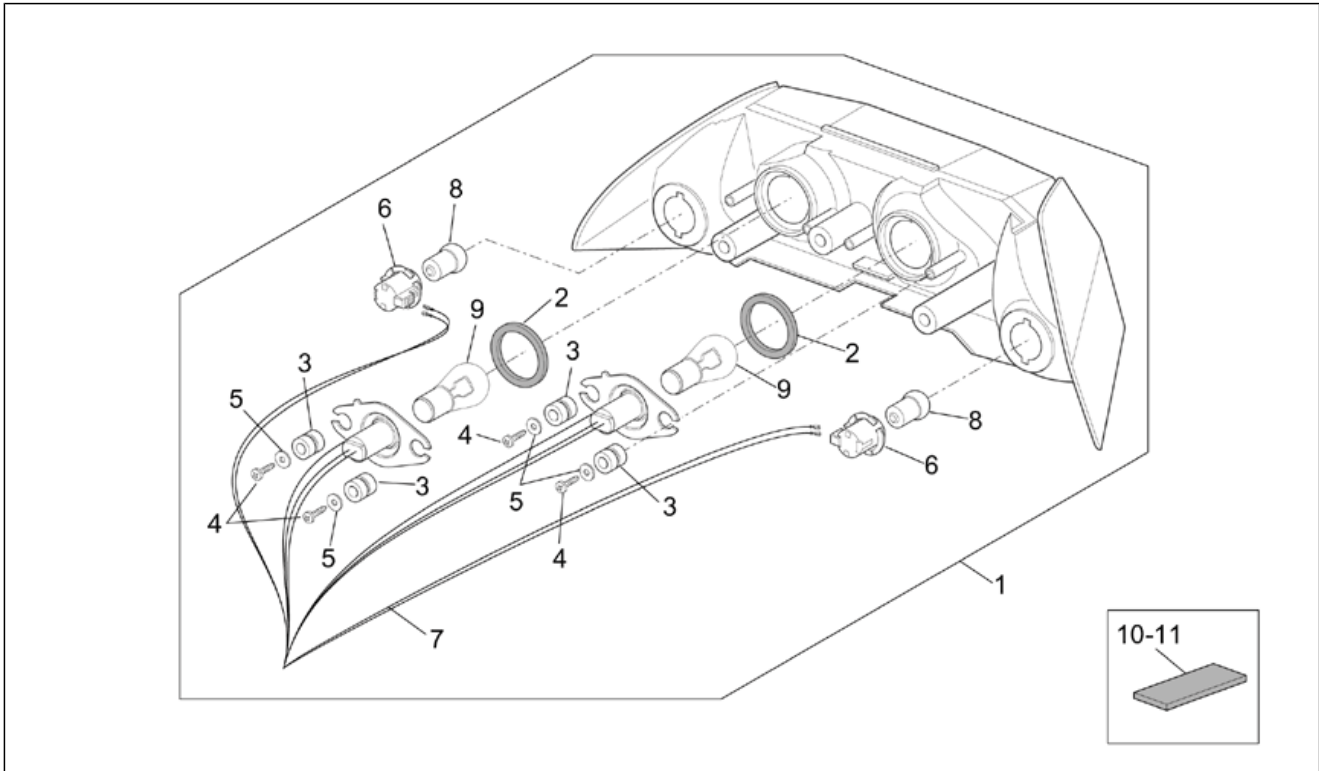
Pos.	Code	Description	Qty	Variants
28	AP8107150	Connecting link	1	Technical Specifications: For chain with REGINA sign[REG]
29	AP8107118	Chain cpl conn.link	1	Technical Specifications: For chain with D.I.D.sign[DID]
29	AP8107148	Chain cpl conn.link	1	Technical Specifications: For chain with REGINA sign[REG]

Group	FRAME
Code	28.41
Description	Headlight
Service	1



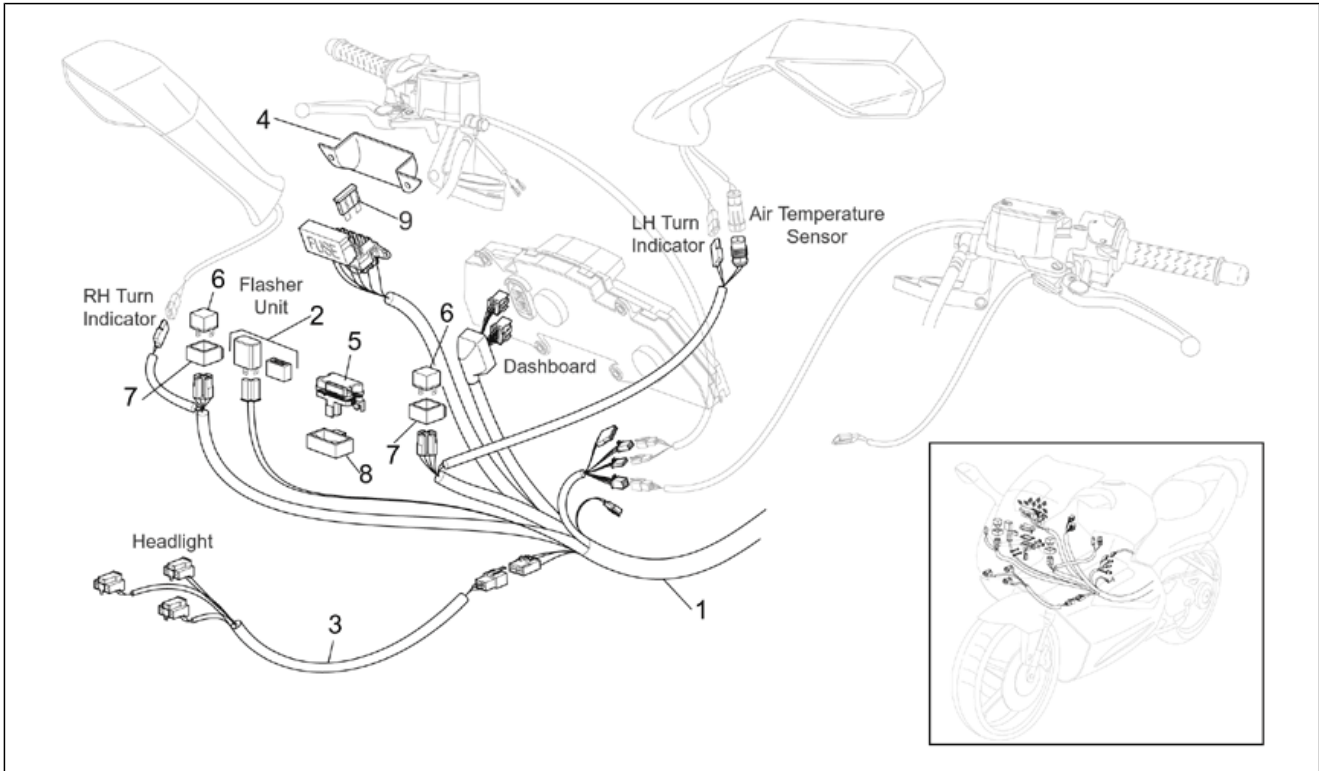
Pos.	Code	Description	Qty	Variants
1	AP8124697	Headlight	1	Country: Austria[A], Belgium[B], Belgium[BB], Switzerland[CH], Germany[D], Denmark[DK], Spain[E], A, B, CH, D, DK, E, F, I, NL, P[EU], France[F], France[FF], Italy[I], Holland[NL], Portugal[P]
1	AP8124926	Headlight	1	Country: Australia[AA], Australia[AUS], Japan[J], Japan[JJ], Great Britain[UK]
1	AP8127106	Headlight	1	Country: USA (49 Countries Approval)[AM], USA (California Approval)[CF], United States of America[USA]
2	AP8127181	Headlight wiring w/harness	1	
3	AP8127182	Front headlight guard	3	
4	AP8127184	Spring	3	
5	AP8127185	Lampholder	3	
6	AP8127186	Ventilation plug	2	
7	AP8127187	screw	1	
8	AP8127188	Lock	1	
9	AP8127189	screw	2	
10	AP8127109	Lamp H7-12V-55W	3	
11	AP8224393	Lamp WY5W 12V	1	
12	AP8152338	Screw w/ flange	4	
13	AP8117033	Adhesive sponge	2	
14	AP8144316	Brake hose protection	2	
15	AP8124906	Town lights switch wiring	1	
16	AP8117200	Adhesive sponge	3	

Group	FRAME
Code	28.42
Description	Taillight
Service	1



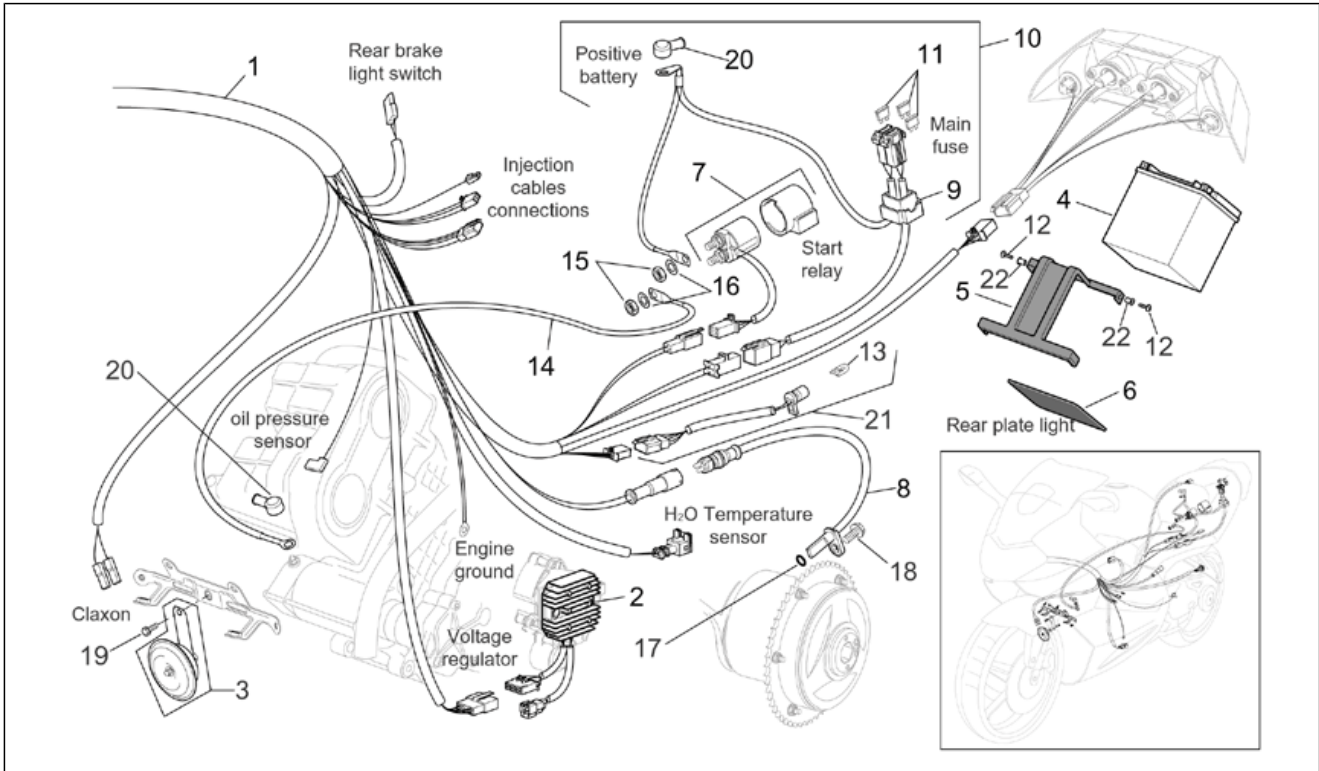
Pos.	Code	Description	Qty	Variants
1	AP8124693	Taillight	1	
2	AP8127190	Gasket	2	
3	AP8127191	Rubber spacer	4	
4	AP8127192	screw	4	
5	AP8127193	Washer	4	
6	AP8127194	Lampholder	2	
7	AP8127195	Wiring	1	
8	AP8127196	Lamp	2	
9	AP8224389	Lamp P21/5W 12V	2	
10	AP8117004	Adhesive sponge 15x8	1	
11	AP8117033	Adhesive sponge	1	

Group	FRAME
Code	28.43
Description	Front electrical system
Service	1



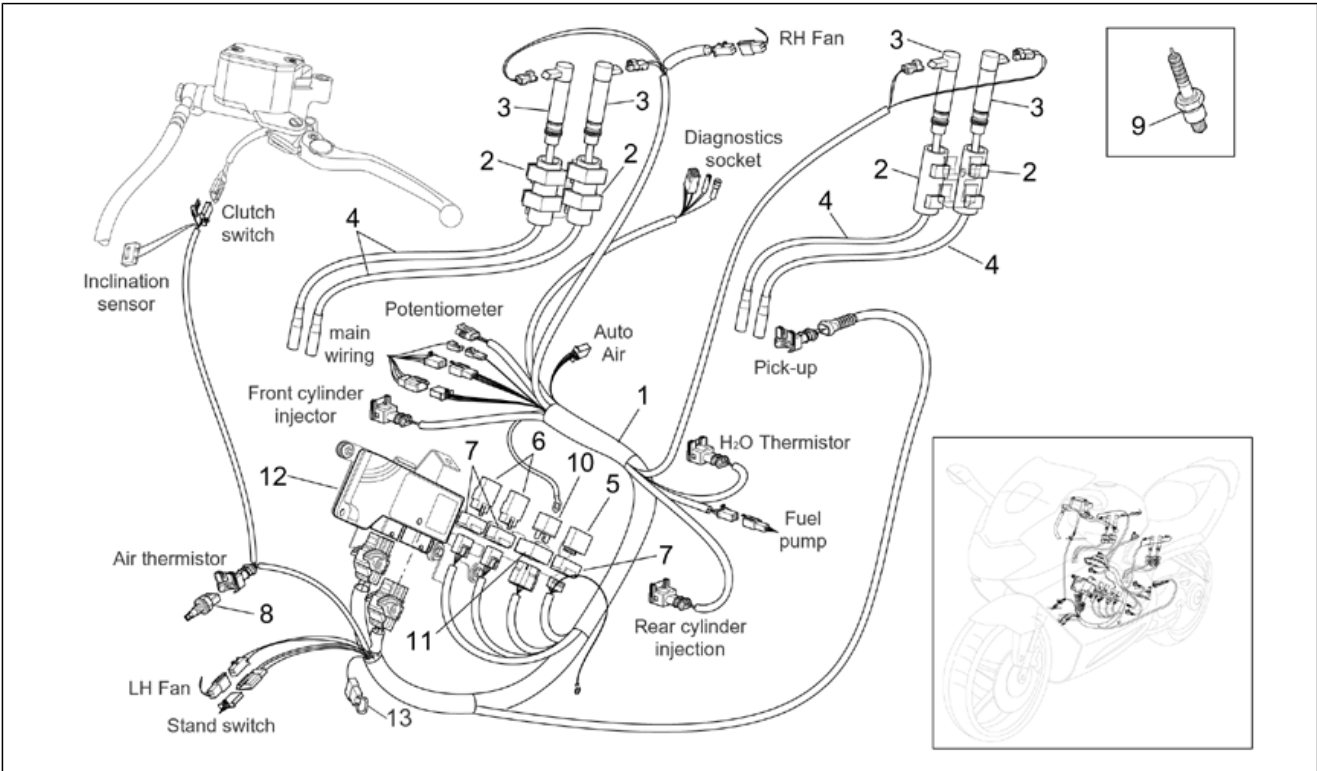
Pos.	Code	Description	Qty	Variants
1	AP8124691	Main wiring harness	1	
2	AP8124235	Flasher unit	1	
3	AP8124763	Headlight wiring w/harness	1	
4	AP8149313	Cover	1	Year:2001[1], 2002[2] Vehicle colour:Flame Red 2001-2002[f.red], Infinity Blue 2001-2002[l.blu], Stream silver 2001-2002[s.sil]
4	AP8158865	Cover	1	Year:2002[2], 2003[3] Vehicle colour:Ash greu 2002[ash.g], Darkness Black 2003[d.black], Hilton Blue 2003[h.blu]
5	AP8124954	Inclination sensor	1	
6	AP8224057	Starter relay	2	
7	AP8220546	Relay rubber	2	
8	AP8144401	Sensor support	1	
9	AP8112176	Fuse 15A	8	

Group	FRAME
Code	28.44
Description	Central electrical system
Service	1



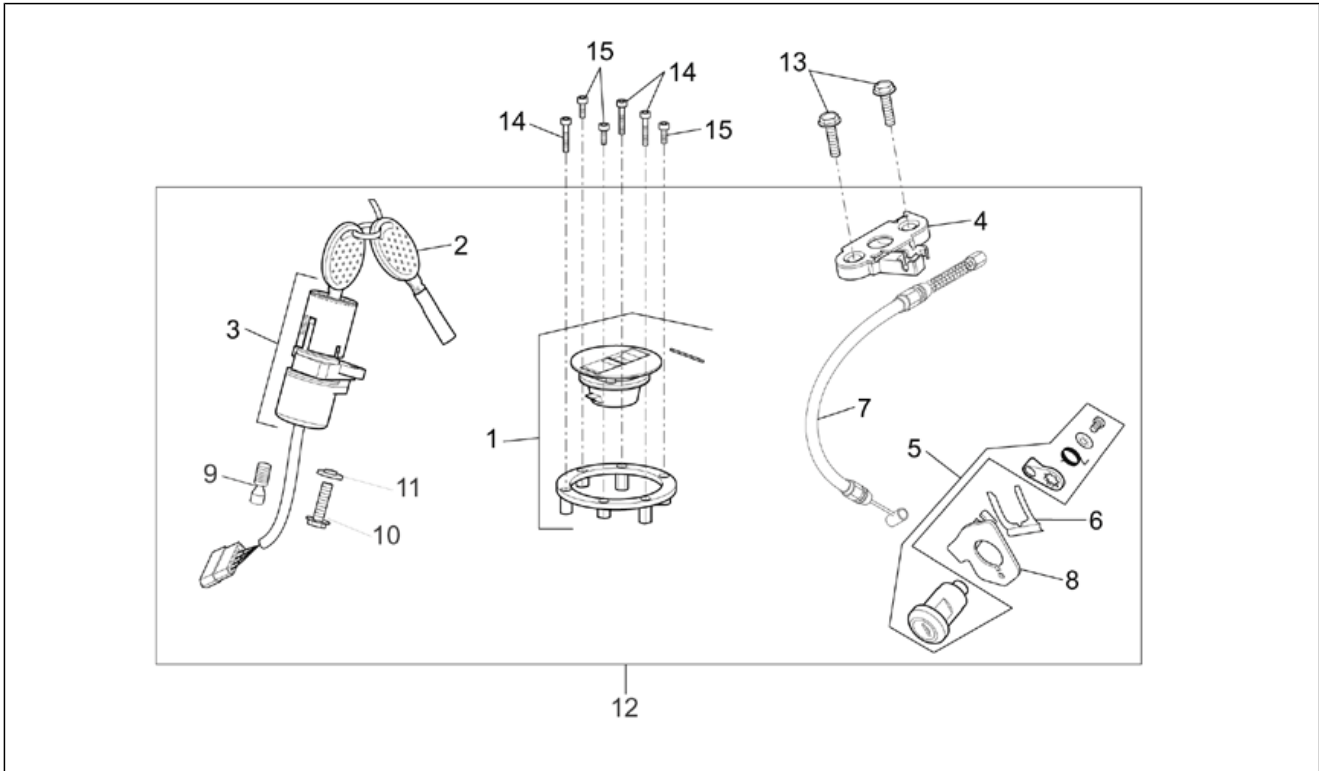
Pos.	Code	Description	Qty	Variants
1	AP8124691	Main wiring harness	1	
2	AP8124831	Voltage regulator	1	
3	AP8127336	Horn	1	
4	AP8124748	Battery YTX12-BS	1	
5	AP8134683	Bracket	1	
6	AP8144045	Battery support rubber	1	
7	AP8124636	Starter relay 12V/150A	1	
8	AP8124920	Speed sensor	1	
9	AP8112811	Rubber fuse box	1	
10	AP8124692	Fuse cable	1	
11	AP8124273	Fuse 30a	3	
12	AP8152298	Screw w/ flange M5x16	2	
13	AP8224393	Lamp WY5W 12V	1	
14	AP8127107	Starter motor wiring harness	1	
15	AP8150026	Nut M6	2	
16	AP8150429	Spring washer 6,4x11x0,5*	2	
17	AP8120750	O-ring 2037	1	
18	AP8152278	Screw w/ flange M6x16	1	
19	AP8152285	Screw w/ flange	1	
20	AP8120218	Terminal cap	2	
21	AP8127063	Plate light wiring	1	
22	AP8120531	Rubber w/ insert	2	

Group	FRAME
Code	28.45
Description	Rear electrical system
Service	1



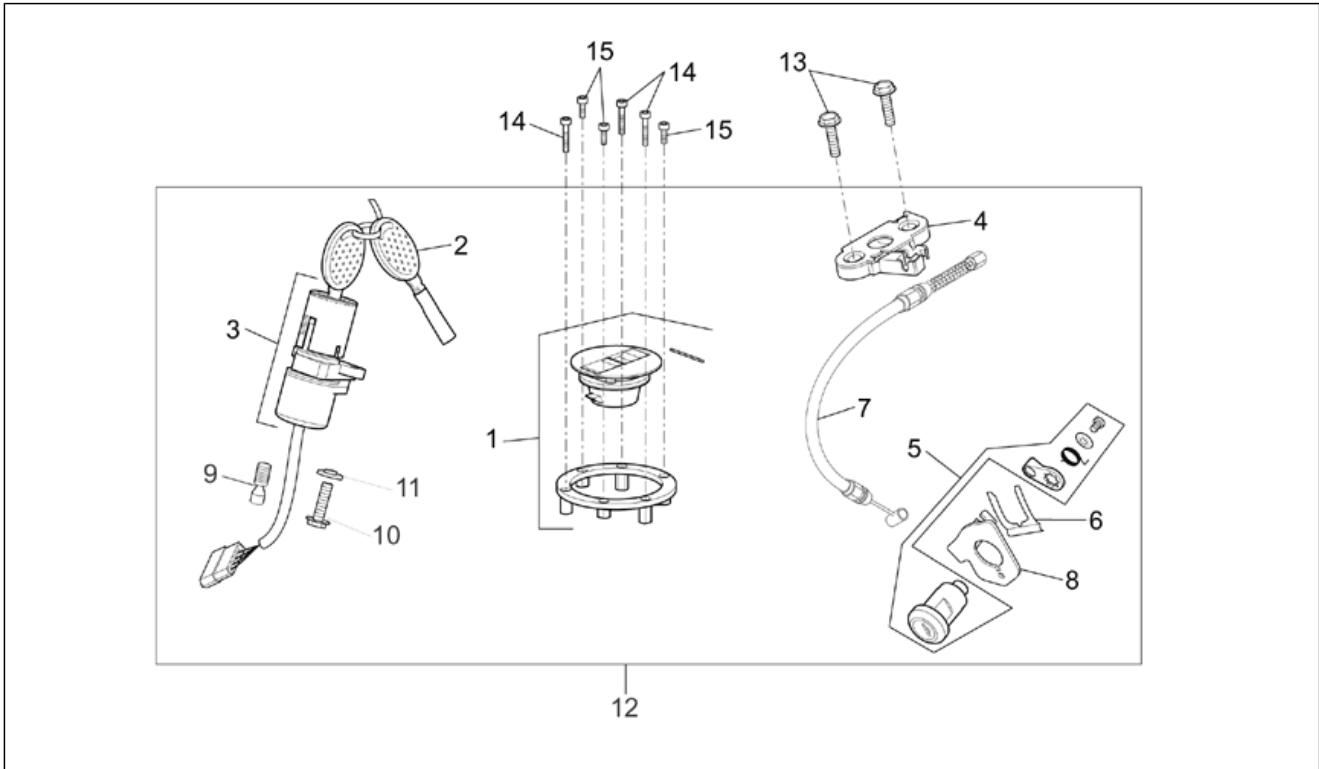
Pos.	Code	Description	Qty	Variants
1	AP8124690	Injection wiring	1	
2	AP8134653	Coil holder	4	
3	AP8124864	Coil	4	
4	AP8124999	HT wire	4	
5	AP8124289	Diodes	1	
6	AP8212469	Relay 12V/20A	2	
7	AP8220283	Rubber spacer *	3	
8	AP8124867	Air temp. Sensor	1	
9	AP0297942	Spark plug DCPR9E	4	
10	AP8124869	Injection relay	1	
11	AP8220546	Relay rubber	1	
12	AP8127275	ECU without mapping	1	
13	AP8212382	Diode	1	

Group	FRAME
Code	28.46
Description	Lock hardware kit
Service	1



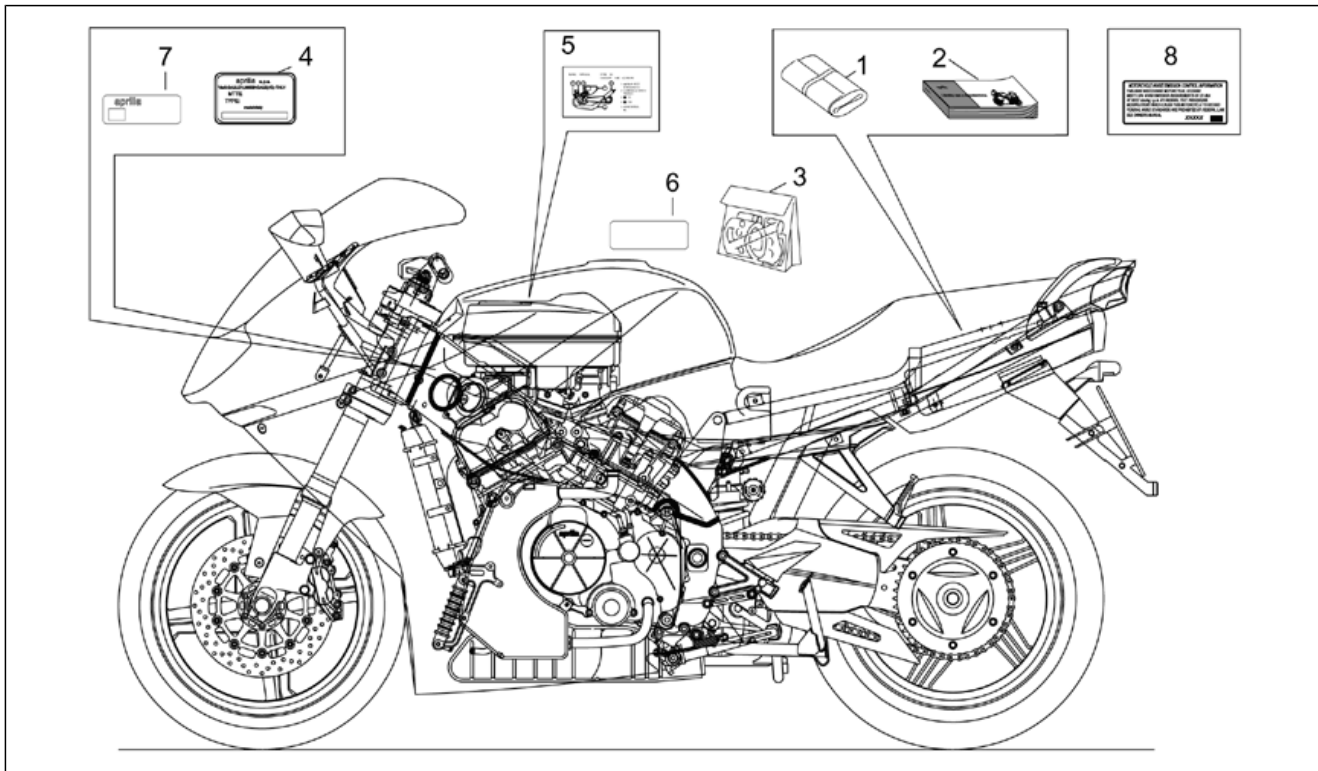
Pos.	Code	Description	Qty	Variants
1	AP8104528	Fuel filler cap	1	Country: USA (California Approval)[CF], United States of America[USA] Technical Specifications: California Approval[CAL]
1	AP8158164	Fuel filler cap	1	Country: Austria[A], Australia[AA], Australia[AUS], Belgium[B], Belgium[BB], Switzerland[CH], Germany[D], Denmark[DK], Spain[E], A, B, CH, D, DK, E, F, I, NL, P[EU], France[F], France[FF], Italy[I], Japan[J], Japan[JJ], Holland[NL], Portugal[P], Great Britain[UK]
1	AP8158164	Fuel filler cap	1	Country: USA (49 Countries Approval)[AM], United States of America[USA] Technical Specifications: 49 Countries Approval[49st]
2	AP8102880	Aprilia milled key	1	
3	AP8124895	Main switch - steering lock	1	
4	AP8102913	Pass.saddle connecting plate	1	
5	AP8104154	Saddle lock	1	
6	AP8121420	Fork spring	1	
7	AP8114441	Lock cable	1	
8	AP8134618	Cable fixing plate	1	
9	AP8150349	Special screw M8x15	1	
10	AP8152288	Screw w/ flange	1	
11	AP8121678	Bush	1	
12	AP8104046	Lock kit	1	Country: Austria[A], Australia[AA], Australia[AUS], Belgium[B], Belgium[BB], Switzerland[CH], Germany[D], Denmark[DK], Spain[E], A, B, CH, D, DK, E, F, I, NL, P[EU], France[F], France[FF], Italy[I], Japan[J], Japan[JJ], Holland[NL], Portugal[P], Great Britain[UK]
12	AP8104046	Lock kit	1	Country: USA (49 Countries Approval)[AM], United States of America[USA] Technical Specifications: 49 Countries Approval[49st]
12	AP8104275	Lock kit	1	Country: USA (California Approval)[CF], United States of America[USA] Technical Specifications: California Approval[CAL]

Group	FRAME
Code	28.46
Description	Lock hardware kit
Service	1



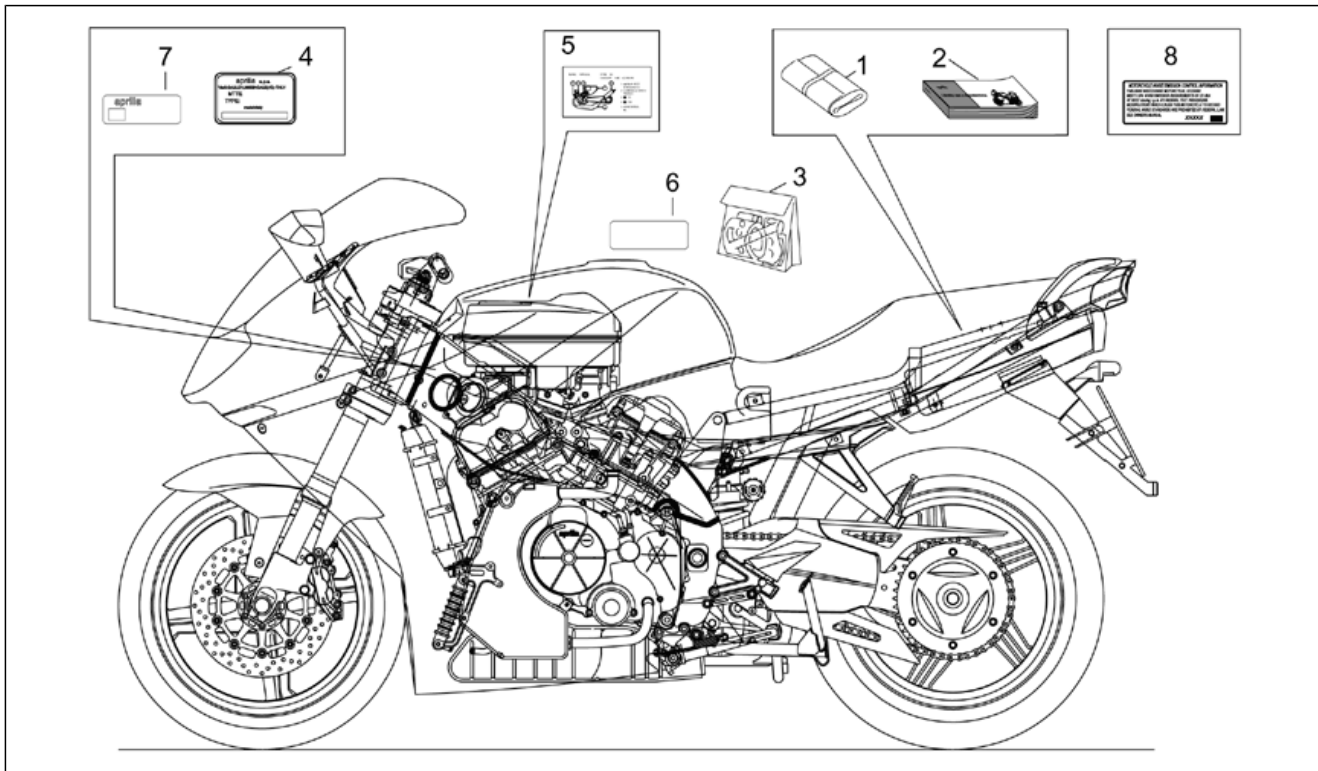
Pos.	Code	Description	Qty	Variants
13	AP8152280	Screw w/ flange M6x25	2	
14	AP8150453	Hex socket screw M5x30	3	
15	AP8150454	Hex socket screw M5x16	3	

Group	FRAME
Code	28.47
Description	Plate set-decal-op.handbooks
Service	1



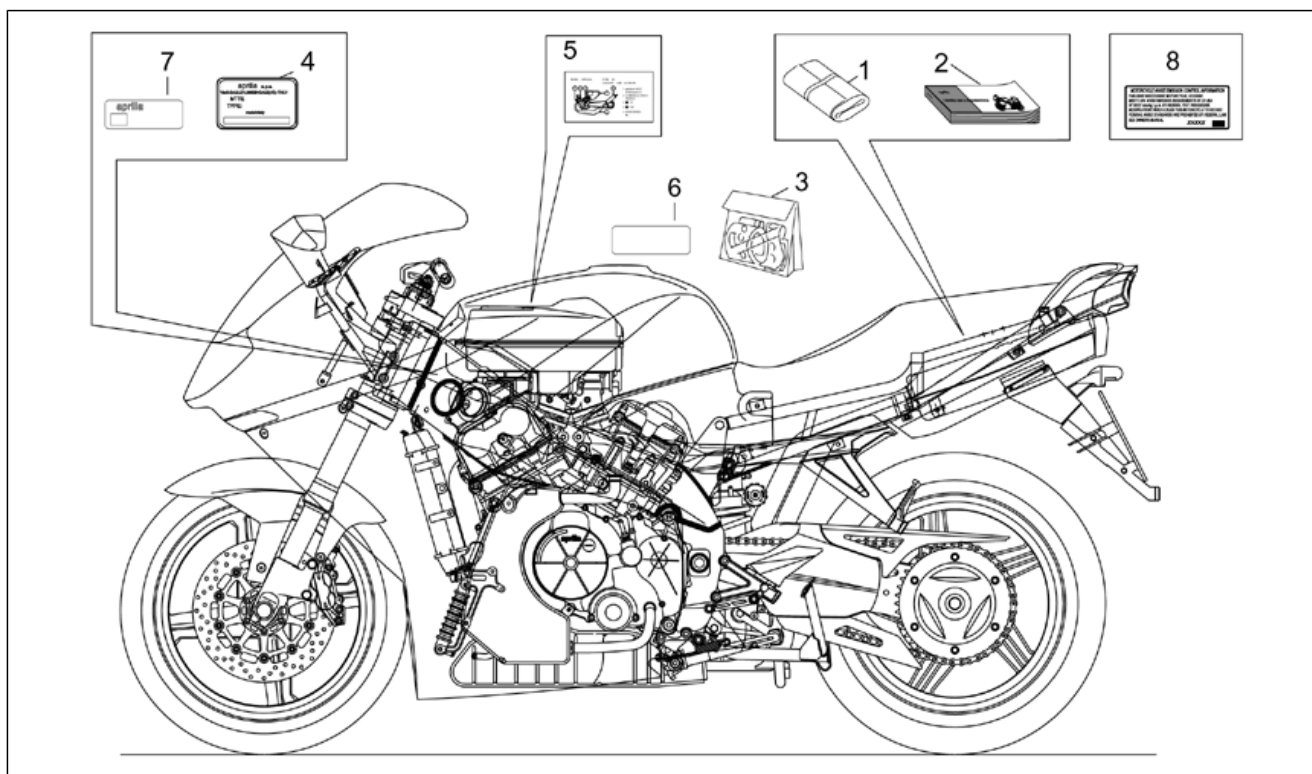
Pos.	Code	Description	Qty	Variants
1	AP8104180	Toolkit	1	
2	AP8102993	Operator's handbook I-F-D	1	Country: Austria[A], Belgium[B], Belgium[BB], Switzerland[CH], Germany[D], A, B, CH, D, DK, E, F, I, NL, P[EU], France[F], France[FF], Italy[I], Italy[II]
2	AP8104162	Operator's handbook NL-DK-GR	1	Country: Denmark[DK], A, B, CH, D, DK, E, F, I, NL, P[EU], Holland[NL]
2	AP8104163	Operator's handbook P-E-UK	1	Country: Spain[E], A, B, CH, D, DK, E, F, I, NL, P[EU], Portugal[P], Great Britain[UK]
2	AP8104303	Operator's handbook AUS	1	Country: Australia[AA], Australia[AUS]
2	AP8104322	Operator's handbook J	1	Country: Japan[J], Japan[JJ]
2	AP8104430	Operator's handbook -USA-	1	Country: USA (California Approval)[CF], United States of America[USA] Technical Specifications: California Approval[CAL]
2	AP8104430	Operator's handbook -USA-	1	Country: USA (49 Countries Approval)[AM], United States of America[USA] Technical Specifications: 49 Countries Approval[49st]
3	AP8167404	Decal set	1	Year: 2001[1], 2002[2] Vehicle colour: Stream silver 2001-2002[s.sil] Country: Austria[A], Australia[AA], Australia[AUS], Belgium[B], Belgium[BB], Switzerland[CH], Germany[D], Denmark[DK], Spain[E], A, B, CH, D, DK, E, F, I, NL, P[EU], France[F], France[FF], Italy[I], Japan[J], Japan[JJ], Holland[NL], Portugal[P], Great Britain[UK]
3	AP8167405	Decal set	1	Year: 2001[1], 2002[2] Vehicle colour: Flame Red 2001-2002[f.red] Country: Austria[A], Australia[AA], Australia[AUS], Belgium[B], Belgium[BB], Switzerland[CH], Germany[D], Denmark[DK], Spain[E], A, B, CH, D, DK, E, F, I, NL, P[EU], France[F], France[FF], Italy[I], Japan[J], Japan[JJ], Holland[NL], Portugal[P], Great Britain[UK]
3	AP8167406	Decal set	1	Year: 2001[1], 2002[2] Vehicle colour: Infinity Blue 2001-2002[l.blu] Country: Austria[A], Australia[AA], Australia[AUS], Belgium[B], Belgium[BB], Switzerland[CH], Germany[D],

Group	FRAME
Code	28.47
Description	Plate set-decal-op.handbooks
Service	1



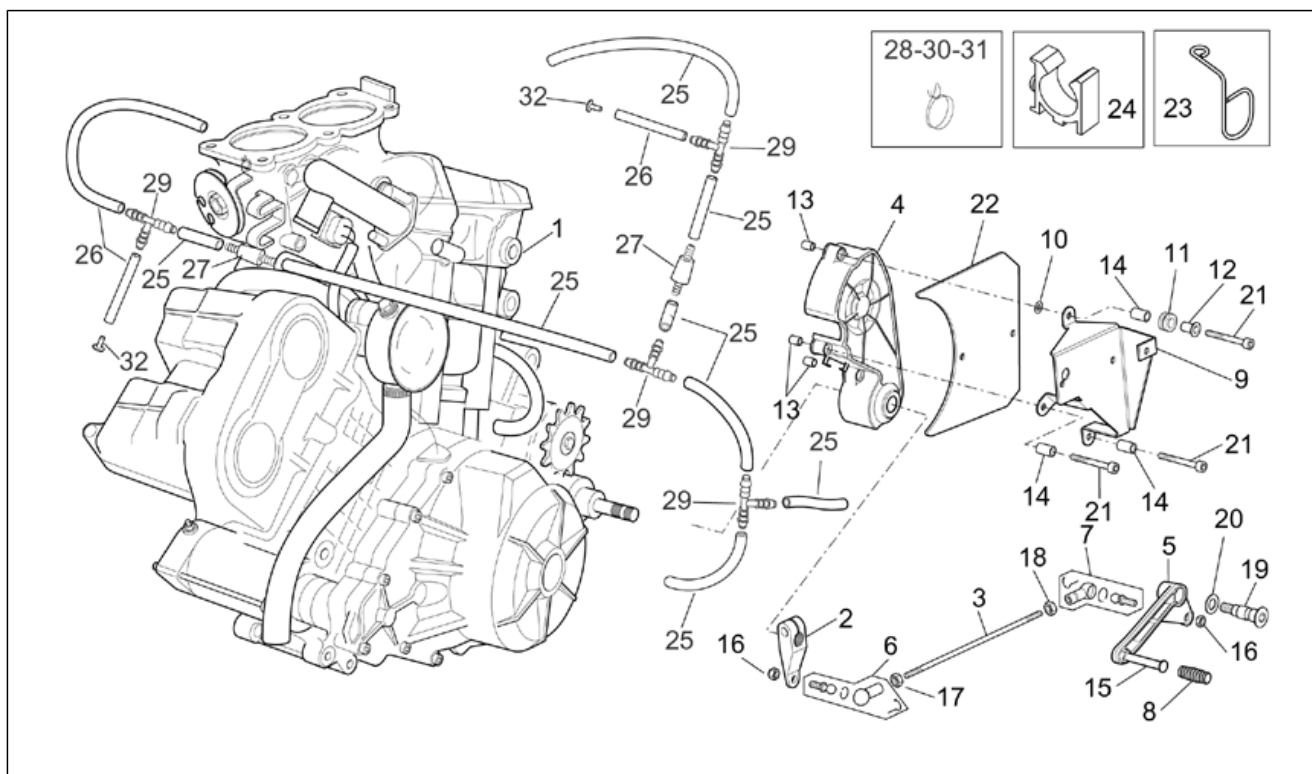
Pos.	Code	Description	Qty	Variants
				Denmark[DK], Spain[E], A, B, CH, D, DK, E, F, I, NL, P[EU], France[F], France[FF], Italy[I], Japan[J], Japan[JJ], Holland[NL], Portugal[P], Great Britain[UK]
3	AP8167514	Decal set	1	Year: 2001[1], 2002[2] Vehicle colour: Stream silver 2001-2002[s.sil] Country: USA (49 Countries Approval)[AM], USA (California Approval)[CF], United States of America[USA]
3	AP8167926	Decal set	1	Year: 2001[1], 2002[2] Vehicle colour: Flame Red 2001-2002[f.red] Country: USA (49 Countries Approval)[AM], USA (California Approval)[CF], United States of America[USA]
3	AP8167927	Decal set	1	Year: 2001[1], 2002[2] Vehicle colour: Infinity Blue 2001-2002[i.blu] Country: USA (49 Countries Approval)[AM], USA (California Approval)[CF], United States of America[USA]
3	AP8167959	Decal set	1	Year: 2002[2] Vehicle colour: Ash greu 2002[ash.g] Country: Austria[A], Australia[AA], Australia[AUS], Belgium[B], Belgium[BB], Switzerland[CH], Germany[D], Denmark[DK], Spain[E], A, B, CH, D, DK, E, F, I, NL, P[EU], France[F], France[FF], Italy[I], Japan[J], Japan[JJ], Holland[NL], Portugal[P], Great Britain[UK]
3	AP8167960	Decal set	1	Year: 2002[2] Vehicle colour: Ash greu 2002[ash.g] Country: USA (49 Countries Approval)[AM], USA (California Approval)[CF], United States of America[USA]
3	AP8177665	Decal set	1	Year: 2003[3] Vehicle colour: Darkness Black 2003[d.black]
3	AP8177666	Decal set	1	Year: 2003[3] Vehicle colour: Hilton Blue 2003[h.blu]
4	AP8157812	Constructor dataplate	1	Country: France[F], France[FF] Technical Specifications: Full Power Version[f.p.]
4	AP8167407	Constructor dataplate	1	Country: Belgium[B], Belgium[BB] Technical Specifications: Full Power Version[f.p.]

Group	FRAME
Code	28.47
Description	Plate set-decal-op.handbooks
Service	1



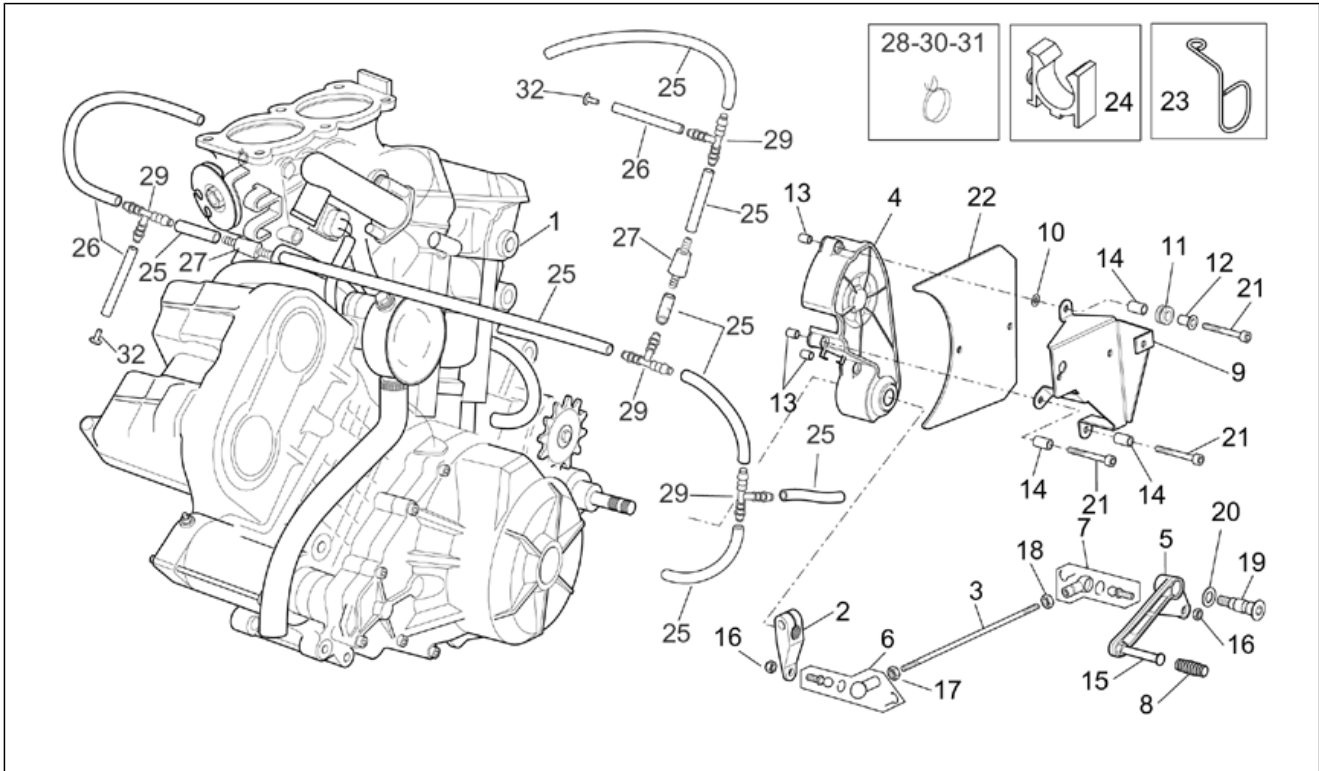
Pos.	Code	Description	Qty	Variants
4	AP8167407	Constructor dataplate	1	Country: Austria[A], Switzerland[CH], Germany[D], Denmark[DK], Spain[E], Italy[I], Japan[J], Japan[J], Holland[NL], Portugal[P], Great Britain[UK]
4	AP8167408	Constructor dataplate	1	Country: Belgium[B], Belgium[BB] Technical Specifications: 72 Kw power version[72kw]
4	AP8167409	Constructor dataplate	1	Country: Belgium[B], A, B, CH, D, DK, E, F, I, NL, P[EU] Technical Specifications: 78 Kw power version[78kw]
4	AP8167409	Constructor dataplate	1	Country: France[F], France[FF] Technical Specifications: 78 Kw power version[78kw]
4	AP8167453	Constructor dataplate	1	Year: 2001[1], 2002[2] Country: Australia[AA], Australia[AUS]
4	AP8167513	Constructor dataplate	1	Country: USA (49 Countries Approval)[AM], USA (California Approval)[CF], United States of America[USA]
4	AP8177797	Constructor dataplate	1	Year: 2003[3] Country: Australia[AA], Australia[AUS]
5	AP8157650	Tamperproof dataplate	1	Country: France[F], France[FF]
6	AP8167598	Spark plug name plate	4	Country: Italy[I]
6	AP8167604	Spark plug name plate	4	Country: Australia[AA], USA (49 Countries Approval) [AM], Australia[AUS], USA (California Approval)[CF], Great Britain[UK], United States of America[USA]
7	AP8167410	ECE dataplate	1	Country: Australia[AA], Australia[AUS], Japan[J], Japan[J]
8	AP8167454	Noise emission sticker	1	Year: 2001[1], 2002[2] Country: Australia[AA], Australia[AUS]
8	AP8177798	Noise emission sticker	1	Year: 2003[3] Country: Australia[AA], Australia[AUS]

Group	ENGINE
Code	29.36
Description	Engine
Service	1



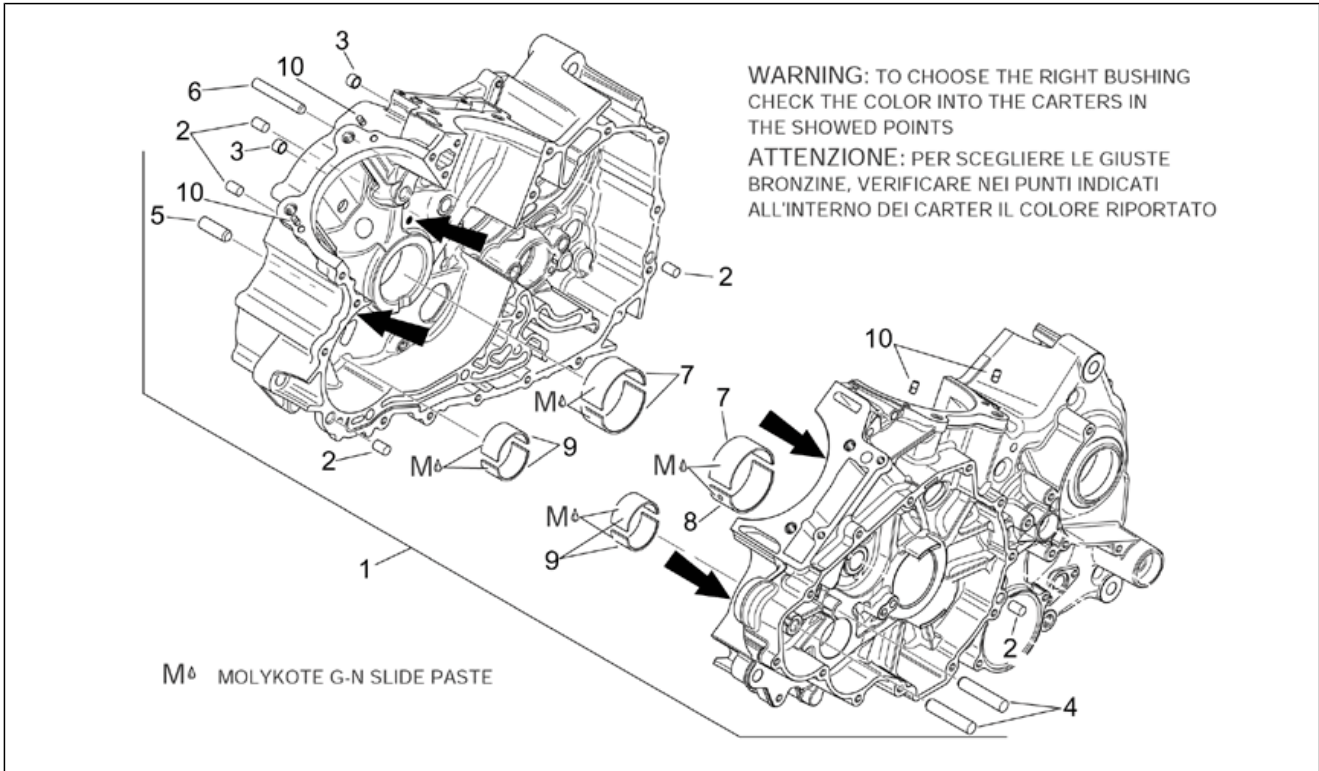
Pos.	Code	Description	Qty	Variants
1	AP8106919	Engine	1	
2	AP8121354	Gearbox connecting rod	1	
3	AP8121435	Gearbox linkage rod	1	
4	AP8106375	Sprocket cover, alum. 180	1	
5	AP8106747	Gear lever	1	
6	AP8110053	Left ball joint M6	1	
7	AP8210007	RH ball joint M6	1	
8	AP8120912	Lever rubber	1	
9	AP8134687	LH fairing fixing plate	1	
10	AP8152181	Washer 6,4x15x1	3	
11	AP8120405	Rubber spacer	3	
12	AP8121795	T bush	3	
13	AP8221046	Spacer D6x8x13,5*	3	
14	AP8121020	Spacer 6,5x10x19*	3	
15	AP8121434	Brake lever pin	1	
16	AP8150026	Nut M6	2	
17	AP8152138	Nut	1	
18	AP8150430	Low self-locking nut	1	
19	AP8121223	Rear brake lever pin	1	
20	AP8150020	Washer 10,5x21x2*	1	
21	AP8150045	Hex socket screw M6x55	3	
22	AP8134798	plate	1	
23	AP8221172	Cable-guide	1	
24	AP8201808	Cable-guide D8	2	
25	AP8144015	Oil pipe 6x12	1	
26	AP8144038	Fuel pipe 6x10	1	
27	AP8104251	Oil breather valve	2	
28	AP8120446	Hose clip, green D11x6,6x1	12	

Group	ENGINE
Code	29.36
Description	Engine
Service	1



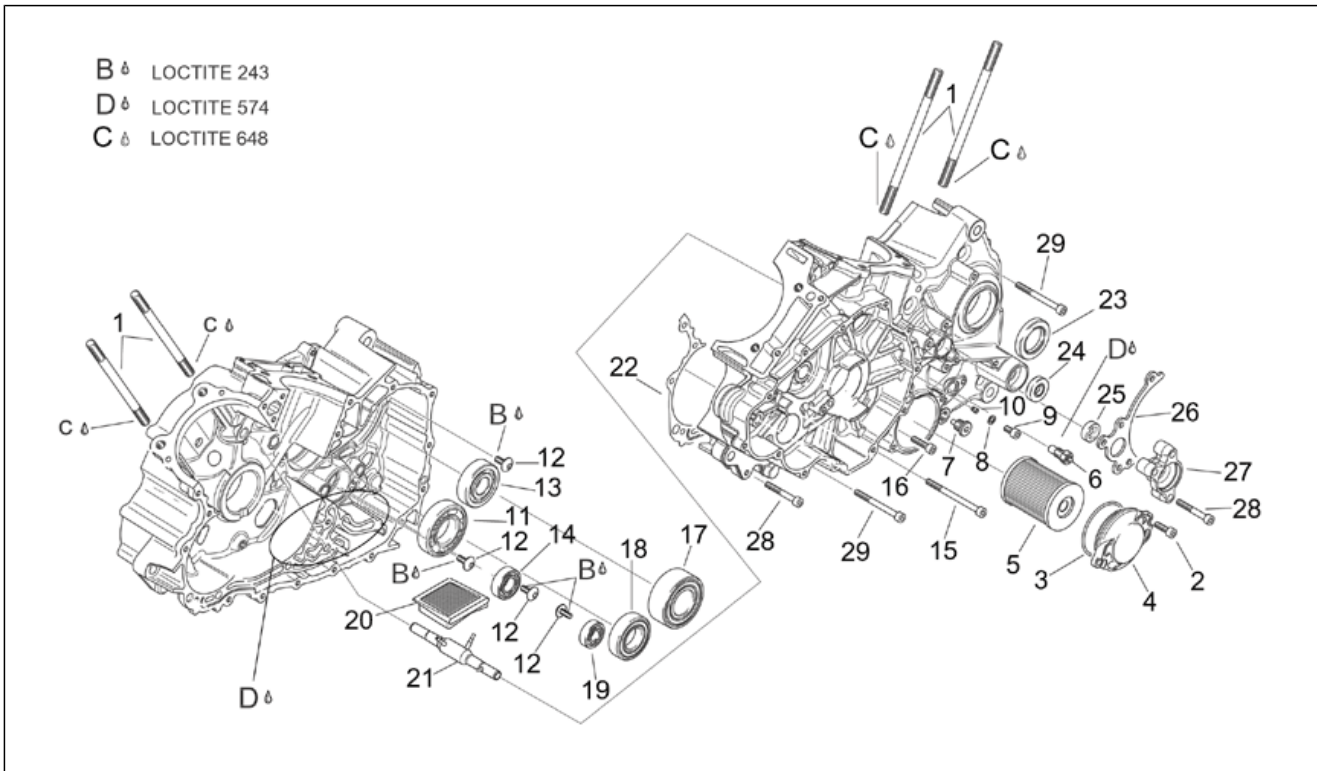
Pos.	Code	Description	Qty	Variants
29	AP8144303	3-way union	4	
30	AP8101595	Hose clamp D10,1	4	
31	AP8102377	Hose clamp D9,1*	2	
32	AP8120876	Plug	2	

Group	ENGINE
Code	29.48
Description	Crankcases I
Service	1



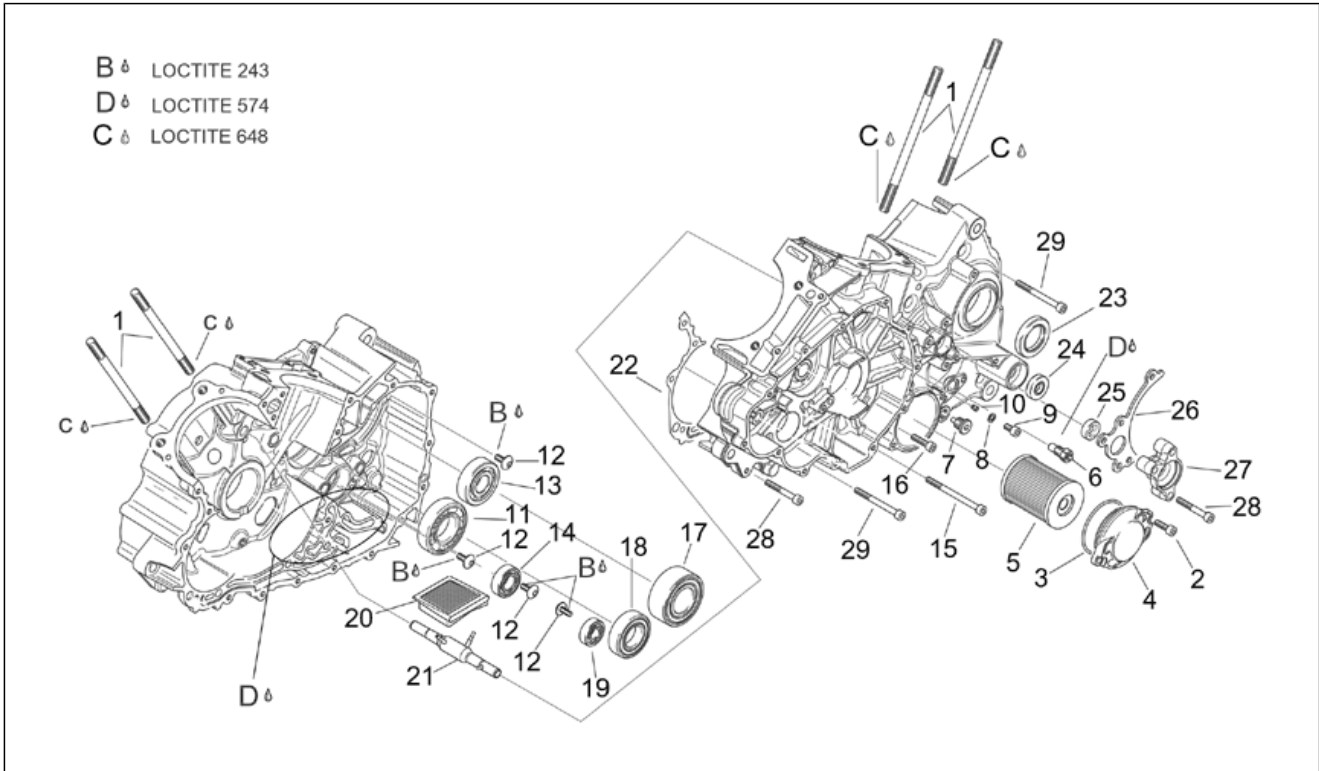
Pos.	Code	Description	Qty	Variants
1	AP0296961	Crankcase assy	1	
2	AP0632010	Pin M8x12	5	
3	AP0929500	Pin 10x8	2	
4	AP0229301	Pin M6x50	2	
5	AP0929930	Pin	1	
6	AP0229385	Pin	1	
7	AP0233745	Bushing half-shell, blue	3	
7	AP0233746	Bushing half-shell, red	3	
7	AP0233748	Bushing half-shell, yellow	3	
8	AP0233740	Bushing half-shell, blue	1	
8	AP0233741	Bushing half-shell, red	1	
8	AP0233743	Bushing half-shell, yellow	1	
9	AP0233711	Bushing half-shell, blue	4	
9	AP0233820	Bushing half-shell, red	4	
9	AP0233822	Bushing half-shell, yellow	4	
10	AP0929650	Pin 5x10	4	

Group	ENGINE
Code	29.49
Description	Crankcases II
Service	1



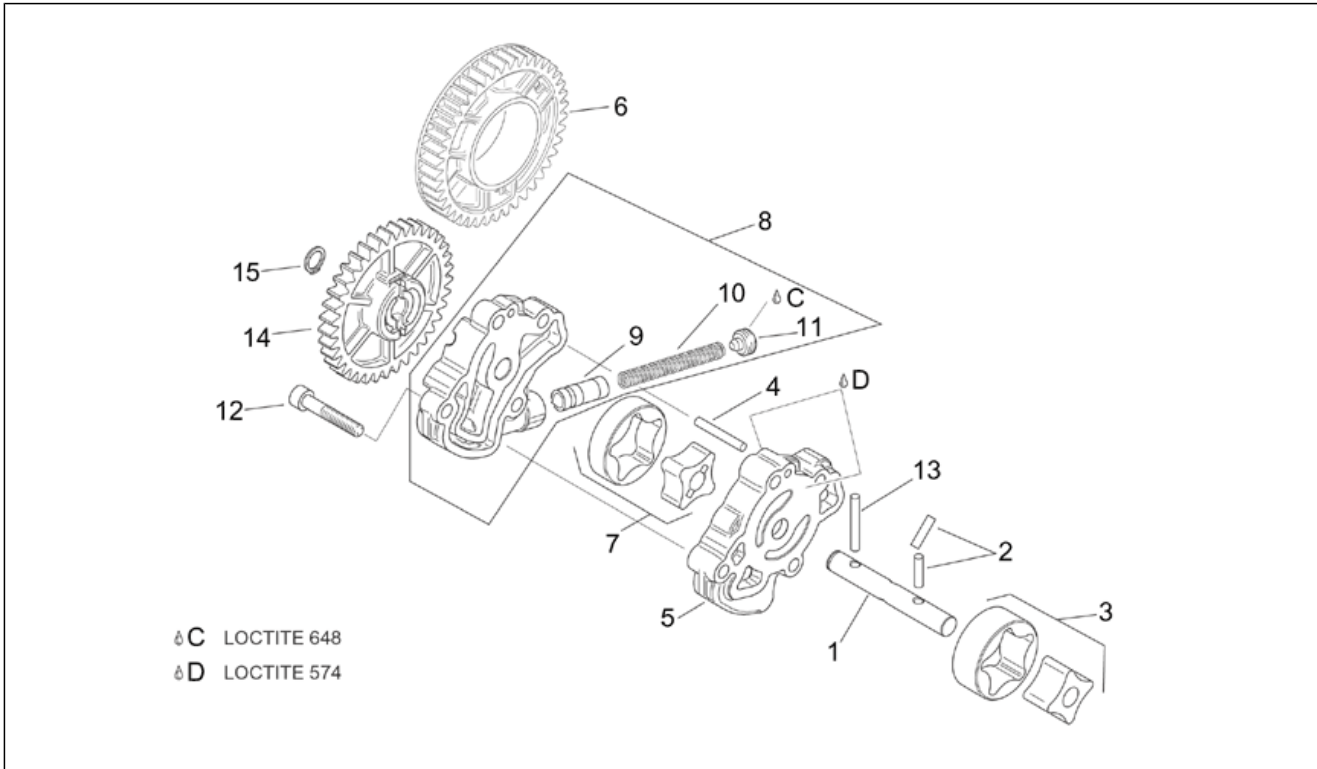
Pos.	Code	Description	Qty	Variants
1	AP0241580	Stud bolt m10x171	8	
2	AP0241932	Hex socket screw	2	
3	AP0650500	O-ring 59,52x2,62	1	
4	AP0210415	Oil filter cover	1	
4	AP0210416	Oil filter cover grey	1	
5	AP0256187	Oil filter	1	
6	AP0241854	Neutral indicator switch	1	
7	AP0241782	Magnetic drain plug M12x1,5	1	
8	AP0230415	Gasket ring 6x10	1	
9	AP0241081	Hex socket screw M6x10	1	
10	AP0268740	Jet 60	1	
11	AP0932585	Ball bearing 6206	1	
12	AP0241531	Short head screw	4	
13	AP0832144	Ball bearing 6304	1	
14	AP0232625	Bearing 6003	1	
15	AP0241501	Hex socket screw M6x80	1	
16	AP0840861	Hex socket screw M6x25	1	
17	AP0632124	Angular bearing 3206	1	
18	AP0932428	Ball bearing 6205	1	
19	AP0932335	Ball bearing 16101	1	
20	AP0256497	Oil strainer	1	
21	AP0256526	Oil sprayer pipe	1	
22	AP0650335	Gasket	1	
23	AP0850050	Oil seal 40x47x7,5	1	
24	AP0250450	Oil seal 12x28x7	1	
25	AP0650320	Oil seal 11x22x7	1	
26	AP0236370	Chain guide	1	
27	AP0259500	Clutch disengagement flange	1	

Group	ENGINE
Code	29.49
Description	Crankcases II
Service	1



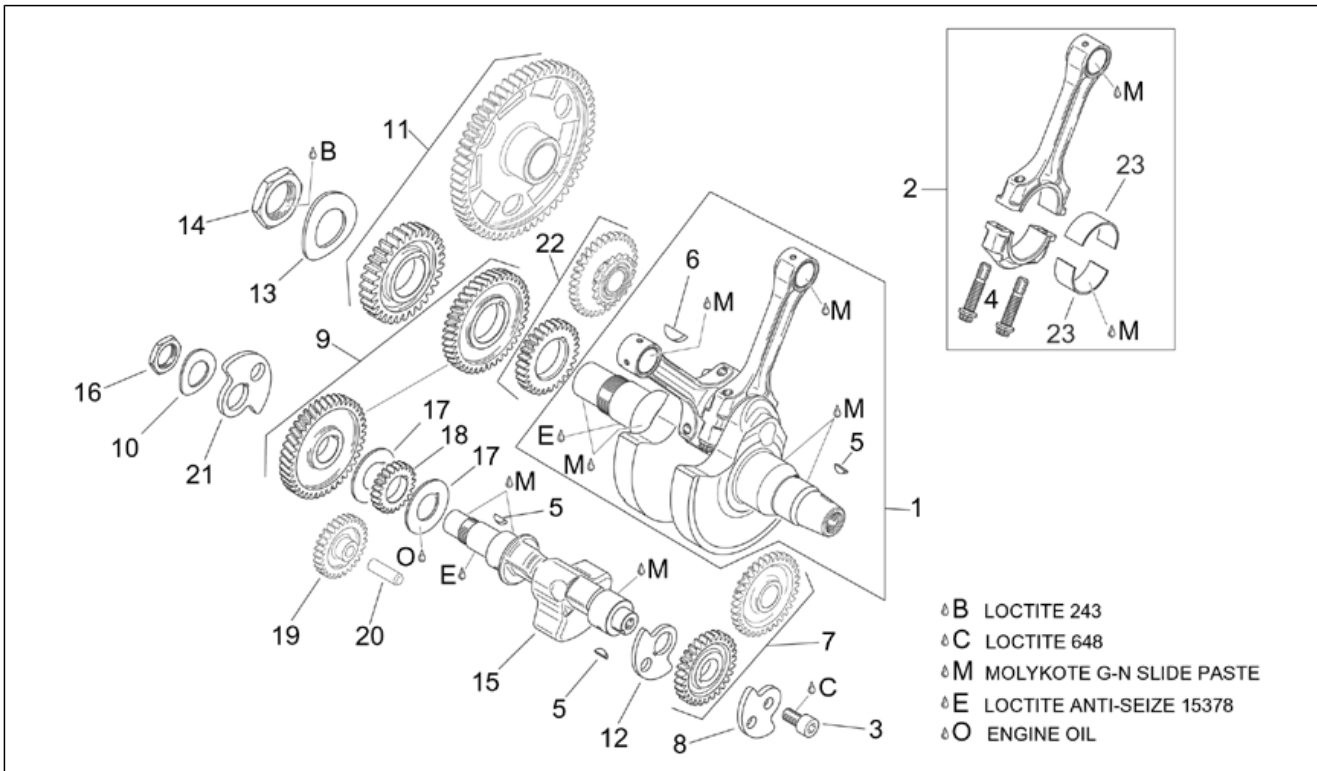
Pos.	Code	Description	Qty	Variants
28	AP0241821	Hex socket screw M6x45	8	
29	AP0241261	Hex socket screw	13	

Group	ENGINE
Code	29.50
Description	Oil pump
Service	1



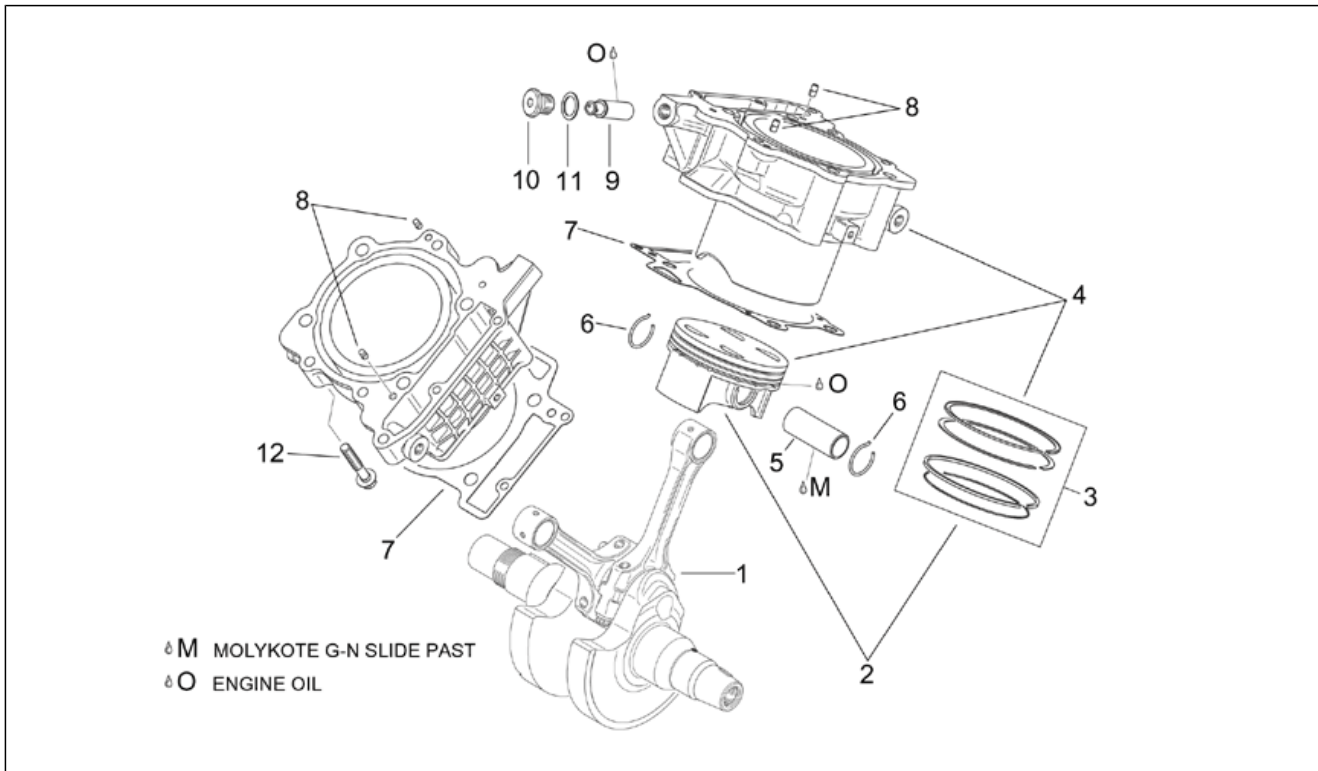
Pos.	Code	Description	Qty	Variants
1	AP0220423	Oil pump shaft assy.	1	
2	AP0232730	Pin 4x15,8	2	
3	AP0256680	Internal and external rotor	1	
4	AP0232970	Pin 4x25,8	1	
5	AP0211620	Oil pressing pump casing	1	
6	AP0634470	Oil pump gear z=42	1	
7	AP0956275	Internal and external rotor	1	
8	AP0211631	Oil pump cover cpl.	1	
9	AP0256510	Pressure adj. piston	1	
10	AP0239447	Spring	1	
11	AP0241650	Valve closer screw m12x1,5	1	
12	AP0241821	Hex socket screw M6x45	4	
13	AP0232430	Pin	1	
14	AP0634483	Oil pump gear	1	
15	AP0245330	Circlip 10x1	1	

Group	ENGINE
Code	29.51
Description	Drive shaft
Service	1



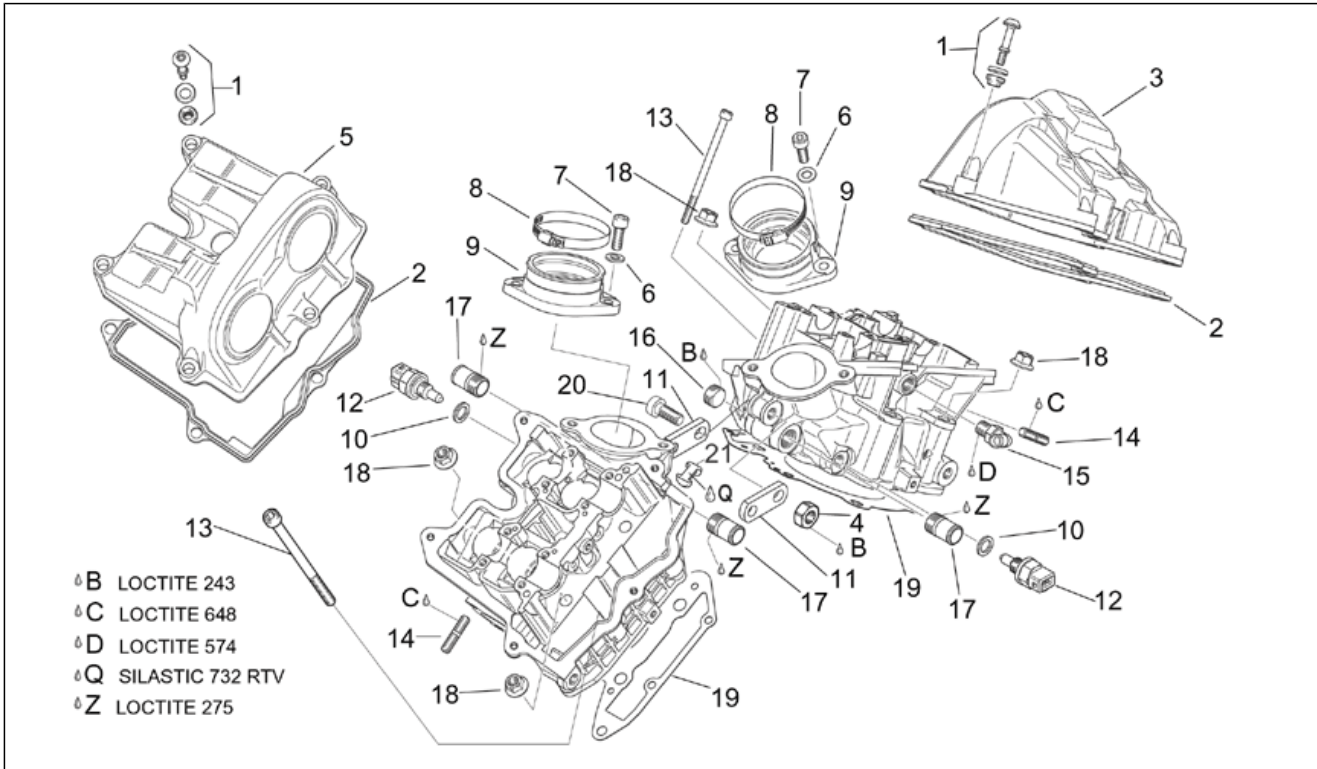
Pos.	Code	Description	Qty	Variants
1	AP0295662	Crankshaft cpl.	1	
2	AP0217346	Connecting rod cpl.	2	
3	AP0440260	Hex socket screw	1	
4	AP0640400	Connecting rod screw	4	
5	AP0246570	Transmission key 4x5	3	
6	AP0946015	Transmission key 6x9	1	
7	AP0295765	Timing system gear cpl.	1	
8	AP0219365	Ext.wheel side counterweight	1	
9	AP0295770	Balance shaft gear cpl.	1	
10	AP0245860	Spring washer	1	
11	AP0295780	Primary drive gear	1	
12	AP0219360	Int.wheel side counterweight	1	
13	AP0245840	Spring washer	1	
14	AP0242940	Nut m33x1,5	1	
15	AP0220372	Lower balance shaft	1	
16	AP0242874	Nut	1	
17	AP0627200	Washer 24x54x2	2	
18	AP0634610	Water pump gear	1	
19	AP0634500	Idle gear	1	
20	AP0929930	Pin	1	
21	AP0219350	Clutch side counterweight	1	
22	AP0295760	Timing system gear cpl.	1	
23	AP0233721	Bushing,red 42x45x19	2	
23	AP0233722	Bushing,blue 42x45x19	2	
23	AP0233723	Bushing,yellow 42x45x19	2	

Group	ENGINE
Code	29.52
Description	Cylinder - Piston
Service	1



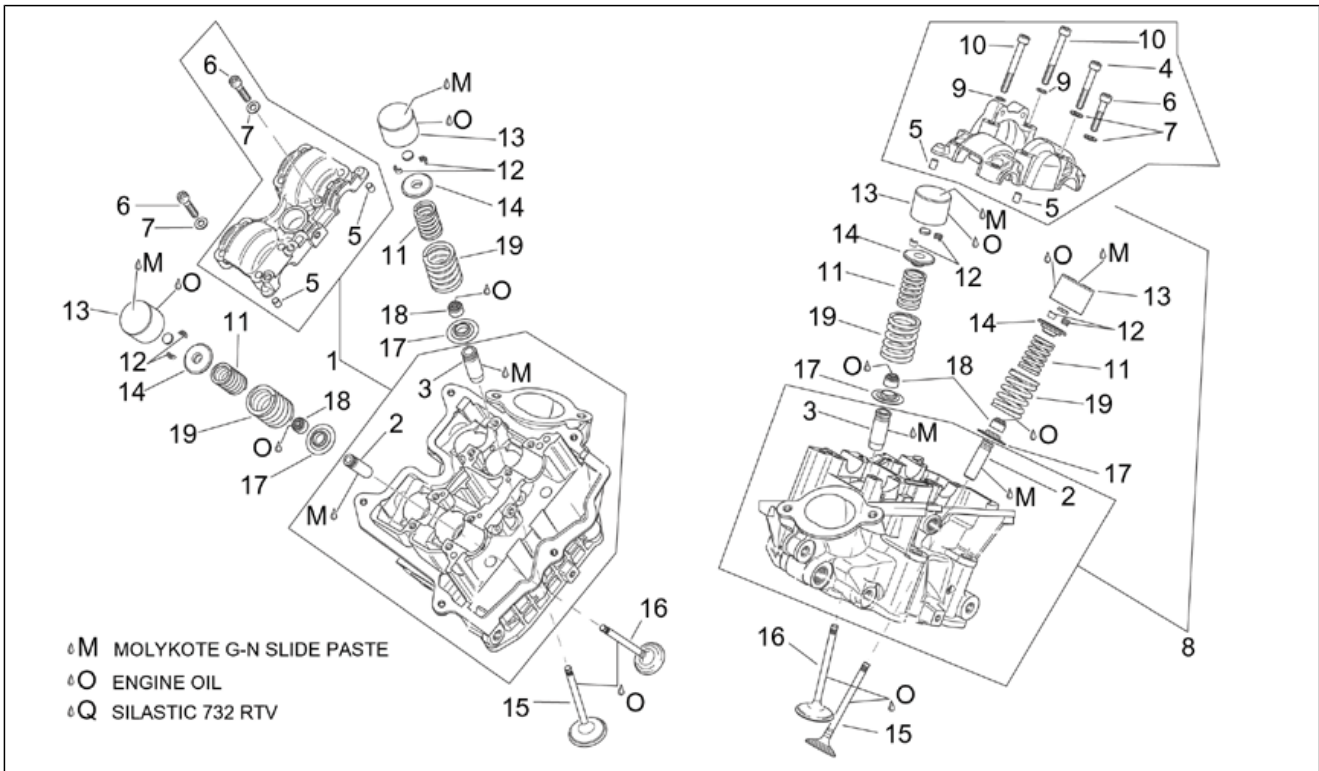
Pos.	Code	Description	Qty	Variants
1	AP0295662	Crankshaft cpl.	1	
2	AP0684310	Piston assy 96,944 mm (A)	2	
2	AP0684311	Piston assy 96,956 mm (B)	2	
3	AP0295858	Piston ring set	2	
4	AP0613417	Cylinder with piston, grey	2	
4	AP0613418	Cylinder with piston	2	
5	AP0216222	Piston pin 22x14x55	2	
6	AP0245436	Stop ring 22	4	
7	AP0650390	Cylinder base gasket	2	
8	AP0929650	Pin 5x10	4	
9	AP0236252	Chain tensioner assy.	2	
10	AP0640450	Cover	2	
11	AP0430622	Gasket ring 16x22	2	
12	AP0940637	Screw w/ flange	8	

Group	ENGINE
Code	29.53
Description	Valves cover
Service	1



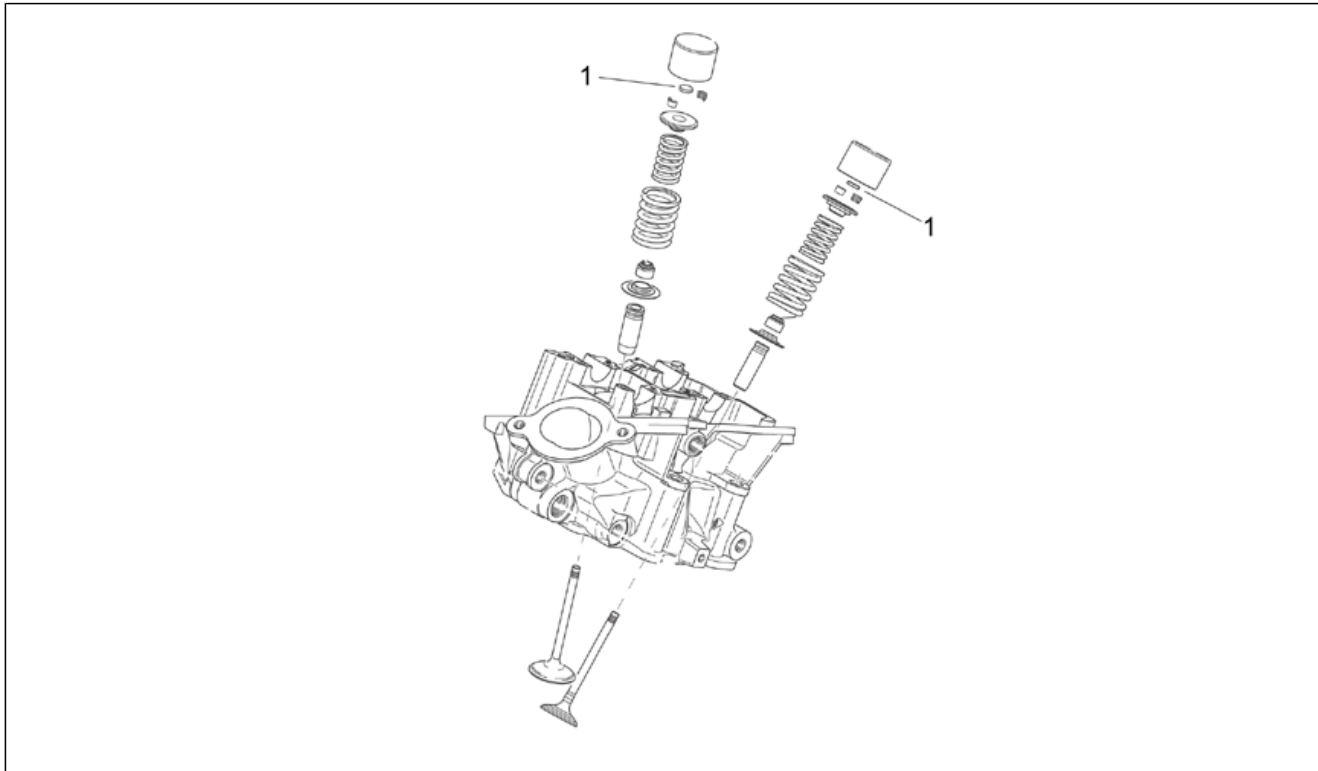
Pos.	Code	Description	Qty	Variants
1	AP0241625	Spacer screw cpl.	10	
2	AP0650345	Valve cover gasket	2	
3	AP0211667	Rear valves cover	1	
3	AP0211668	Rear valves cover, grey	1	
4	AP0242091	Nut	2	
5	AP0211662	Front valves cover	1	
5	AP0211663	Front valves cover, grey	1	
6	AP0250311	Washer 8,4	4	
7	AP0240081	Hex socket screw M8x25	4	
8	AP0251830	Hose clamp 65	2	
9	AP0267150	Intake flange	2	
10	AP0250640	Gasket ring 12x18	2	
11	AP0251100	Plate	2	
12	AP8124868	Temp. Sensor	2	
13	AP0241601	Hex socket screw	4	
14	AP0241560	Stud bolt	6	
15	AP0922245	Angular union	1	
16	AP0240170	Cover m18x1,5	1	
17	AP0224090	pipe	3	
18	AP0242851	Nut	8	
19	AP0650210	Cylinder head gasket	2	
20	AP0640581	Hex socket screw M10x40	2	
21	AP0660010	Cover	1	

Group	ENGINE
Code	29.54
Description	Cylinder head and valves
Service	1



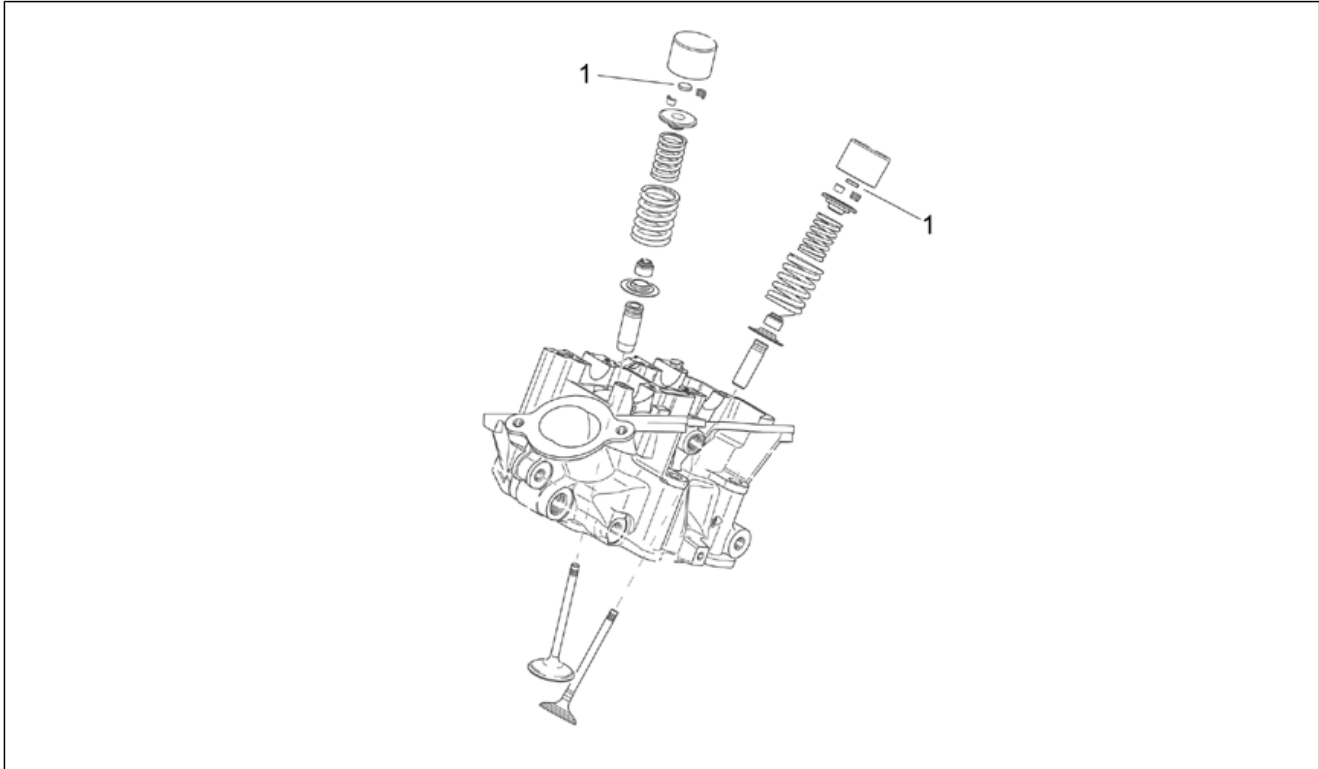
Pos.	Code	Description	Qty	Variants
1	AP0613405	Front cylinder head cpl.	1	
1	AP0613406	Front cylinder head cpl.grey	1	
2	AP0253926	Exhaust valve guide	4	
3	AP0253921	Intake valve guide	4	
4	AP0241821	Hex socket screw M6x45	2	
5	AP0232210	Pin 6x8	2	
6	AP0840880	Hex socket screw M6x30	8	
7	AP0927945	Washer 6,2x12x1	8	
8	AP0613407	Rear cylinder head cpl.	1	
8	AP0613408	Rear cylinder head cpl.grey	1	
9	AP0927863	Washer 6,1x9,8x1	2	
10	AP0240331	Hex socket screw	2	
11	AP0239510	Int. valve spring	8	
12	AP0253645	Valve half-cone	16	
13	AP0253990	Valve lifter bucket	8	
14	AP0253956	Valve spring plate	8	
15	AP0254021	Exhaust valve 31mm	4	
16	AP0254011	Intake valve 36 mm	4	
17	AP0253965	Valve spring plate	8	
18	AP0230510	Valve stem seal	8	
19	AP0239520	Ext. valve spring	8	

Group	ENGINE
Code	29.55
Description	Valves pads
Service	1



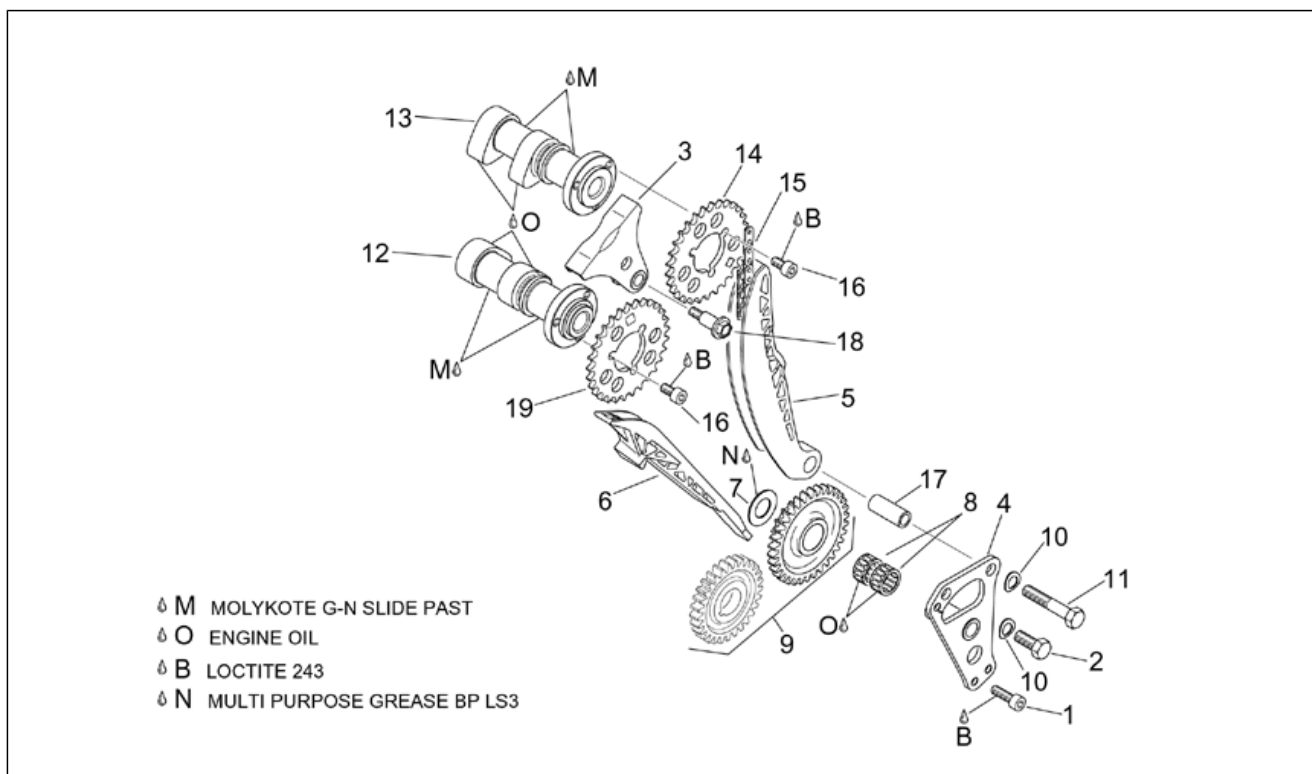
Pos.	Code	Description	Qty	Variants
1	AP0253974	Pad 2,3	1	
1	AP0253975	Pad 2,35	1	
1	AP0253976	Pad 2,4	1	
1	AP0253977	Pad 2,45	1	
1	AP0253978	Pad 2,5	1	
1	AP0253979	Pad 2,55	1	
1	AP0253980	Pad 2,6	1	
1	AP0253981	Pad 2,65	1	
1	AP0253982	Pad 2,7	1	
1	AP0253983	Pad 2,75	1	
1	AP0253984	Pad 2,8	1	
1	AP0253985	Pad 2,85	1	
1	AP0253986	Pad 2,9	1	
1	AP0253987	Pad 2,95	1	
1	AP0253988	Pad 3,00	1	
1	AP0254030	Pad 2,325	1	
1	AP0254031	Pad 2,375	1	
1	AP0254032	Pad 2,425	1	
1	AP0254033	Pad 2,475	1	
1	AP0254034	Pad 2,525	1	
1	AP0254035	Pad 2,575	1	
1	AP0254036	Pad 2,625	1	
1	AP0254037	Pad 2,675	1	
1	AP0254038	Pad 2,725	1	
1	AP0254039	Pad 2,775	1	
1	AP0254040	Pad 2,825	1	
1	AP0254041	Pad 2,875	1	
1	AP0254042	Pad 2,925	1	

Group	ENGINE
Code	29.55
Description	Valves pads
Service	1



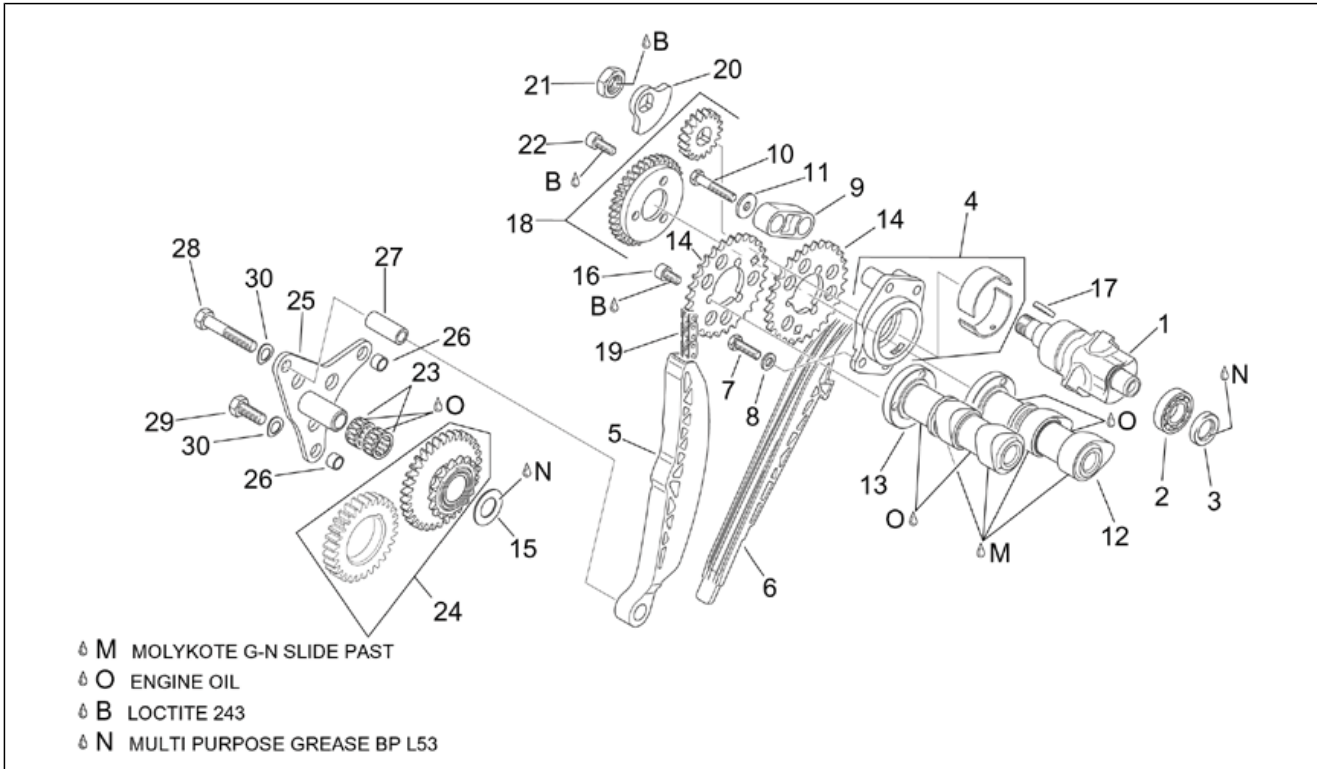
Pos.	Code	Description	Qty	Variants
1	AP0254043	Pad 2,975	1	

Group	ENGINE
Code	29.56
Description	Front cylinder timing system
Service	1



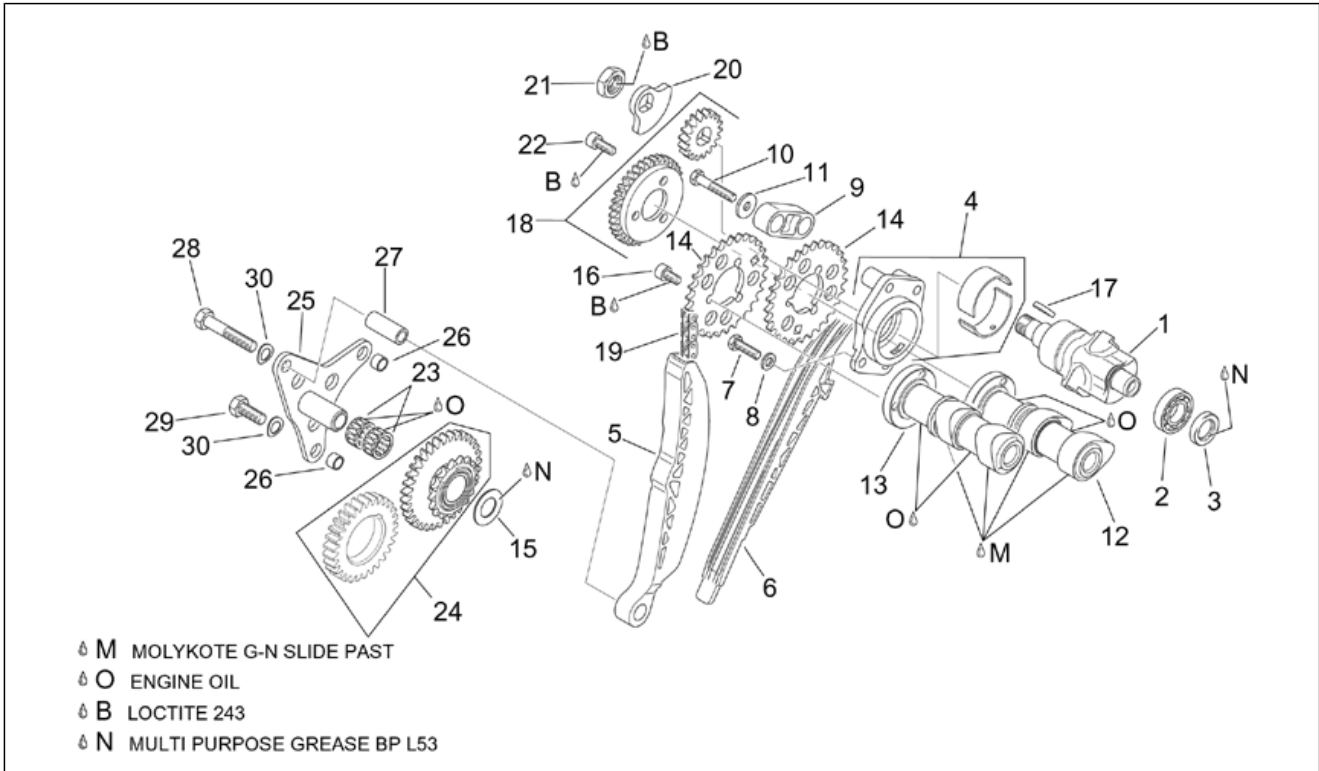
Pos.	Code	Description	Qty	Variants
1	AP0240400	Hex socket screw	1	
2	AP0940590	Hex screw M8x20	1	
3	AP0236320	Chain guide	1	
4	AP0211766	Bearings support Plate	1	
5	AP0236300	Chain guide	1	
6	AP0236310	Chain guide	1	
7	AP0627190	Washer 16,7x29x1	1	
8	AP0632161	Roller cage 16x22x10	2	
9	AP0295765	Timing system gear cpl.	1	
10	AP0845030	Spring washer b8	2	
11	AP0940631	Hex screw	1	
12	AP0220385	Exhaust camshaft	1	
13	AP0220380	Intake camshaft	1	
14	AP0634730	Timing system gear	3	
15	AP0297955	Camshaft chain	1	
16	AP0840371	Hex socket screw M6x11,5	6	
17	AP0247980	Bush 8,2x12x25	1	
18	AP0240960	Spacer screw	2	
19	AP0634735	Timing system gear	1	

Group	ENGINE
Code	29.57
Description	Rear cylinder timing system
Service	1



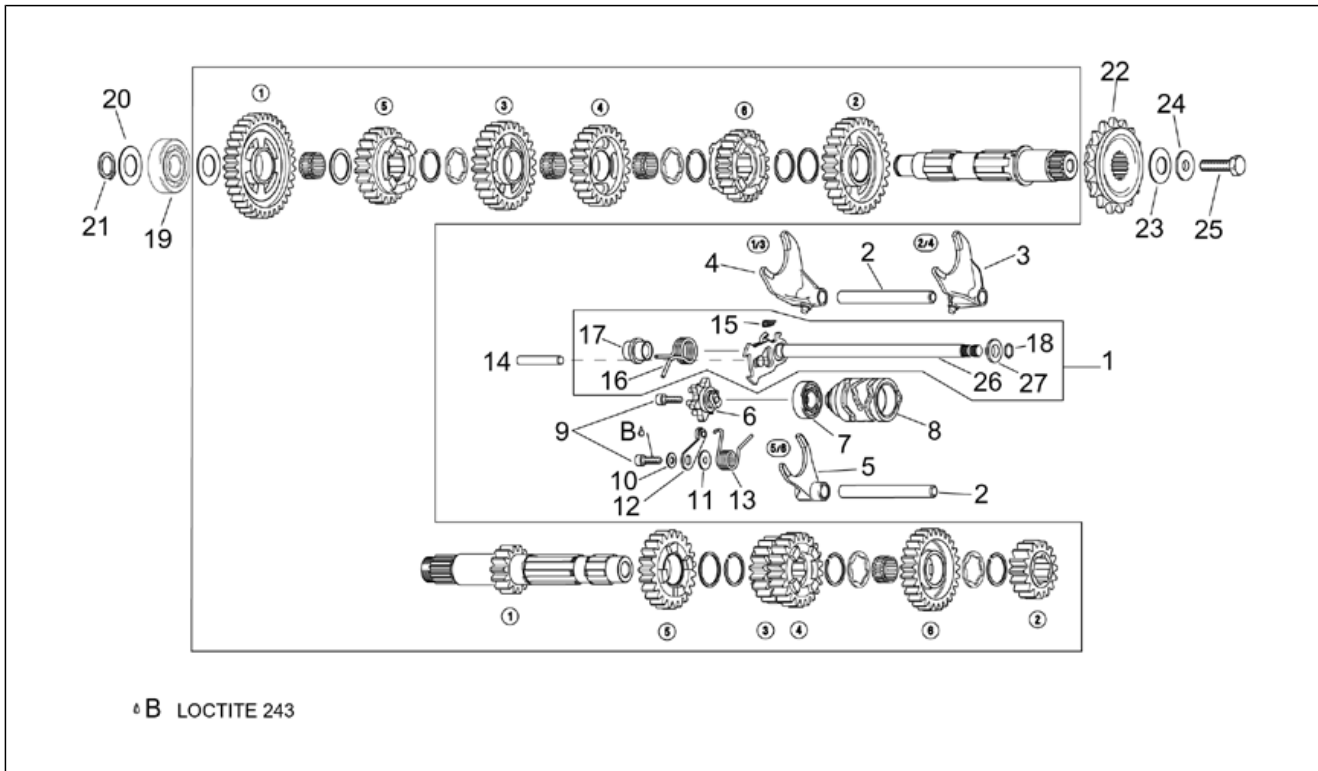
Pos.	Code	Description	Qty	Variants
1	AP0220440	Upper balance shaft	1	
2	AP0832360	Ball bearing 16002	1	
3	AP0250130	Oil seal 15x24x5	1	
4	AP0211681	Bushing plate cpl.	1	
5	AP0236300	Chain guide	1	
6	AP0236310	Chain guide	1	
7	AP0940560	Hex screw	2	
8	AP0244211	Washer 6,4	2	
9	AP0236380	Chain guide	1	
10	AP0941121	Hex screw	2	
11	AP0827305	Washer 6,2x18x2	2	
12	AP0220385	Exhaust camshaft	1	
13	AP0220380	Intake camshaft	1	
14	AP0634730	Timing system gear	2	
15	AP0627190	Washer 16,7x29x1	1	
16	AP0840371	Hex socket screw M6x11,5	3	
17	AP0246055	Transmission key 3x3,7	1	
18	AP0295775	Upper balance shaft gear cpl.	1	
19	AP0297955	Camshaft chain	1	
20	AP0219340	Counterweight	1	
21	AP0942570	Nut m14	1	
22	AP0840391	Hex socket screw	3	
23	AP0632161	Roller cage 16x22x10	2	
24	AP0295760	Timing system gear cpl.	1	
25	AP0211756	Roller cage plate	1	
26	AP0929500	Pin 10x8	2	
27	AP0247980	Bush 8,2x12x25	1	
28	AP0940631	Hex screw	1	

Group	ENGINE
Code	29.57
Description	Rear cylinder timing system
Service	1



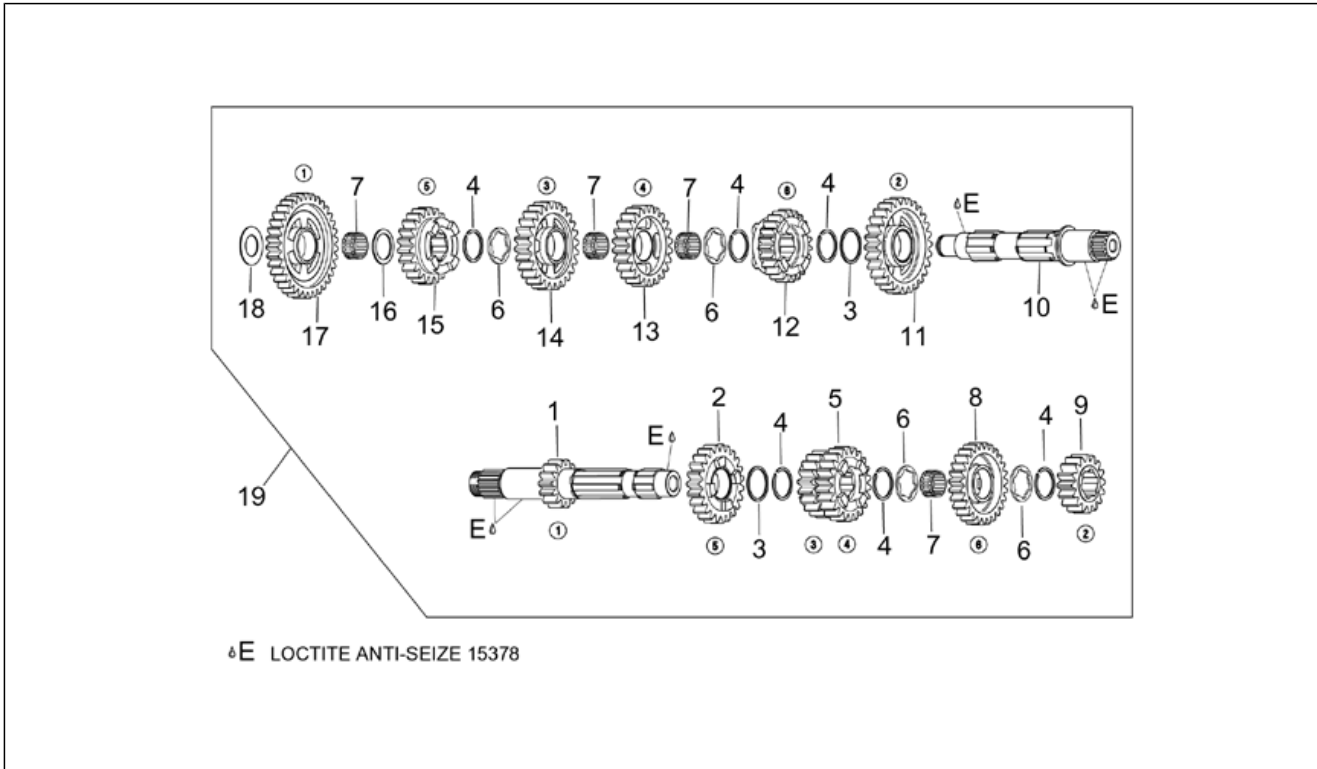
Pos.	Code	Description	Qty	Variants
29	AP0240275	Hex screw	2	
30	AP0845030	Spring washer b8	3	

Group	ENGINE
Code	29.58
Description	Gear box selector
Service	1



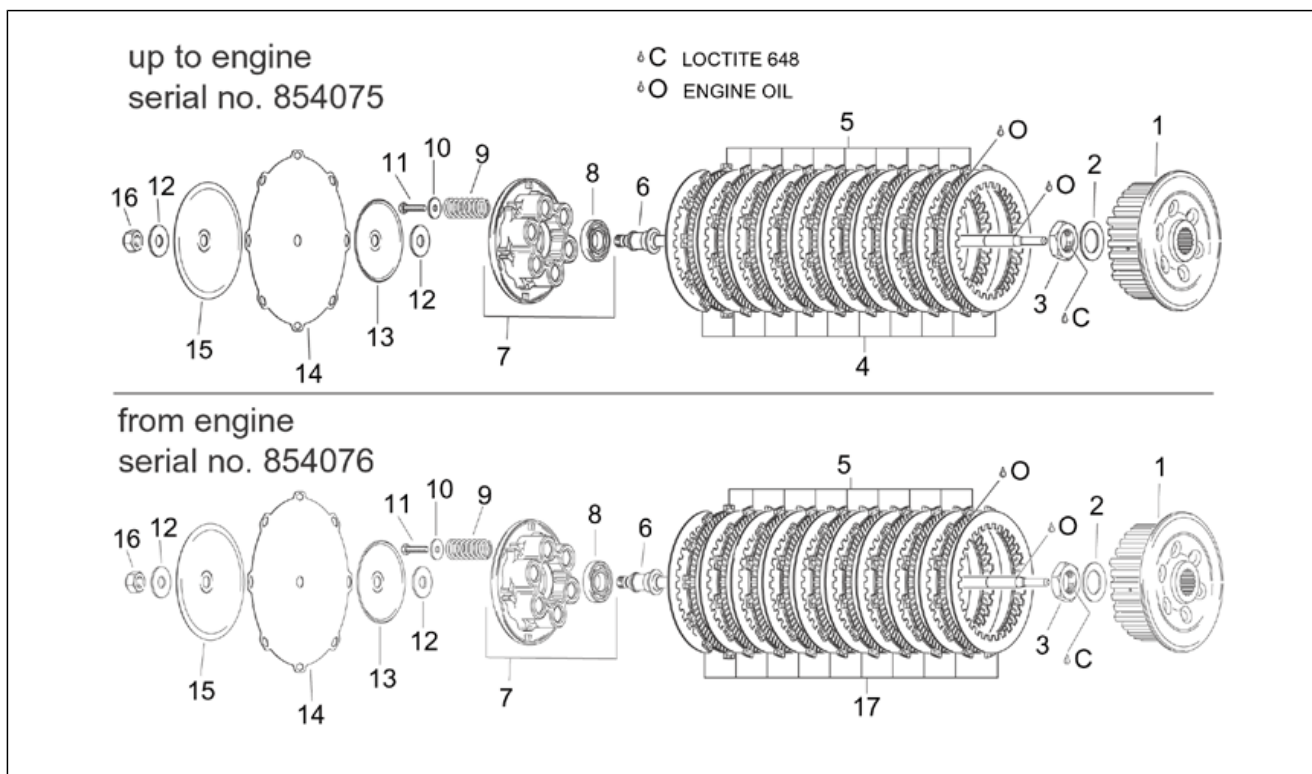
Pos.	Code	Description	Qty	Variants
1	AP0220437	Gear shaft+spring cpl.	1	
2	AP0258380	Fork shaft	2	
3	AP0258361	Fork	1	
4	AP0258351	Fork	1	
5	AP0258375	Fork	1	
6	AP0258310	Index washer	1	
7	AP0932335	Ball bearing 16101	1	
8	AP0258325	Shift cam	1	
9	AP0241932	Hex socket screw	2	
10	AP0244211	Washer 6,4	1	
11	AP0227716	Washer	1	
12	AP0248375	Index assy. lever	1	
13	AP0239247	Index spring	1	
14	AP0229385	Pin	1	
15	AP0239430	Spring	1	
16	AP0239420	Pin spring	1	
17	AP0247940	Bush	1	
18	AP0245440	Circlip	1	
19	AP0832144	Ball bearing 6304	1	
20	AP0227442	Washer 20,2x27,5	1	
21	AP0945665	Circlip 20x1,75	1	
22	AP0236365	Rubbered pinion	1	
23	AP0239450	Spring washer 34x16,3	1	
24	AP0627210	Washer	1	
25	AP0940741	Hex screw	1	
26	AP0220435	Gear shaft+ratchet gear cpl.	1	
27	AP0227714	Washer	1	

Group	ENGINE
Code	29.59
Description	Gear box
Service	1



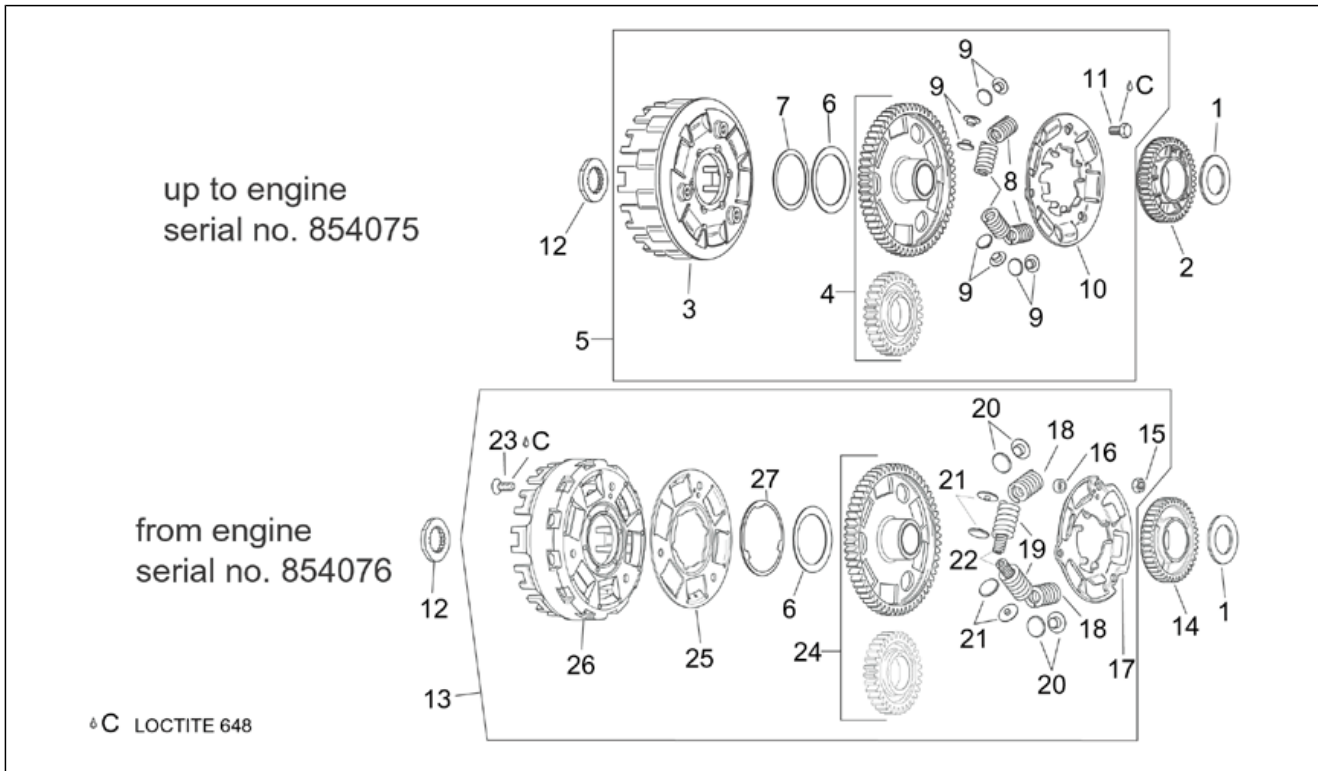
Pos.	Code	Description	Qty	Variants
1	AP0220390	Primary gear shaft assy.	1	
2	AP0634695	5th pinion gear	1	
3	AP0627120	Washer 29,2x33,5	2	
4	AP0245815	Circlip 28x2	6	
5	AP0634660	3rd-4th pinion gear	1	
6	AP0627132	Washer 25,35x34,5	4	
7	AP0632070	Roller cage 25x29x13	4	
8	AP0634710	6th pinion gear	1	
9	AP0634640	2nd pinion gear	1	
10	AP0220400	Driven shaft	1	
11	AP0634655	2nd wheel gear	1	
12	AP0634720	6th wheel gear	1	
13	AP0634670	4th wheel gear	1	
14	AP0634680	3rd wheel gear	1	
15	AP0634700	5th wheel gear	1	
16	AP0427106	Washer 25,3x33,5	1	
17	AP0634620	1st wheel gear	1	
18	AP0827110	Washer 20,5x37x1	1	
19	AP0281222	Gear box cpl.6 speed	1	

Group	ENGINE
Code	29.60
Description	Clutch I
Service	1



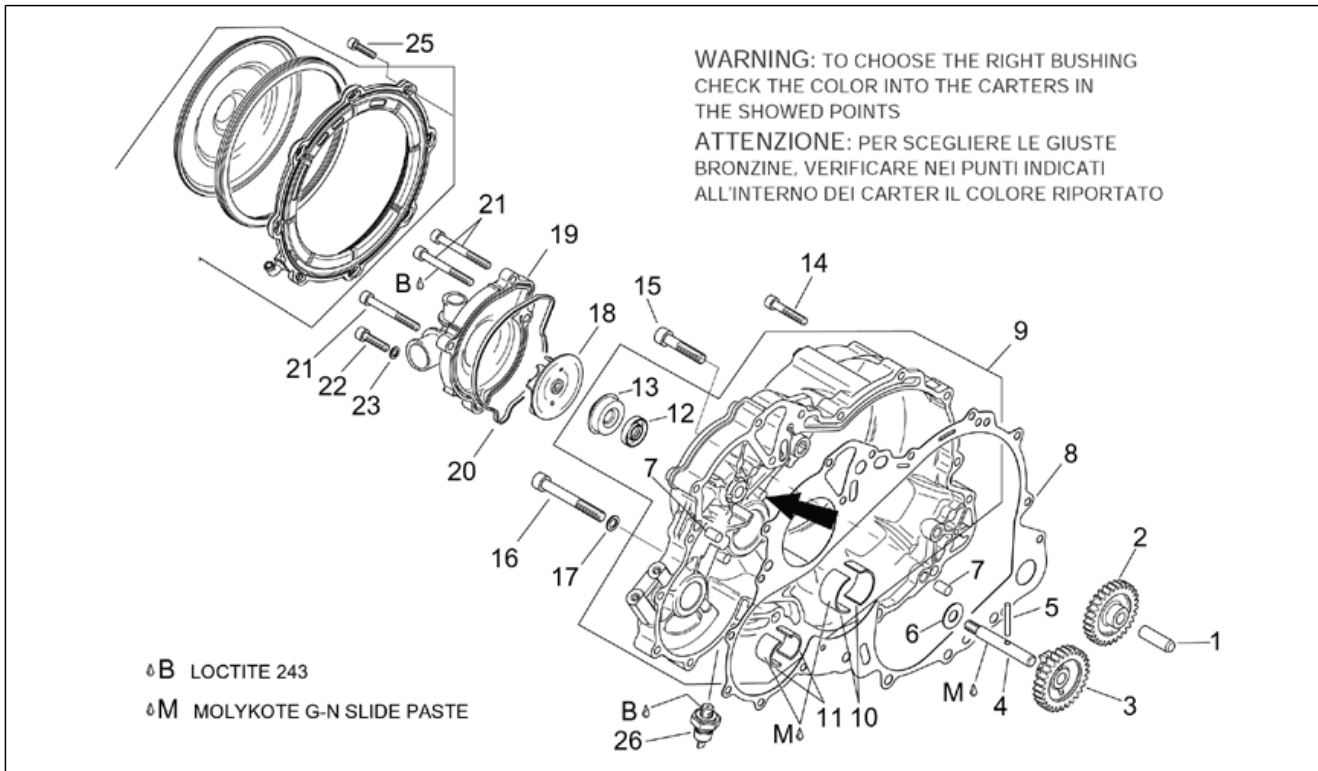
Pos.	Code	Description	Qty	Variants
1	AP0259520	Clutch hub	1	
2	AP0245830	Spring washer 24,5x40	1	
3	AP0242950	Nut m24x1,5	1	
4	AP8106959	Steel clutch disc 9 pz.	1	
5	AP8106960	Lined clutch disc 8 pz.	1	
6	AP0220455	Clutch shaft cpl.	1	
7	AP0259517	Springholder plate cpl.	1	
8	AP0632130	Ball bearing 16004	1	
9	AP0239480	Clutch spring	6	
10	AP0627530	Washer	6	
11	AP0240036	Hex screw	6	
12	AP0227180	Washer 12,2x32x2	2	
13	AP0627230	Support disc	1	
14	AP0260890	Diaphragm	1	
15	AP0627280	Pressure plate	1	
16	AP0442130	Nut m12	1	
17	AP8106915	Steel clutch discs 10 pc.	1	

Group	ENGINE
Code	29.61
Description	Clutch II
Service	1



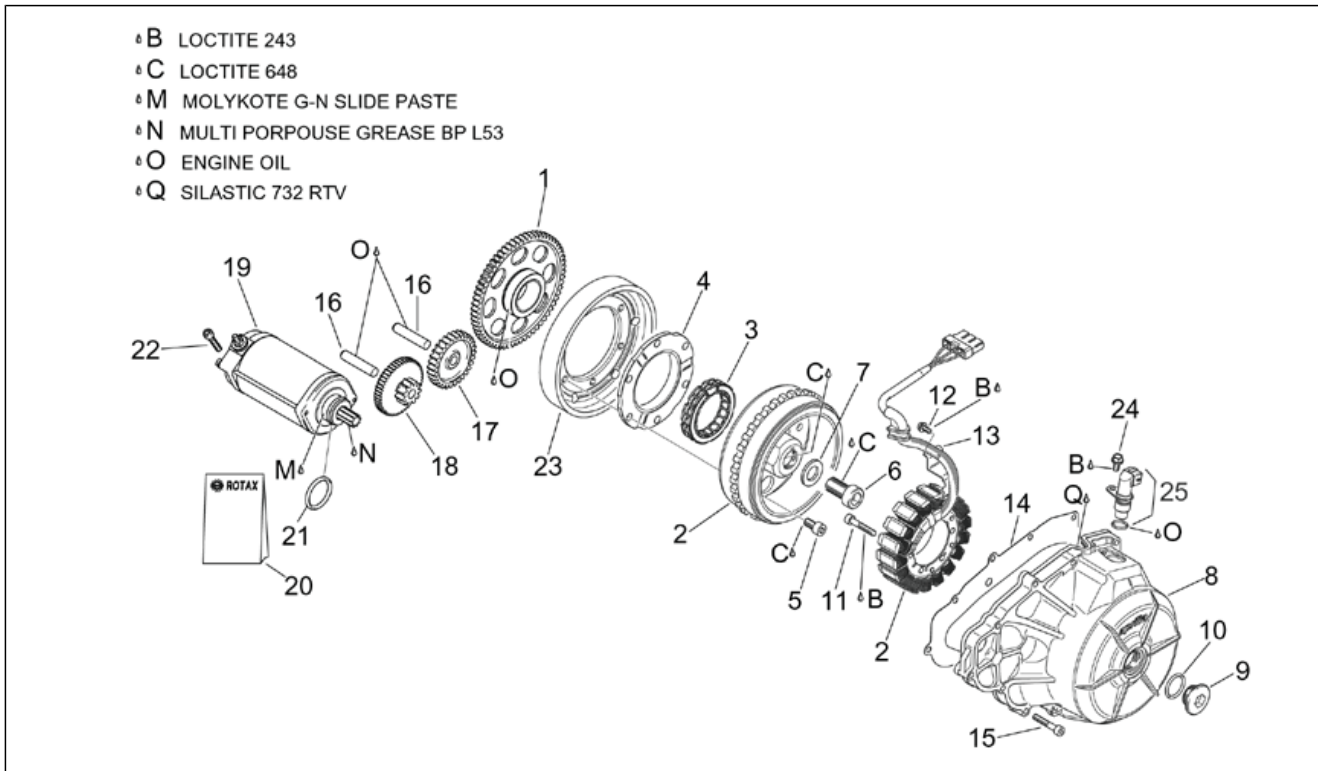
Pos.	Code	Description	Qty	Variants
1	AP0627260	Washer 30,2x50	1	
2	AP0634470	Oil pump gear z=42	1	
3	AP0259530	Clutch drum	1	
4	AP0295780	Primary drive gear	1	
5	AP0295790	Primary transm.	1	
6	AP0239390	Spring washer 68x52x1,2	1	
7	AP0627140	Washer 52x62x1	1	
8	AP0239370	Spring	6	
9	AP0247970	Bush	12	
10	AP0259580	Springholder plate	1	
11	AP0940580	screw	3	
12	AP0627220	Washer 25x44,4x5	1	
13	AP0295792	Primary transm.	1	
14	AP0634475	Oil pump gear z=42	1	
15	AP0242206	Nut M8	3	
16	AP0247614	Spacer	3	
17	AP0259582	Springholder plate	1	
18	AP0238130	Spring	2	
19	AP0238135	Spring	4	
20	AP0247974	Bush D11,5	4	
21	AP0247972	Bush D5,5	4	
22	AP0238140	Spring	4	
23	AP0941835	screw M8x25	3	
24	AP0295782	Primary drive gear	1	
25	AP0259587	Springholder plate	1	
26	AP0259535	Clutch drum	1	
27	AP0627910	Thrust washer	1	

Group	ENGINE
Code	29.62
Description	Water pump
Service	1



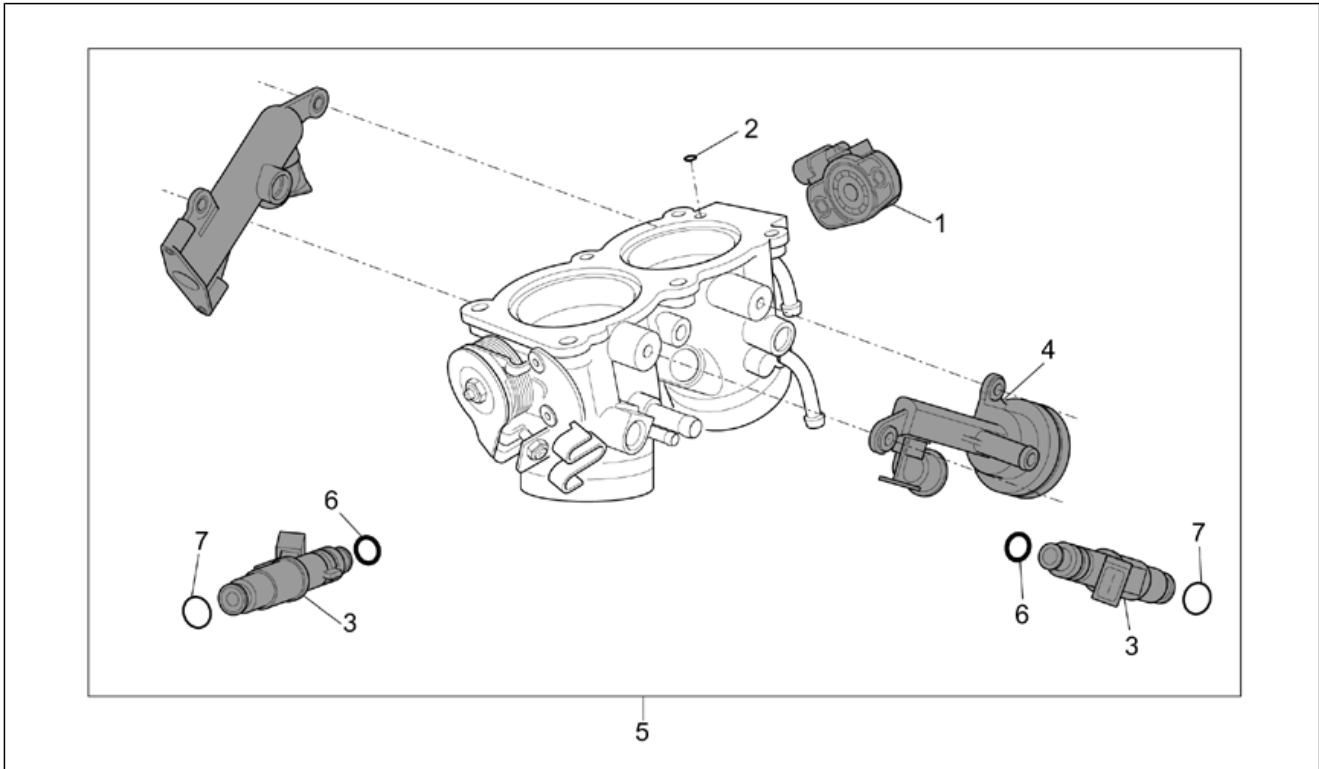
Pos.	Code	Description	Qty	Variants
1	AP0929930	Pin	1	
2	AP0634500	Idle gear	1	
3	AP0634490	Water pump gear	1	
4	AP0220410	Water pump shaft assy.	1	
5	AP0232430	Pin	1	
6	AP0227685	Washer 10,1x22x1	1	
7	AP0632010	Pin M8x12	2	
8	AP0650330	Gasket	1	
9	AP0610151	Clutch cover	1	
10	AP0233790	Bushing half-shell, blue	2	
10	AP0233791	Bushing half-shell, red	2	
10	AP0233793	Bushing half-shell, yellow	2	
11	AP0233780	Bearing half-shell 20x24x16	2	
12	AP0650310	Oil seal 10x25x5	1	
13	AP0650370	Pump mechanical seal	1	
14	AP0241811	Hex socket screw	11	
15	AP0840681	Hex socket screw M8x40	3	
16	AP0841841	Hex socket screw	1	
17	AP0950141	Gasket ring 8x13	1	
18	AP0222500	Impeller	1	
19	AP0222512	Water pump casing	1	
20	AP0650240	Gasket	1	
21	AP0240331	Hex socket screw	3	
22	AP0840861	Hex socket screw M6x25	1	
23	AP0230415	Gasket ring 6x10	1	
24	AP0211778	Diaphragm disc cpl.	1	
25	AP0240181	Hex socket screw	8	
26	AP0956169	Oil pressure switch	1	

Group	ENGINE
Code	29.63
Description	Ignition unit
Service	1



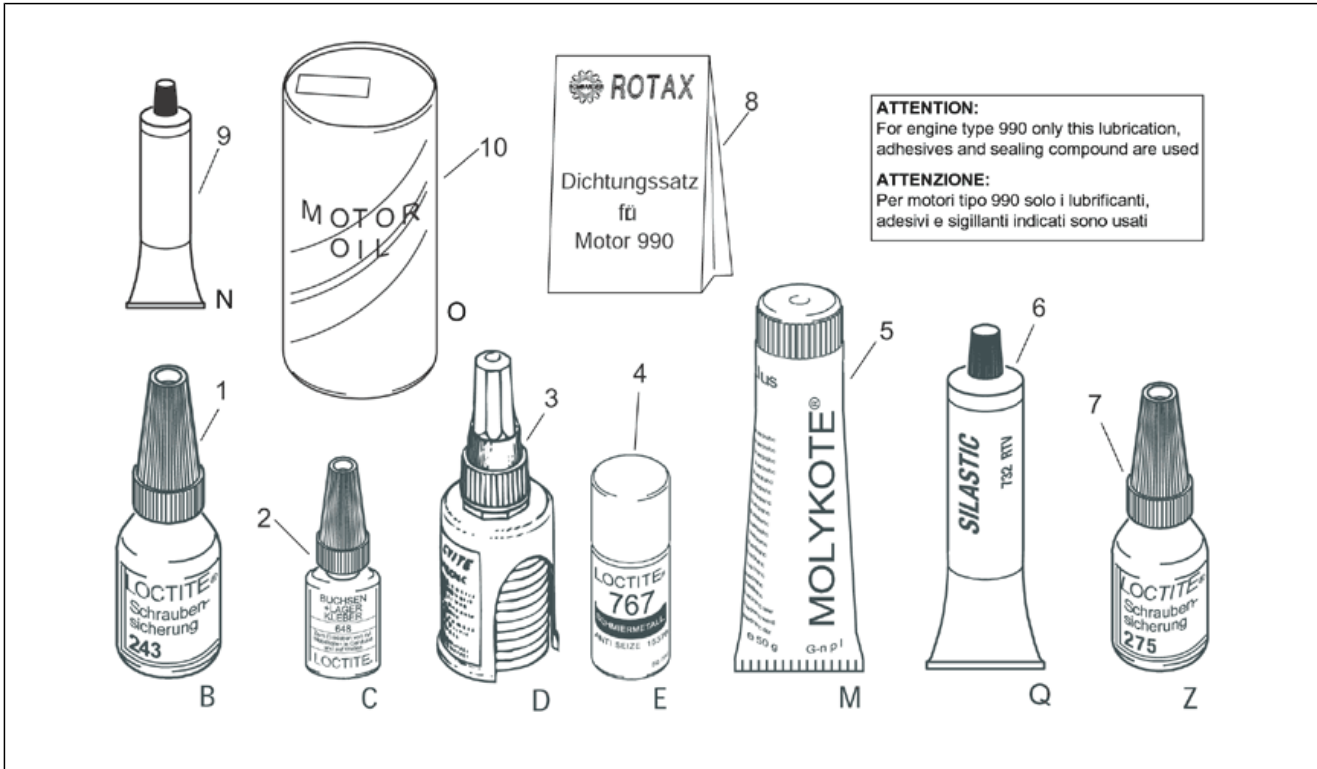
Pos.	Code	Description	Qty	Variants
1	AP0634595	Sprag clutch gear z=64	1	
2	AP0295835	Ignition unit 12V-420W	1	
3	AP0659110	Sprag clutch	1	
4	AP0659125	Sprag clutch housing	1	
5	AP0641505	Hex socket screw	6	
6	AP0241541	Hex socket screw m16x30	1	
7	AP0627270	Washer a17	1	
8	AP0211655	Ignition cover	1	
9	AP0241631	Cover m24x1,5	1	
10	AP0430782	O-ring 23,3x2,4	1	
11	AP0241816	Hex socket screw M6x40	3	
12	AP0941935	Self-tap screw M5x12	1	
13	AP0251160	Cable protection	1	
14	AP0650340	Gasket	1	
15	AP0241811	Hex socket screw	12	
16	AP0229301	Pin M6x50	2	
17	AP0634600	Idle gear	1	
18	AP0634740	Double gear	1	
19	AP0294356	Starter motor cpl.	1	
20	AP0294352	Starter motor revision kit	1	
21	AP0250140	O-ring 24,4x3,1	1	
22	AP0840882	Hex socket screw	2	
23	AP0265040	Flywheel rotor	1	
24	AP0240385	Screw w/ flange	1	
25	AP8124865	Drive shaft pos.sensor	1	

Group	ENGINE
Code	29.64
Description	Throttle body
Service	1



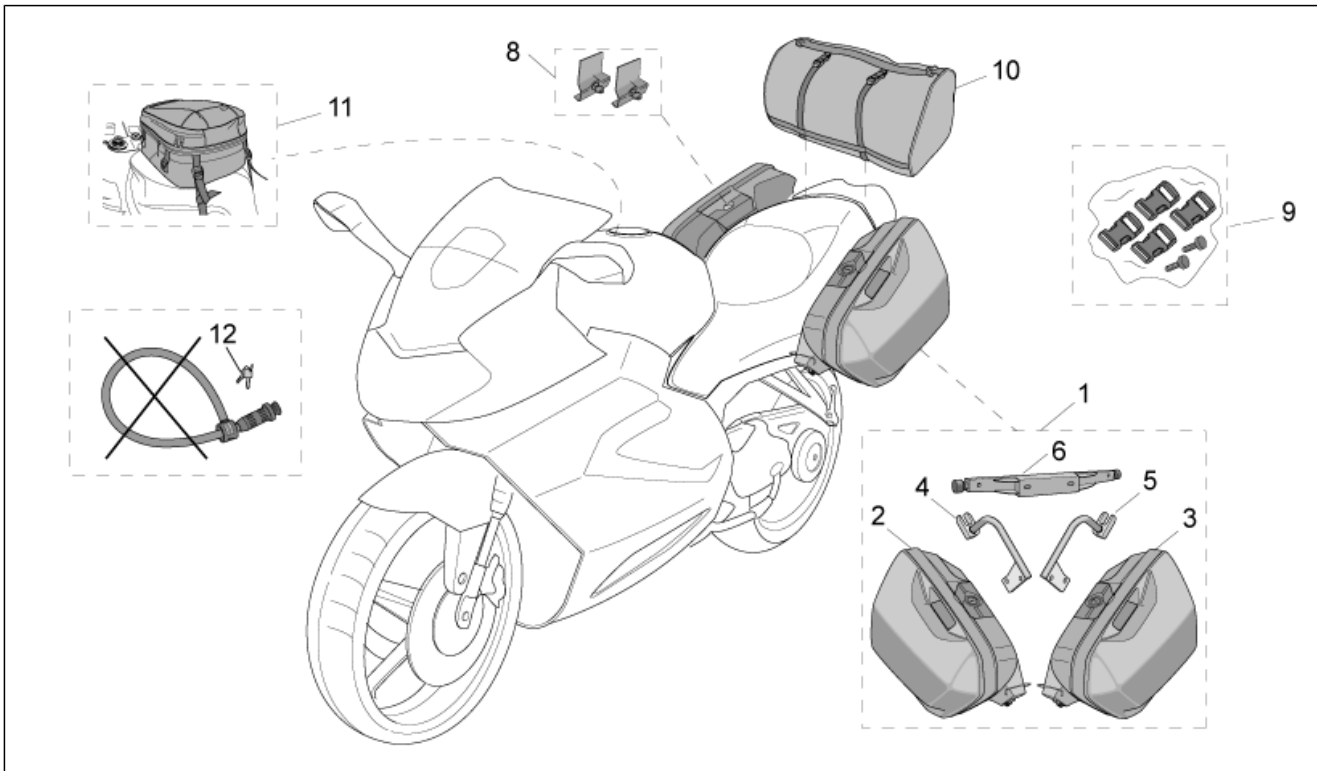
Pos.	Code	Description	Qty	Variants
1	AP8124866	Throttle body sensor	1	
2	AP8120965	O-ring 2018	1	
3	AP8106889	Injection valve cpl.	2	
4	AP8106771	Fuel pressure regulator	1	
5	AP8106884	Throttle body cpl.	1	
6	AP8144483	O-ring	2	
7	AP8144485	O-ring	2	

Group	ENGINE
Code	29.65
Description	Sealing and lubricating agents
Service	1



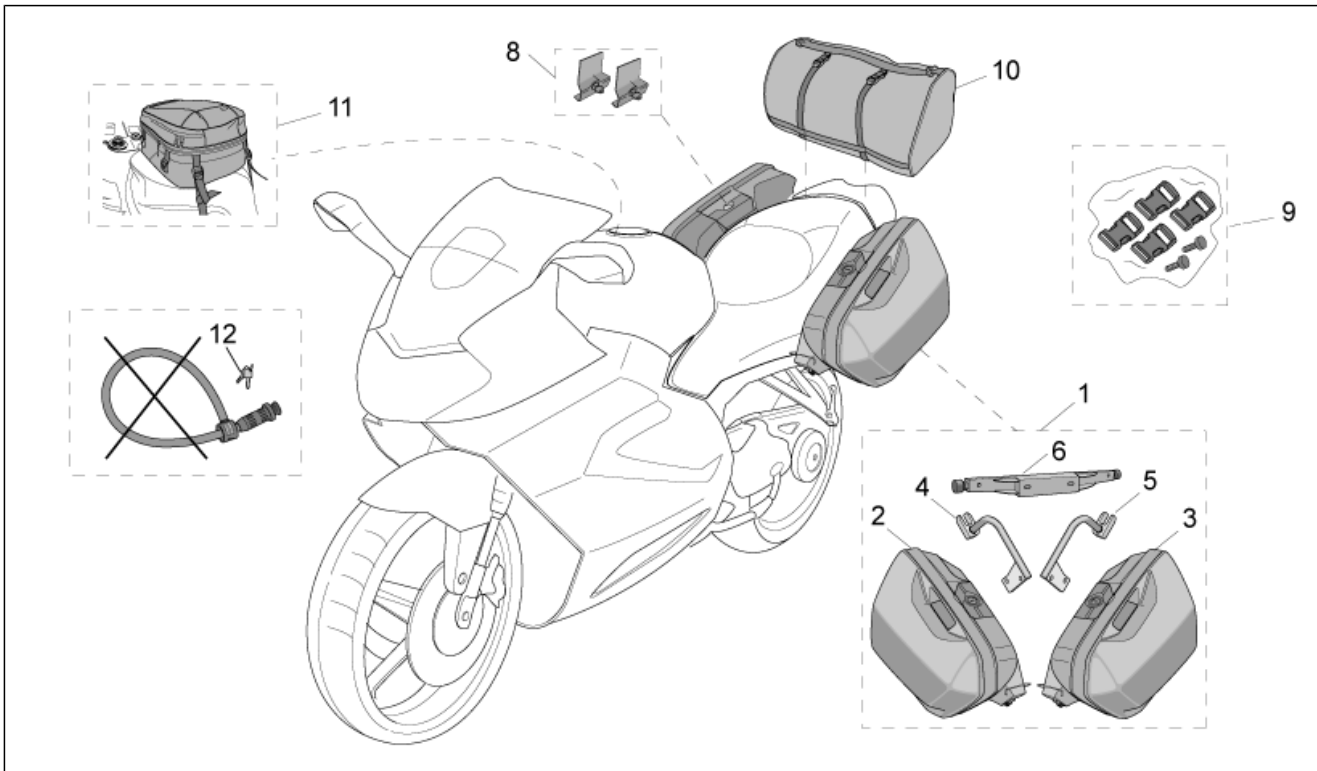
Pos.	Code	Description	Qty	Variants
1	AP0897651	Loctite (blue) 243 10cc.	1	
2	AP0899788	Loctite (green) 648 5gr.	1	
3	AP0899784	Loctite (orange) 574	1	
4	AP0297434	Loctite Anti Seize 50ml.15378	1	
5	AP0297433	Molykote G-N 50gr.	1	
6	AP0297386	Silastic 732 Rtv 100 gr.	1	
7	AP0898011	Loctite 275	1	
8	AP0296170	Gasket set	1	
9	0000000	Tyre	1	
10	0000000	Tyre	1	

Group	ACCESSORIES
Code	30.66
Description	Acc.-Top/cases,side cases var
Service	1



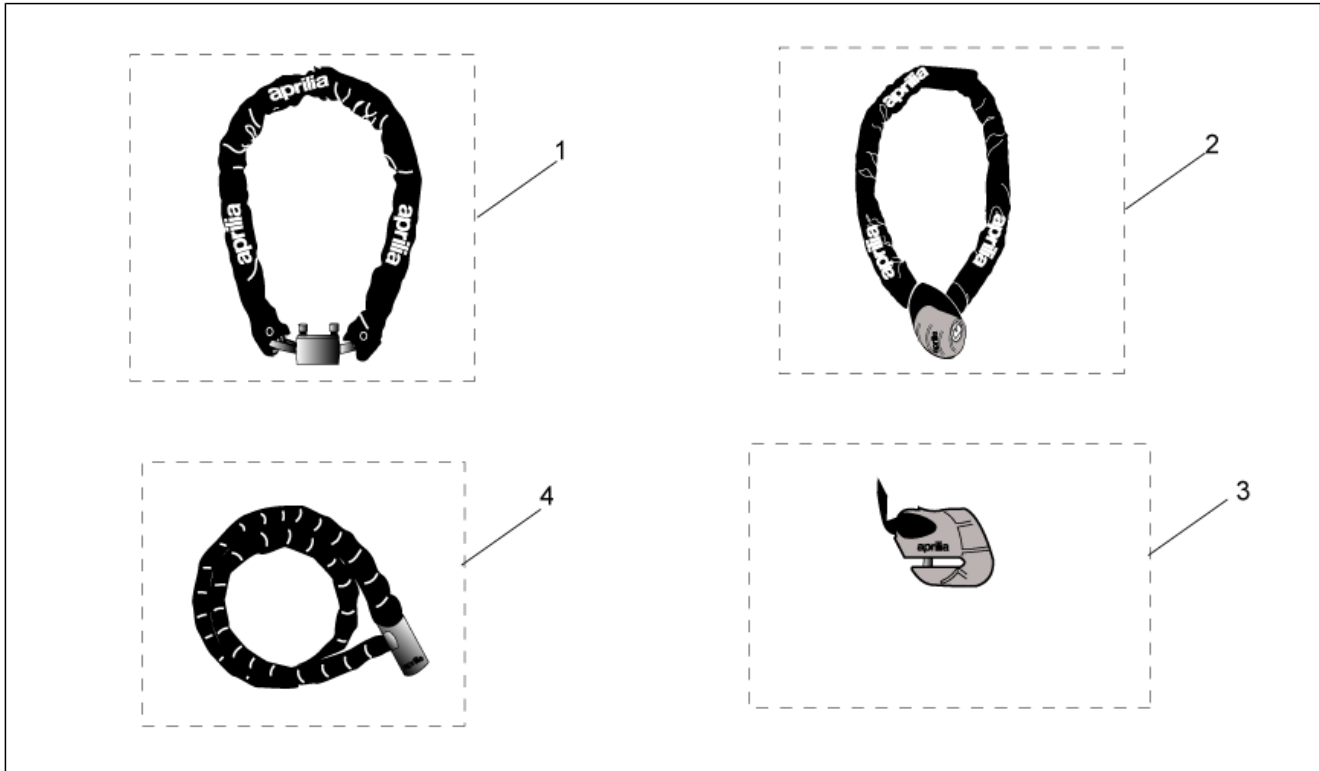
Pos.	Code	Description	Qty	Variants
1	AP8790257	Case assy.-pair, s.grey	1	Year:2003[3] Technical Specifications:Accessories[A]
1	AP8792176	Case assy.-pair, f.red	1	Year:2001[1], 2002[2] Technical Specifications:Accessories[A]
1	AP8792177	Case assy.-pair, i.blue	1	Year:2001[1], 2002[2] Technical Specifications:Accessories[A]
1	AP8792381	Case assy.-pair, p.black	1	Technical Specifications:Accessories[A]
2	AP8790258	RH case, s.grey	1	Year:2003[3] Technical Specifications:Accessories[A]
2	AP8792178	RH case, s.silver	1	Year:2001[1], 2002[2] Technical Specifications:Accessories[A]
2	AP8792180	RH case, f.red	1	Year:2001[1], 2002[2] Technical Specifications:Accessories[A]
2	AP8792182	RH case, i.blue	1	Year:2001[1], 2002[2] Technical Specifications:Accessories[A]
2	AP8792233	RH case, a.grey	1	Year:2002[2] Technical Specifications:Accessories[A]
2	AP8792382	RH case, p.black	1	Technical Specifications:Accessories[A]
3	AP8790259	LH case, s.grey	1	Year:2003[3] Technical Specifications:Accessories[A]
3	AP8792179	LH case, s.grey	1	Year:2001[1], 2002[2] Technical Specifications:Accessories[A]
3	AP8792181	LH case, f.red	1	Year:2001[1], 2002[2] Technical Specifications:Accessories[A]
3	AP8792183	LH case, i.blue	1	Year:2001[1], 2002[2] Technical Specifications:Accessories[A]
3	AP8792234	LH case, a.grey	1	Year:2002[2] Technical Specifications:Accessories[A]
3	AP8792383	LH case, p.black	1	Technical Specifications:Accessories[A]
4	AP8792185	RH top support kit, met.Grey	1	Technical Specifications:Accessories[A]
4	AP8792392	Kit supp.alto dx p.black	1	Technical Specifications:Accessories[A]

Group	ACCESSORIES
Code	30.66
Description	Acc.-Top/cases,side cases var
Service	1



Pos.	Code	Description	Qty	Variants
5	AP8792186	LH top support kit, met.Grey	1	Technical Specifications: Accessories[A]
5	AP8792393	LH top support kit, met.Grey	1	Technical Specifications: Accessories[A]
6	AP8792187	Rest, metallic grey	1	Technical Specifications: Accessories[A]
6	AP8792394	Rest, metallic p.black	1	Technical Specifications: Accessories[A]
8	AP8792184	Lockup levers assy.pair, grey	1	Technical Specifications: Accessories[A]
8	AP8792391	Lockup lev.assy.pair, p.black	1	Technical Specifications: Accessories[A]
9	AP8792188	elastic/rubber kit	1	Technical Specifications: Accessories[A]
10	AP8792152	Rear saddlebag	1	Technical Specifications: Accessories[A]
11	AP8792156	Tank pack	1	Technical Specifications: Accessories[A]
12	AP8700792	Key support B.Guard UK-D	1	Technical Specifications: Accessories[A]
12	AP8700793	Key support B.Guard F-NL	1	Technical Specifications: Accessories[A]
12	AP8700794	Key support B.Guard I-E	1	Technical Specifications: Accessories[A]

Group	ACCESSORIES
Code	30.67
Description	Acc. - Mechanics anti-theft
Service	1



Pos.	Code	Description	Qty	Variants
1	AP8720115	Iron Guard 10x150 mm	1	Technical Specifications:Accessories[A]
2	AP8720116	Iron Guard 8x120 mm	1	Technical Specifications:Accessories[A]
3	AP8720117	Iron Guard Disk 5 mm	1	Technical Specifications:Accessories[A]
4	AP8720118	Easy Guard 150 mm	1	Technical Specifications:Accessories[A]